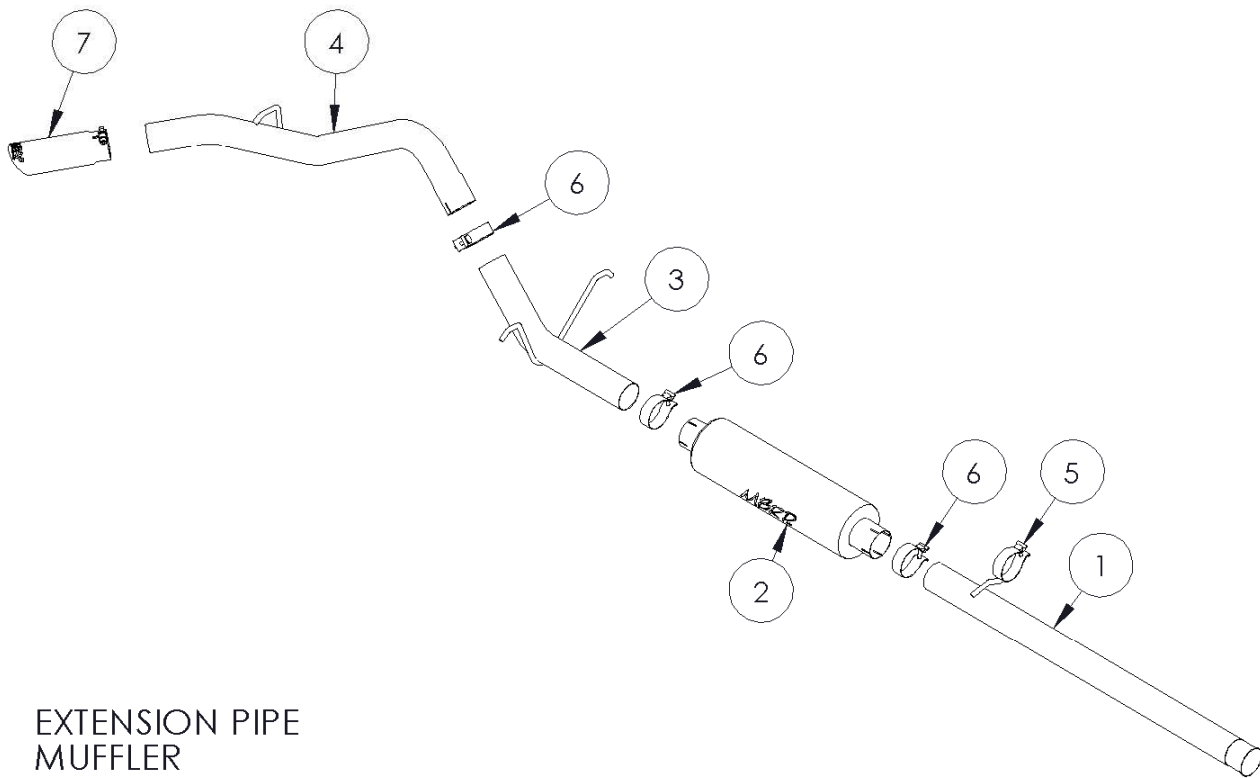


S5054

'09-'13 CHEVY SILVERADO/GMC SIERRA
1500 SERIES, EXCLUDES EXTENDED CAB 8'
BED, 4.8L, 5.3L & 6.0L, CAT BACK SINGLE

MBRP INC.
PERFORMANCE EXHAUST



1. EXTENSION PIPE
2. MUFFLER
3. OVER AXLE PIPE
4. TAIL PIPE
5. HANGER CLAMP
6. 3" CLAMP (3PCS)
7. EXHAUST TIP

NOTE: SADDLE CLAMPS USED IN ALUMINIZED SYSTEMS

PLEASE READ BEFORE STARTING INSTALLATION

While MBRP Inc. has made every effort to ensure that all components of this system are of superior quality and properly packaged, it is the installer's responsibility to ensure the following before removal of the factory exhaust:

- that ALL components shown above are present.
- that ALL mating components fit together.
- that there are no damaged components.
- that the system you have purchased is appropriate for your vehicle year, model and configuration.
- that the system will not interfere with any modifications previously installed or planned.
- that you have read and understand these instructions.

If you have any questions or are uncertain about any aspect of the installation of this system to your vehicle please contact your dealer before commencing installation.

'09-'13 Chevy/GMC Silverado/Sierra 1500

Removal of Stock System



Figure 1

1. Apply a penetrating lubricant liberally to all exhaust fasteners, hangers and rubber insulators.
2. Remove the clamp after the catalytic converter and save the clamp for the installation. **Refer to Figure 1.**



Figure 2

3. Remove the hangers from the rubber insulators and remove the exhaust from the vehicle. The tail pipe will need to be cut to clear the rear axle. **Refer to Figure 2.**

4. Remove the hangers from the rubber insulators and remove the exhaust from the vehicle. **Refer to Figure 3.**

Installation of MBRP Inc. Performance Exhaust

1. Install the Extension Pipe to the existing flange using the clamp removed earlier. Leave the hardware loose enough for some adjustment. **Refer to Figure 3.** The **Extension Pipe** will not need cutting for the Crew Cab short bed or the Extended Cab long bed. Refer to **Figure 4** for cut lengths. (**Installation tip:** Temporarily hang the **Muffler** and the **Over Axle Tail Pipe** in place and measure to the back of the Catalytic Converter to verify the length required).



Figure 3

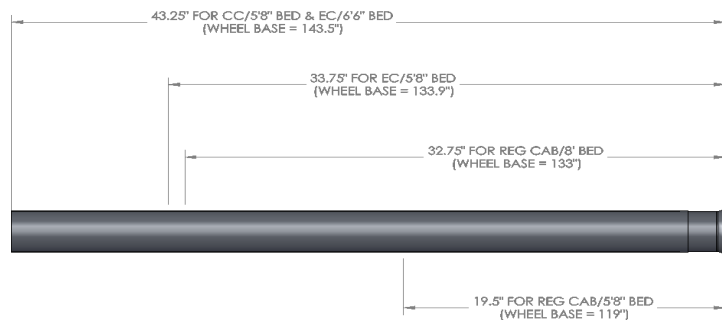


Figure 4



Figure 5

2. Slide the **Hanger Clamp** onto the rear of the **Extension Pipe** and into the existing rubber insulator. **Refer to Figure 5.** Note: an addition **3\"**



Figure 6

3. Install **Muffler** onto the **Extension Pipe** using the Hanger Clamp. **Refer to Figure 6.**

4. Slide a **3” Clamp** onto the rear of the **Muffler**. Feed the **Over Axle Pipe** into the rear of the **Muffler**. Install the hangers on the Over Axle Pipe onto the factory rubber insulators **Refer to Figure 7**



Figure 7

5. Install the **Tail Pipe** hanger into the factory rubber insulator located directly above the hanger and attach to the **Over Axle Pipe** using a **3” Clamp**. **Refer to Figure 8**

6. Install and adjust the **Exhaust Tip** to suit. Using a 17mm wrench tighten the bolt located on the **Exhaust Tip**. **Refer to Figure 9**

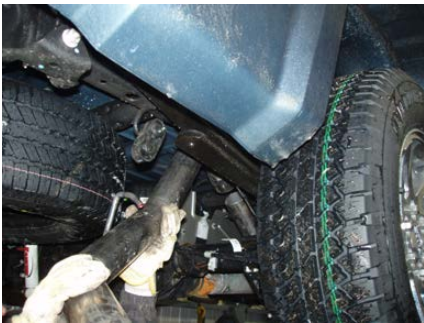


Figure 8

7. Align the exhaust as required before tightening clamps. Starting at the front of the exhaust tighten all clamps and connections.

8. Check along the length of the exhaust system to ensure that there is adequate clearance around the spare tire, fuel and brake lines or any wiring. If any interference is detected relocate or adjust.



Figure 9



Congratulations! You are ready to begin experiencing the improved power, sound and driving excitement of your MBRP Inc. performance exhaust system. We know you will enjoy your purchase.