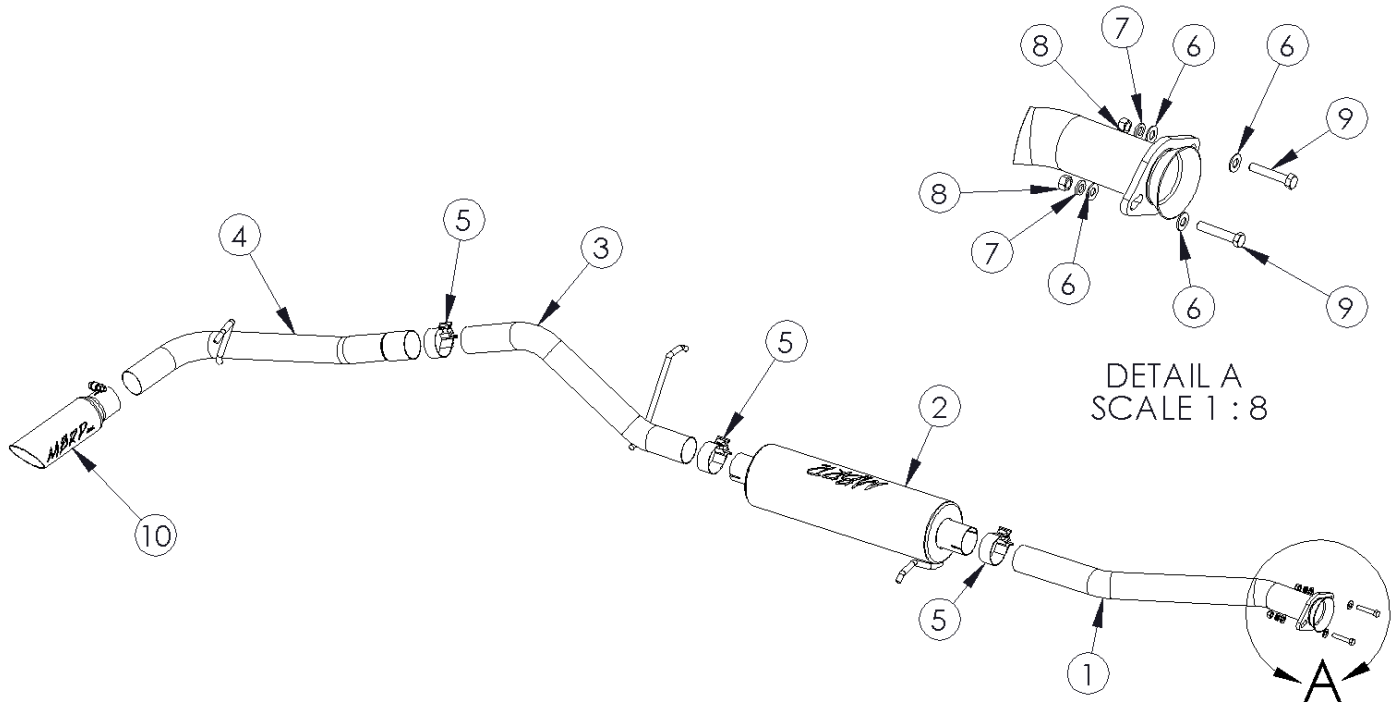


S5046 S5047

2004-12 CHEVY COLORADO/GMC
CANYON, 2.8L/2.9L/3.5L/3.7L,
EC/CC-SB, CAT BACK, SINGLE SIDE

MBRP
INC.
PERFORMANCE EXHAUST



PLEASE READ BEFORE STARTING INSTALLATION

While MBRP Inc. has made every effort to ensure that all components of this system are of superior quality and properly packaged, it is the installer's responsibility to ensure the following before removal of the factory exhaust:

- that ALL components shown above are present.
- that ALL mating components fit together.
- that there are no damaged components.
- that the system you have purchased is appropriate for your vehicle year, model and configuration.
- that the system will not interfere with any modifications previously installed or planned.
- that you have read and understand these instructions.

If you have any questions or are uncertain about any aspect of the installation of this system to your vehicle please contact your dealer before commencing installation.

2004-2012 Chev Colorado, GMC Canyon

Removal of Stock System:



Figure 1

1. Apply a penetrating lubricant liberally to all exhaust fasteners, hangers and rubber insulators.



Figure 2

2. Cut the exhaust in front of the muffler so that it can be removed from the vehicle. **Refer to Figure 1.**

3. Remove the nuts from the studs holding the front flange together and disconnect the exhaust system. **Refer to Figure 2. Do not discard nuts as they are required for the installation.**

4. Remove the hangers from the rubber insulators. Remove the exhaust from the vehicle. **Refer to Figure 3.**



Figure 3

Installation of MBRP Inc. Performance Exhaust:

1. Install the Extension Pipe to the existing flange using the fasteners provided. **Refer to Figure 4.**



Figure 4

2. Slide a **Clamp** over the **Extension Pipe** and install the **Muffler** onto the **Extension Pipe**. Attach the **Muffler** to the existing rubber insulator. **Refer to Figure 5.**

3. Slide a **Clamp** over the outlet side of the **Muffler**. Position the **Over Axle Pipe** and loosely attach it to the **Muffler**. Install the **Over Axle Pipe** hanger into the existing rubber insulator. **Refer to Figure 6.**



Figure 5

4. Slide a **Clamp** over the **Tail Pipe** and install onto the **Over Axle Pipe**. Refer to **Figure 7**.



Figure 6

5. Slide the **Tail Pipe** hanger into rearmost rubber insulator. Refer to **Figure 7**.



Figure 7

6. Install and adjust the **Exhaust Tip** to suit. Using a 17mm wrench tighten the lock bolt located on the **Exhaust Tip**. Refer to **Figure 8**.



Figure 8

7. Align the exhaust as required. Starting at the front of the exhaust, tighten all clamps and connections.

8. Check along the whole length of the exhaust system to ensure that there is adequate clearance around the spare tire, fuel and brake lines or any wiring. If any interference is detected relocate or adjust.



Congratulations! You are ready to begin experiencing the improved power, sound and driving experience of your MBRP Inc. performance exhaust system. We hope you enjoy your purchase.