



# MaxTrac

s u s p e n s i o n



**LIFTING**



**LEVELING**



**LOWERING**

**SUSPENSION CATALOGUE**



**MaxTrac**  
S U S P E N S I O N

LIFTING

LEVELING

LIFTING

LEVELING

LOWERING

**MAX TRAC SUSPENSION <<<<<**



Maxtrac Suspension was founded in 2010 by a group of truck enthusiasts who share the same passion about building quality suspension products while keeping the price affordable. Together with decades of experience and knowledge that the group had built, we set off to build our name into a brand that will be recognized as one of the best in the industry. We take tremendous pride and dedication in providing the highest quality products while passing on the savings to you, our customer on everything we make here at our facility in Anaheim, CA.

The one thing that sets Maxtrac apart from other suspension manufacturers is that we provide three types of suspension product lines; Lifting, Leveling, and Lowering.

Our large line of lowering and lifting spindles provide the cornerstone for many of our suspension kits, providing a true stock ride quality with maximum ride comfort.

With these ultra-durable, bulletproof products, with height options from 1" all the way to 7" either way, Maxtrac has you covered.



**LIFTING <<<<<**

We use our uniquely designed lift spindles as the cornerstone of our lift systems. The combination of spindles and spacers or springs provide superior ground clearance over traditional drop-down bracket kits.

All of Maxtrac's systems are 100% bolt on installation, requiring little to no modification of the vehicle.



**LEVELING <<<<<**

Why pay more? Maxtrac provides superior quality leveling kits, all with parts hand fabricated in the U.S. for all trucks and SUVs, at a fraction of the competition's price. By far this is the most effective way to lift your vehicle for bigger wheels and tires while maintaining the smooth factory ride.

**LOWERING <<<<<**

From the classic S10, C10, and C1500 trucks to the late model trucks and SUVs, Maxtrac has wide range of components to provide moderate to extreme lowering options. The smooth ride, quick bolt on installation, and high quality parts are what make our kits stand out from the rest.



## LOWERING KITS

### 88-13 GM 1500 TRUCKS

- 2-4" LOWERING KIT
- 3-5" LOWERING KIT
- 4-6" LOWERING KIT

### 00-13 GM SUV

- 2-3" LOWERING KIT
- 3-4" LOWERING KIT

### MORE KITS AVAILABLE FOR

- GM C10/S10
- GM COLORADO/CANYON



### 07-13 GM SUV 3-4" LOWERING KIT

KIT #331234



### 99-06 1500 4-6" LOWERING KIT

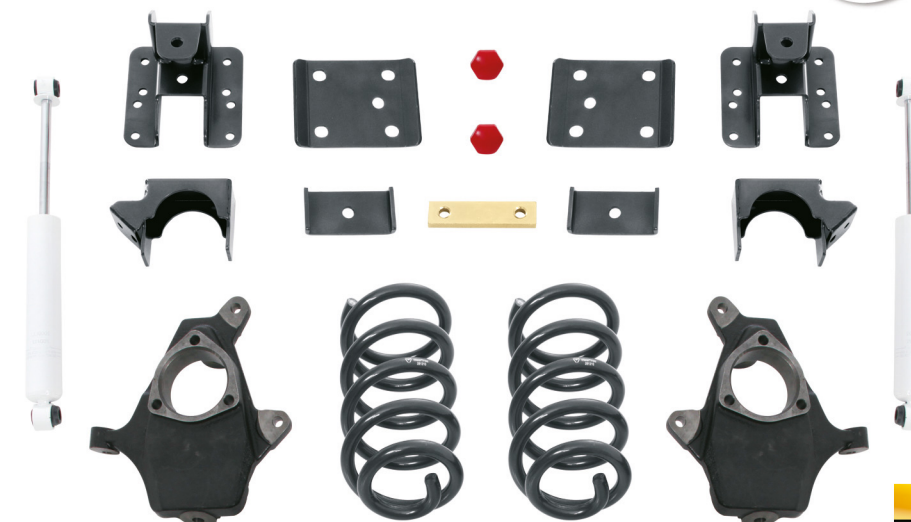
KIT #330946



### 07-13 GM 1500 4-6" LOWERING KIT

KIT #331346

**MOST POPULAR**



## LIFTING & LEVELING KITS

### 88-13 GM 1500 TRUCKS

- 3" LIFT KIT
- 5" LIFT KIT
- 6" LIFT KIT

### 00-13 GM SUV

- 3" LIFT KIT

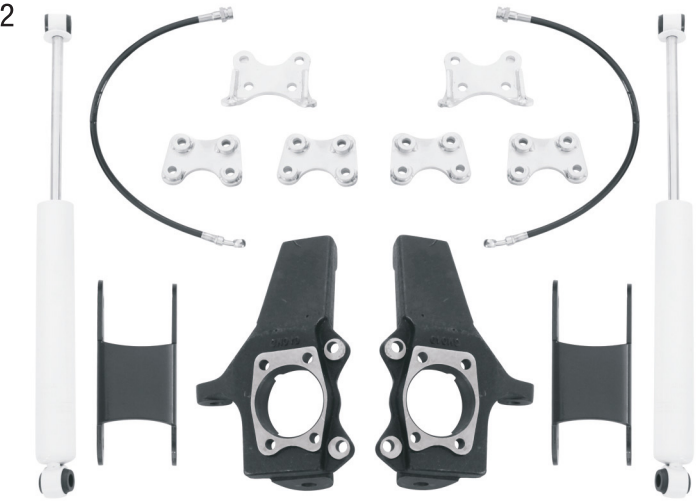
### LEVELING KITS FOR

- GM C/K 1500 / 2500 / 3500
  - GM COLORADO / CANYON / C10 / S10
  - GM SUV / EXT
- SEE PAGE 15



### COLORADO/CANYON 2WD 3" LIFT SPINDLES

KIT #K880332



### 07-13 GM SUV 3" LIFT KIT

KIT #KK881231



### 07-13 GM 1500 2WD 6" LIFT KIT

KIT #881364



**01-10 FORD RANGER**

- 4.0" LIFT SPINDLES
- 5" LIFT KIT
- 2-3" LOWERING KIT
- 3-5" LOWERING KIT

**04-13 FORD F-150**

- 2" & 3" LEVELING KITS
- 2-4" LOWERING KIT
- 3-5" LOWERING KIT

**97-03 FORD F-150**

- 3.5" LIFT SPINDLES
- 5.5" LIFT KIT
- 2-4" LOWERING KIT

**99-12 FORD SUPER DUTY**

- 2.0" LEVELING KIT
- 2" REAR LOWERING SHACKLES



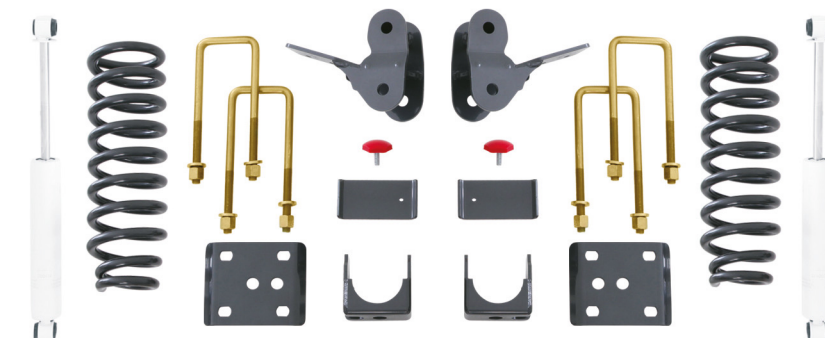
97-03 FORD F150 2WD  
703535 - 3.5" LIFT SPINDLE



**01-10 RANGER 6" LIFT KIT**  
KIT #K883053



**04-08 F-150 2-4" LOWERING KIT**  
KIT #K333124



**97-03 F-150 5.5" LIFT KIT**  
KIT #K883553



**FOR MORE FITMENTS  
VISIT OUR  
ONLINE  
APPLICATION GUIDE**

**05-13 TOYOTA TACOMA**

- 2.5" / 1.0" LIFT KIT
- 4" LIFT KIT (2WD)
- 6" LIFT KIT (2WD)

**07-13 TOYOTA TUNDRA**

- 2.5" / 1.0" LIFT KIT
- 4" LIFT KIT (2WD)
- 6" LIFT KIT (2WD)

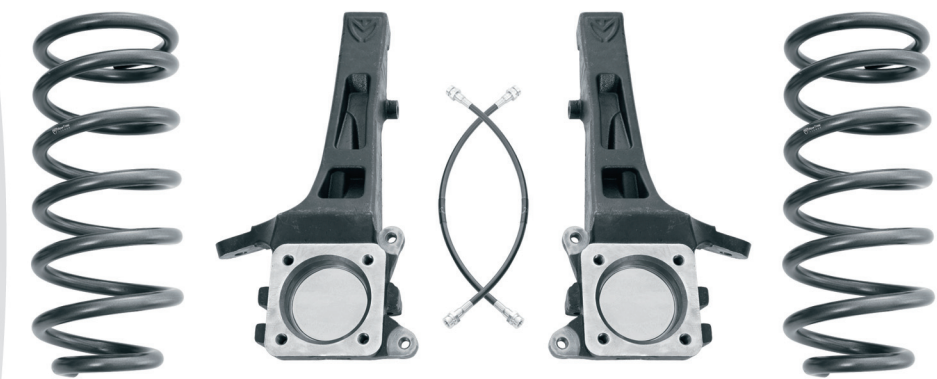
**06-13 TOYOTA FJ CRUISER**

- 2.5" / 2.0" LIFT KIT
- 4" LIFT KIT (2WD)



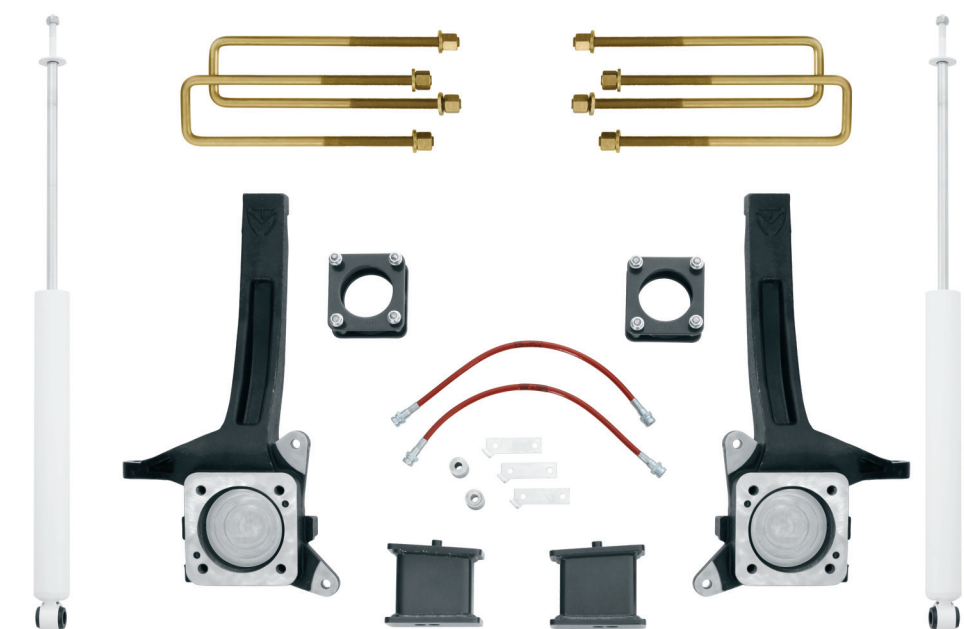
**06-13 FJ CRUISER 4" LIFT KIT**

KIT #K886442



**07-13 TUNDRA 2WD 6" LIFT KIT**

KIT #K886764



**07-11 JEEP JK**

- 1.5" LEVELING KIT (07-12)
- 2.5" FRONT - 2.0" REAR LIFT KIT (SPACERS)
- 2.0" FRONT - 2.0" REAR LIFT KIT (COILS)

**97-06 JEEP TJ**

- 4.0" FRONT - 4.0" REAR LIFT KIT

**07-11 2.5" FRONT - 2" REAR LIFT KIT**

KIT #K839725



**09-12 DODGE RAM 1500**

- 2-3" LOWERING KIT
- 2" & 2.5" LEVELING KIT

**03-08 DODGE RAM 2500/3500**

- 3.5" LIFT SPINDLES (2WD)
- 6.5" LIFT KIT (2WD)

**02-08 DODGE RAM 1500**

- 2" & 2.5" LEVELING KIT

**03-08 RAM 2500/3500 2WD  
3.5" LIFT SPINDLES**

KIT #702235



**09-12 2-3" LOWERING KIT**

KIT #K332923



**04-13 NISSAN TITAN**

- 2.5" LEVELING KIT
- 4-6.5" LIFT KIT (2WD)
- 2-2" LOWERING KITS

**04-10 NISSAN ARMADA**

- 2-2" & 2-3" LOWERING KIT

**TITAN 2WD 6.5 LIFT KIT**  
KIT #K885364

**MOST POPULAR**

**04-10 ARMADA LOWERING KIT**

KIT #K335523



**QUICK LEVELING KIT APPLICATION GUIDE**

MAKE	YEAR	MODEL	DRIVE	PART #	LIFT	PRODUCT TYPE
DODGE	02-05	RAM 1500	4WD	842113	1-3"	KEY
DODGE	06-12	RAM 1500	4WD	832125	2.5"	STRUT
DODGE	94-12	RAM 2500 / 3500	4WD	832625	2.5"	SPACER
DODGE	97-03	DAKOTA	4WD	842313	1-3"	KEY
DODGE	97-03	DURANGO	4WD	842313	1-3"	KEY
FORD	04-12	F-150	2WD/4WD	833120	2.0"	STRUT
FORD	04-12	F-150	2WD/4WD	833130	3.0"	STRUT
FORD	05-12	F-250 / F-350	4WD	833725	2.5"	SPACER
FORD	97-04	F150/HERITAGE	2WD	843513	1-3"	KEY
FORD	98-10	RANGER/EDGE	4WD	843013	1-3"	KEY
GM	07-12	SILVERADO/SIERRA	2WD/4WD	831320	2.0"	STRUT
GM	07-12	SUV	2WD/4WD	831320	2.0"	STRUT
GM	04-10	CANYON/COLORADO	4WD	840313	1-3"	KEY
GM	07-12	ESCALADE/DENALI/YUKON	2WD/4WD	831330	3.0"	STRUT
GM	07-12	SILVERADO/SIERRA	2WD/4WD	831330	3.0"	STRUT
GM	07-12	SUBURBAN/TAHOE/AVALANCHE	2WD/4WD	831330	3.0"	STRUT
GM	00-06	ESCALADE/DENALI/YUKON	2WD/4WD	840513	1-3"	KEY
GM	00-06	SILVERADO/SIERRA	2WD/4WD	840513	1-3"	KEY
GM	00-06	SUBURBAN/TAHOE/AVALANCHE	2WD/4WD	840513	1-3"	KEY
GM	11-13	1500HD/2500HD/3500HD	2WD/4WD	841413	1-3"	KEY
GM	82-04	S-10/JIMMY/BLAZER	4WD	840113	1-3"	KEY
GM	88-07	K1500/SUV	4WD	840513	1-3"	KEY
JEEP	07-12	JK WRANGLER	4WD	839715	1.5"	STRUT
NISSAN	04-10	ARMADA	2WD / 4WD	835325	2.5"	STRUT
NISSAN	04-12	TITAN	2WD / 4WD	835325	2.5"	STRUT
NISSAN	05-12	FRONTIER	2WD / 4WD	835125	2.5"	STRUT
TOYOTA	05-13	TACOMA	2WD / 4WD	836825-4	2.5"	STRUT
TOYOTA	06-12	FJ CRUISER	2WD / 4WD	836825-4	2.5"	STRUT
TOYOTA	07-13	TUNDRA	2WD / 4WD	836725-4	2.5"	STRUT
TOYOTA	95-04	TACOMA	2WD / 4WD	836925	2.5"	STRUT
TOYOTA	99-06	TUNDRA	2WD / 4WD	836530	3.0"	STRUT

