

# *battery powered* *motion-activated* **LED OUTDOOR WALL SCONCE**

## **ASSEMBLY AND INSTRUCTION GUIDE**

Model #s 43319, 44219, 46219, and 48219

### **ABOUT YOUR LED OUTDOOR WALL SCONCE**

The LED Outdoor Wall Sconce is perfect for porches, doorways, or around the house.

The LED Outdoor Wall Sconce has a built-in motion sensor, which automatically turns on the light when movement of a heat source (such as people, animals, or cars) is detected in the area. The light remains on while motion continues to be detected in the area.

The LED Outdoor Wall Sconce also has a built-in photosensor so that the light only turns on at night.

The LED Outdoor Wall Sconce may function irregularly or not at all at temperatures below 0°F / -17.8°C. Normal operation will return when the temperature rises.

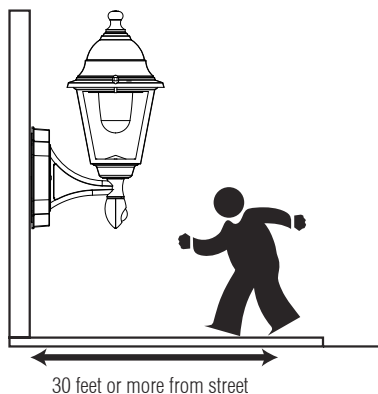
The LED Outdoor Wall Sconce requires 4 C cell batteries (not included). The batteries typically last up to 1 year under normal use.

The 2 super bright Surface Mount LEDs in the LED Outdoor Wall Sconce produce a warm white light (~3000K) and have an estimated life of 30,000 hours. The LEDs should never need changing.

### **CHOOSING A LOCATION**

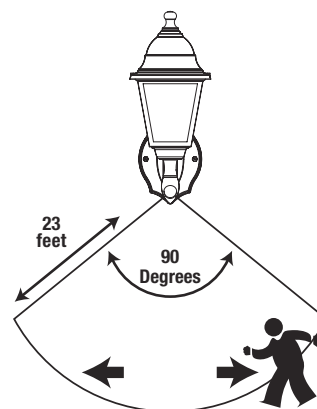
The selected location should not be near light sources such as street or porch lighting as these may cause the LED Outdoor Wall Sconce to turn off automatically. The LED Outdoor Wall Sconce should also be installed away from heaters, air conditioners, barbecues, vents, large reflective surfaces such as swimming pools and jacuzzis, and white walls.

You should also install the LED Outdoor Wall Sconce at least 30 feet away from the street, so the light is not activated by passing cars.



### **CHOOSING A LOCATION, CONTINUED**

Ideally, the LED Outdoor Wall Sconce should be mounted with the detector at the height of or above the objects to be detected.



The motion sensor has a detectable area of about 23 feet (7 meters) within a 100 degree angle of the sensor. The sensor is more sensitive to movement across the detection area than movement directly towards or away from the sensor.

At night, the LED lights will remain on for approximately 30 seconds after the last detected movement. If a movement is detected while the lights are on, the light duration will be reset and will remain on for an additional 20 seconds (approximately).

**NOTE: Do not mix old and new batteries. Do not mix alkaline, standard (carbon-zinc), or rechargeable (Nickel-Cadmium) batteries.**

## INSTALLATION AND MOUNTING

You will need:



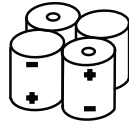
Pencil



Phillips screwdriver

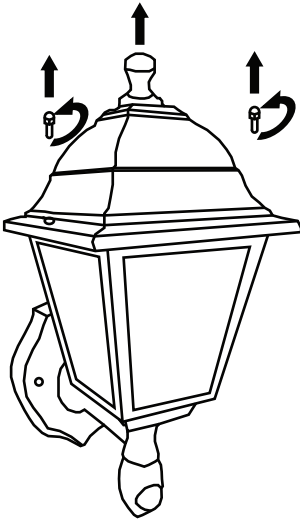


Drill

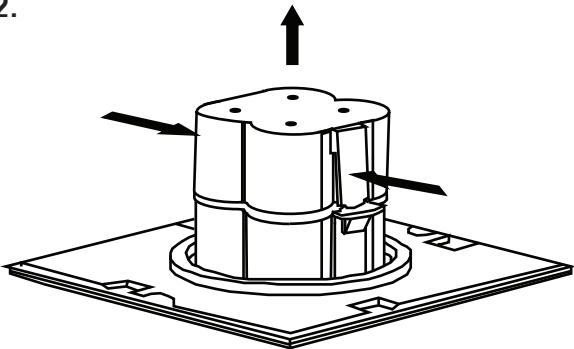


4 C-cell batteries

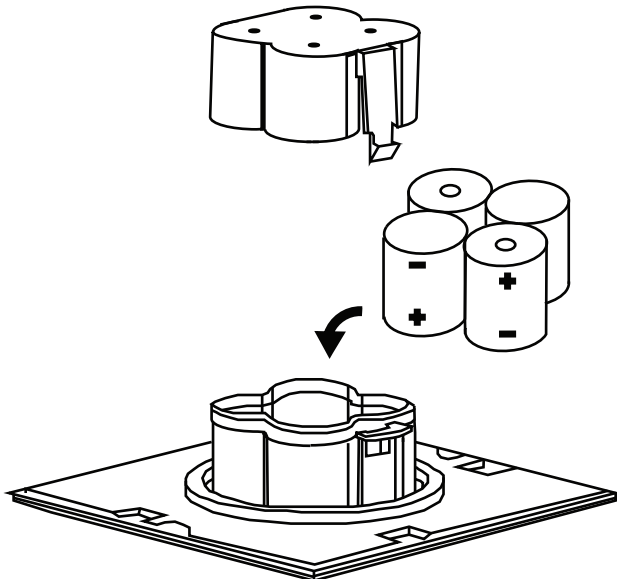
1.



2.

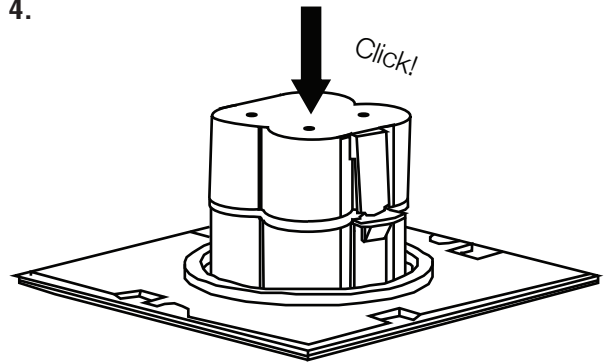


3.

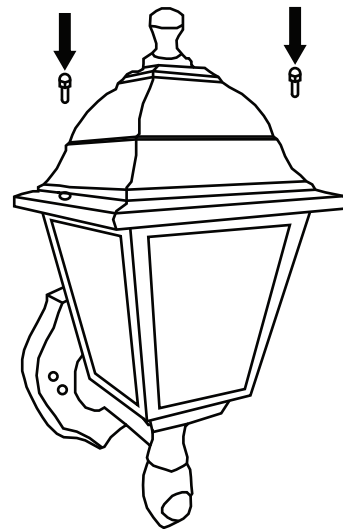


## INSTALLATION AND MOUNTING, CONTINUED

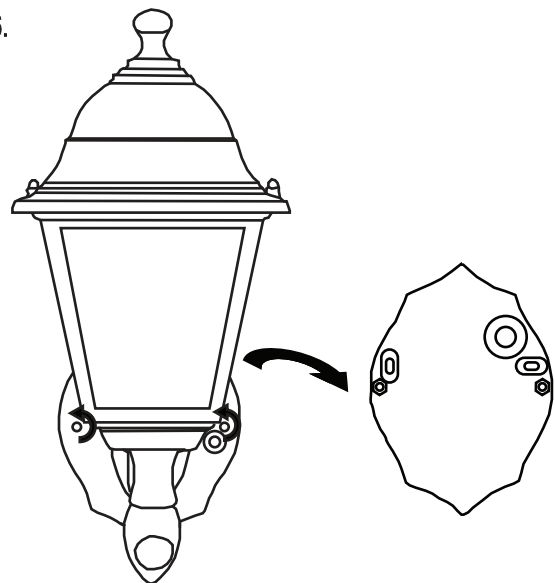
4.



5.

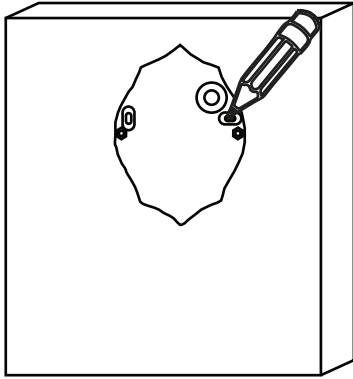


6.

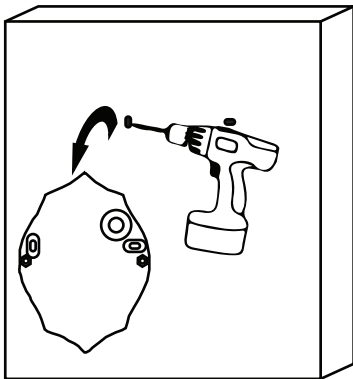


INSTALLATION AND MOUNTING, CONTINUED

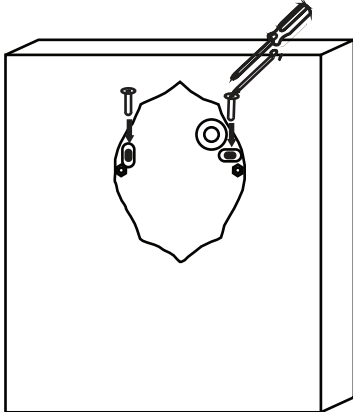
7.



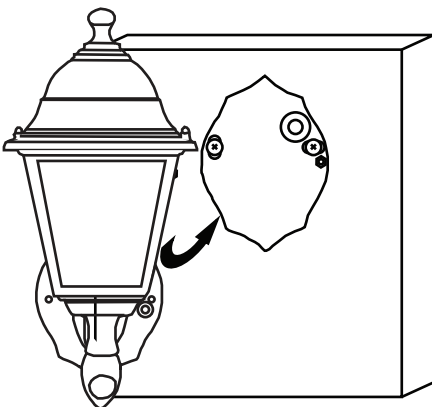
8.



9.

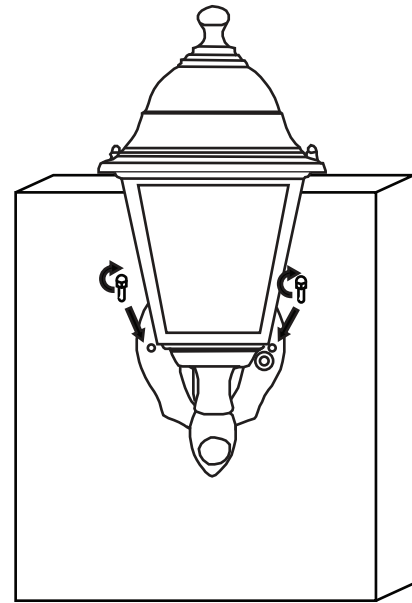


10.

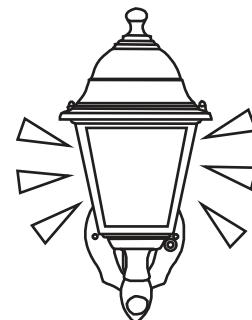
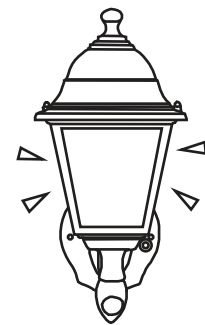
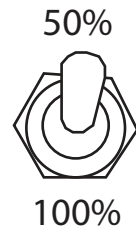
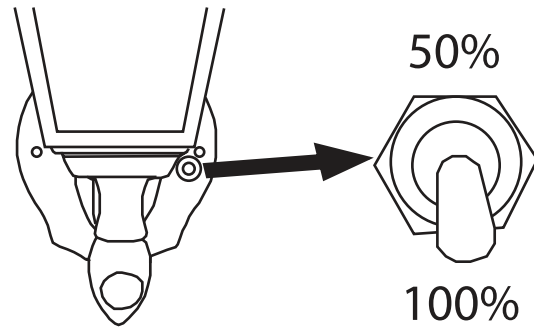


INSTALLATION AND MOUNTING, CONTINUED

11.



USING THE ENERGY SAVING SWITCH



## TROUBLESHOOTING

PROBLEM	POSSIBLE CAUSE	POSSIBLE SOLUTION
Light does not turn on when there is movement in the detecton area.	<ol style="list-style-type: none"> <li>1. Batteries are old.</li> <li>2. Nearby lighting is too bright.</li> <li>3. The light is facing the wrong direction.</li> </ol>	<ol style="list-style-type: none"> <li>1. Replace the batteries.</li> <li>2. Install the <i>LED Outdoor Wall Sconce</i> in a different location or facing a different direction, away from other lighting.</li> <li>3. Install the <i>LED Outdoor Wall Sconce</i> facing the desired detection area.</li> </ol>
Light turns on for no apparent reason (false trigger).	<ol style="list-style-type: none"> <li>1. Heat sources such as air conditioners, vents, barbecues, other outside lighting, or moving cars are false triggering the motion sensor.</li> <li>2. Pets or other animals are false triggering the motion sensor.</li> <li>3. Reflections from swimming pools, jacuzzis, white walls, or other large reflective surfaces are false triggering the motion sensor.</li> </ol>	<ol style="list-style-type: none"> <li>1. Install the <i>LED Outdoor Wall Sconce</i> away from the sources of interference.</li> <li>2. Mounting the <i>LED Outdoor Wall Sconce</i> higher or facing the light in a different direction may help.</li> <li>3. Install the <i>LED Outdoor Wall Sconce</i> away from the sources of reflections.</li> </ol>
Light turns on during daylight hours.	<ol style="list-style-type: none"> <li>1. A roof, wall, tree, or other object is casting a shadow on the sensor.</li> </ol>	<ol style="list-style-type: none"> <li>1. Install the <i>LED Outdoor Wall Sconce</i> in a non-shaded location or facing a direction away from sources of shadows.</li> </ol>

## SPECIFICATIONS

**Required:** Four (4) 1.5V C batteries (not included)

**LEDs:** 2 x 0.5 Watt Surface Mount LEDs **Brightness:** 85

Lumens (43319 is 70 lumens) **Voltage:** 6V DC

**Light Duration:** approximately 20 seconds **Detection**

**Angle:** 90° (cone)

**Maximum Detection Distance:** 23 feet (7 meters)

# *battery powered* *motion-activated* **LED OUTDOOR WALL SCONCE**

## **ASSEMBLY AND INSTRUCTION GUIDE**

Model # 44719

### **ABOUT YOUR LED OUTDOOR WALL SCONCE**

The LED Outdoor Wall Sconce is perfect for porches, doorways or around the house.

2 super bright Surface Mount LEDs in the LED Outdoor Wall Sconce produce a cool white light (~5000K) and have an estimated life of 30,000 hours.

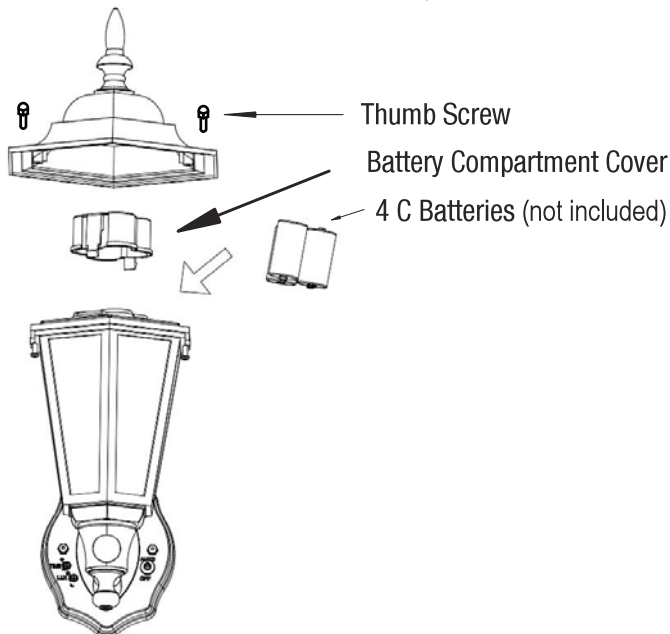
A built-in motion sensor automatically turns the light on when movement of a heat source (such as people, animals, or cars) is detected. The light will remain on while motion continues to be detected.

The built-in photosensor keeps the light from turning on in high light situations so that the light only turns on when in low light.

The LED Outdoor Wall Sconce requires 4 C cell batteries (not included). The batteries typically last up to 1 year under normal use. Because the LED Outdoor Wall Sconce is powered by alkaline batteries it may function irregularly or not at all at temperatures below 0° F / -17.8° C. Normal operation will return when the temperature rises.

### **BATTERY INSTALLATION**

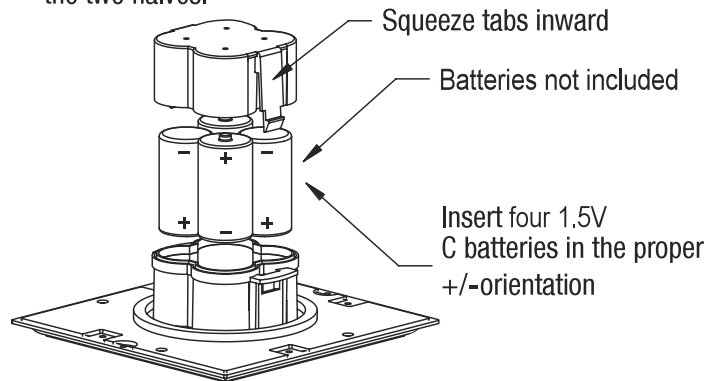
1. To access the battery compartment, remove the 2 thumb screws from the top cover. Remove the top cover.



2. Remove the battery compartment cover by squeezing the two tabs on the cover inward and pulling up.

### **BATTERY INSTALLATION (CONTINUED)**

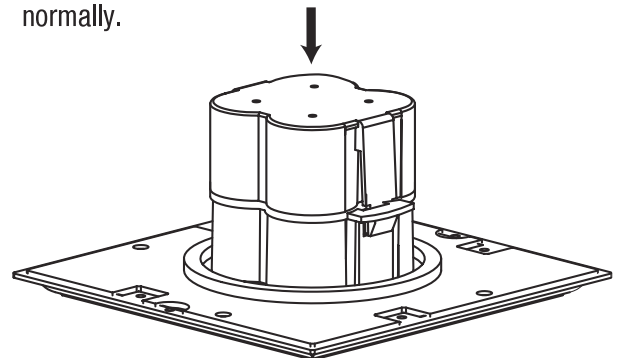
3. Batteries are not included, so you will need to provide four (4) new C cell batteries. Install the 4 C cell batteries in the proper +/- polarity orientation as shown in the illustration above. The positive ends of the batteries should face the low battery contacts and the negative ends of the batteries should face the elevated spring terminals in the battery compartment. If your unit includes a clear rubber spacer between the two halves of the battery compartment, please reinsert it between the two halves.



**NOTE: Do not mix old and new batteries. Do not mix alkaline, standard (carbon-zinc), or rechargeable (Nickel-Cadmium) batteries.**

4. Reinstall the battery compartment cover by aligning the tabs and pressing the battery compartment cover down until the battery compartment cover clicks into place.

**NOTE: When you close the battery compartment, the light should activate immediately, regardless of lighting conditions or motion. This is a test activation to show there is power flowing from the battery to the light. It should last roughly 30 seconds. After this test activation, the light will function normally.**



5. Reassemble the LED Outdoor Wall Sconce by replacing the top cover and re-installing the two thumb screws. Tighten the thumb screws by hand as tightly as possible to ensure a waterproof seal.

## BATTERY INSTALLATION (CONTINUED)

**Note:** If your *LED Outdoor Wall Sconce* does not turn on after battery installation:

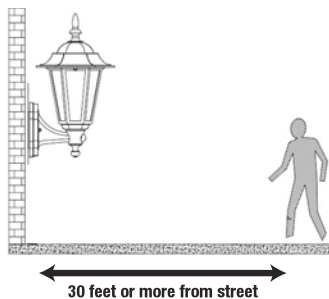
- Make sure the switch is in the AUTO position.
- Make sure the batteries have been inserted matching the correct + / - polarity orientation and are making secure contact with the terminals.
- Make sure you are testing the *LED Outdoor Wall Sconce* in a dark area since the light will only turn on at night.

**Note:** Dispose of old batteries properly, following your local and state regulations. Do not dispose of batteries in regular household refuse or into a fire.

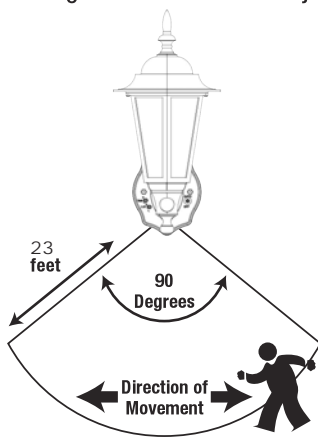
## CHOOSING A LOCATION

The selected location should not be near light sources such as street or porch lighting as these may cause the *LED Outdoor Wall Sconce* to turn off automatically. The *LED Outdoor Wall Sconce* should also be installed away from heaters, air conditioners, barbecues, vents, and large reflective surfaces such as swimming pools and jacuzzis, and white walls.

You should also install the *LED Outdoor Wall Sconce* at least 30 feet away from the street since passing cars might activate the light.



Ideally, the *LED Outdoor Wall Sconce* should be mounted with the detector at the height of or above the objects to be detected.



The motion sensor has a detection area of about 23 feet (7 meters) within a 90 degree angle of the sensor. The sensor is more sensitive to movement across the detection area than movement directly towards or away from the sensor.

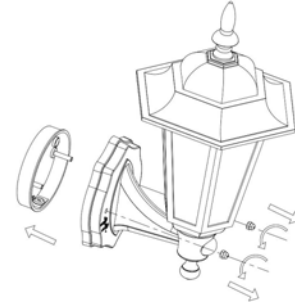
## CHOOSING A LOCATION, CONTINUED

At night, the LED lights will remain on for between 10 and 60 seconds after the last detected movement (the activation time is adjustable). If a movement is detected while the lights are on, the light duration will be reset and remain on for the period of time that the light is set to.

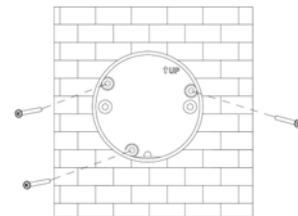
## INSTALLING THE MOUNTING BRACKET

The included mounting bracket and screws can be used to mount the *LED Outdoor Wall Sconce* securely to a wall.

1. Remove the mounting bracket from the back of the base by unscrewing the two screws on the front of the base.

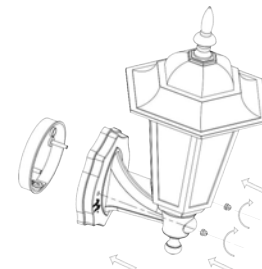


2. Align the mounting bracket on the wall and mark the locations of the three holes to be drilled with a pencil. Remove the mounting bracket from the wall.
3. Drill pilot holes for screws. Screw anchors should be used for cement, brick, or similar surfaces.
4. Align the mounting bracket on the wall and install the three screws using a screwdriver.



## MOUNTING THE LIGHT AND FIRST USE

1. Align the *LED Outdoor Wall Sconce* on the mounting bracket so that the two bolts go through the two holes on the front of the base.
2. Reinstall the two screws on the front of the base and tighten securely.



3. Once secured, flip the switch to the AUTO position to begin use of light.

## TIME AND LUX ADJUSTMENTS

On the left side of the sconce, there are 2 adjustment dials: TIME and LUX.

The light has been factory preset as follows:

**TIME** - Set at 30 seconds.

**LUX** - Set for your Security Light to activate at dusk when motion is detected.

If the above settings are not suitable for your application, then these may be adjusted using a flathead screwdriver. See the steps below.



To increase the time period, move the dial toward the (+) symbol.

Test the time period by triggering the motion sensor and measure the time period the light stays on. Adjust the TIME control until the desired illumination duration is reached.

A shorter TIME setting will conserve battery life. For best results, use the shortest TIME setting for your location as possible.

### LIGHT LEVEL ADJUSTMENT

The LUX dial controls the natural light level that triggers the Motion-Activated Wall Sconce and prevents it from operating during daylight hours. Your Motion-Activated Wall Sconce comes preset for activation at dusk.

To adjust for activation before dusk, move the dial toward bright (☀).

To adjust for activation after dusk, move the dial toward dark (☾).

### TIME PERIOD ADJUSTMENT

The time period control dial sets the duration that the Solar Security Light will remain illuminated after the last detected motion. The time period has an adjustable range of 10 seconds to 60 seconds.

To decrease the time period, move the dial toward the (-) symbol.

## TROUBLESHOOTING

PROBLEM	POSSIBLE CAUSE	POSSIBLE SOLUTION
Light does not turn on when there is movement in the detecton area.	<ol style="list-style-type: none"> <li>1. Batteries are old.</li> <li>2. Nearby lighting is too bright.</li> <li>3. The light is facing the wrong direction.</li> <li>4. The power switch is set to OFF - turn to AUTO to activate.</li> </ol>	<ol style="list-style-type: none"> <li>1. Replace the batteries.</li> <li>2. Install the <i>LED Outdoor Wall Sconce</i> in a different location or facing a different direction, away from other lighting.</li> <li>3. Install the <i>LED Outdoor Wall Sconce</i> facing the desired detection area.</li> </ol>
Light turns on for no apparent reason (false trigger).	<ol style="list-style-type: none"> <li>1. Heat sources such as air conditioners, vents, barbecues, other outside lighting, or moving cars are false triggering the motion sensor.</li> <li>2. Pets or other animals are false triggering the motion sensor.</li> <li>3. Reflections from swimming pools, jacuzzis, white walls, or other large reflective surfaces are false triggering the motion sensor.</li> </ol>	<ol style="list-style-type: none"> <li>1. Install the <i>LED Outdoor Wall Sconce</i> away from the sources of interference.</li> <li>2. Mounting the <i>LED Outdoor Wall Sconce</i> higher or facing the light in a different direction may help.</li> <li>3. Install the <i>LED Outdoor Wall Sconce</i> away from the sources of reflections.</li> </ol>
Light turns on during daylight hours.	<ol style="list-style-type: none"> <li>1. A roof, wall, tree, or other object is casting a shadow on the sensor.</li> <li>2. LUX dial is set to close to the (☀).</li> </ol>	<ol style="list-style-type: none"> <li>1. Install the <i>LED Outdoor Wall Sconce</i> in a non-shaded location or facing a direction away from sources of shadows.</li> <li>2. Rotate the LUX dial counter clockwise towards the (☾).</li> </ol>

## SPECIFICATIONS

**Required:** Four (4) 1.5V C batteries (not included)

**LEDs:** 2 x 0.5 Watt Surface Mount LEDs

**Brightness:** 85 Lumens

**Voltage:** 6V DC

**Light Duration:** approximately 10-60 seconds

**Detection Angle:** 90° (cone)

**Maximum Detection Distance:** 23 feet (7 meters)

