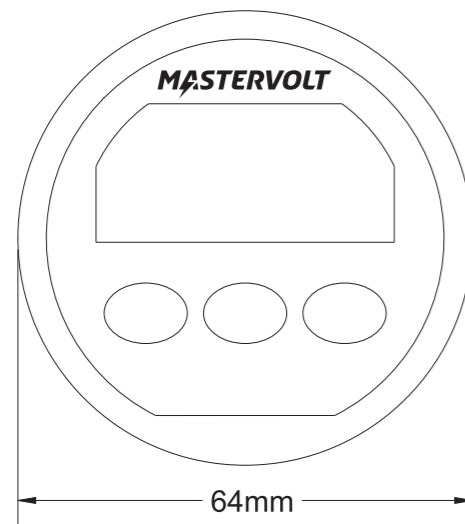
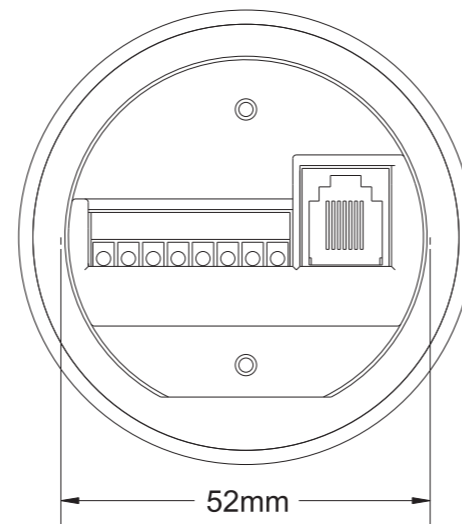


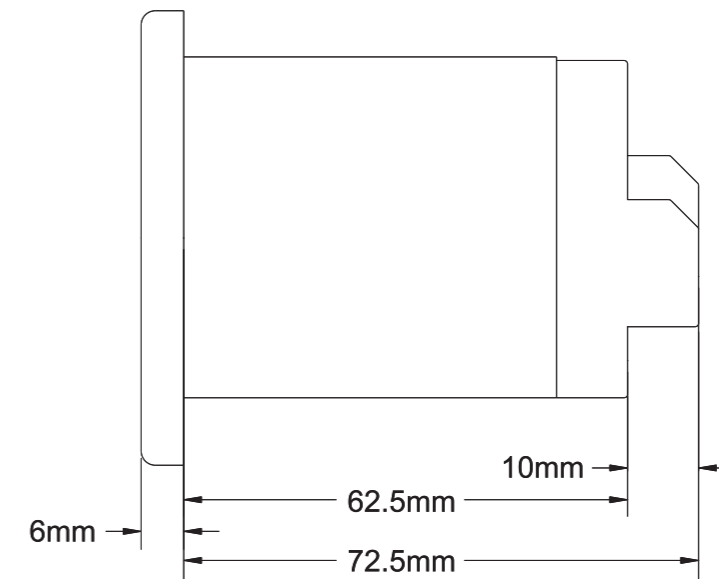
Front view



Rear view



Side view



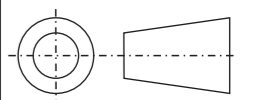
BattMan *pro & lite* dimensions

Tolerances: linear $\pm 0.2\text{mm}$
Angular $\pm 0.5^\circ$

MASTERVOLT
THE POWER TO BE INDEPENDENT

Material:	Units: mm
Scale: 1:1	Checked:

A3



Drawing: 10000010513_00