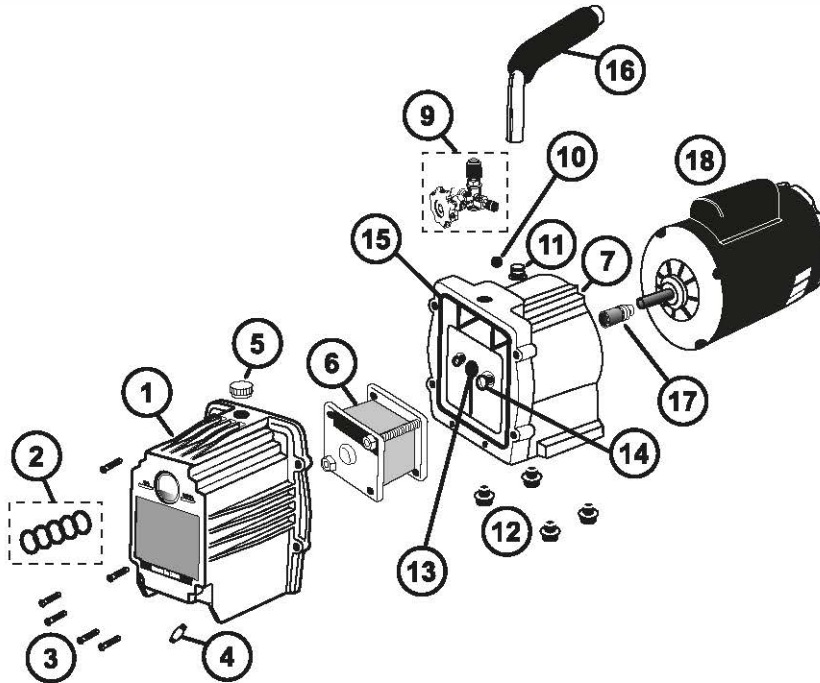




Mastercool®
"World Class Quality"

2, 5, 7.5 CFM TWO STAGE VACUUM PUMP
90062, 90065, 90067 Part s Breakdown



Ref.#	Description	Part #
1.	PUMP COVER 2 & 5 CFM	90062-12
	PUMP COVER 7.5 CFM	90067-12
2.	SIGHT GLASS ASSEMBLY	90052-14
3.	COVER SOCKET CAP (1 pc.)	90052-33
4.	DRAIN VALVE	90052-28
5.	OIL FILL PLUG W/O-RING	90052-30
6.	CARTRIDGE KIT 2 CFM / 57 LIT/MIN	90152
	CARTRIDGE KIT 5 CFM / 142 LIT/MIN	90165-R
	CARTRIDGE KIT 7.5 CFM / 213 LIT/MIN	90167-R
7.	PUMP HOUSING WITH GUIDE	90062-11-R
8.	INTAKE VALVE ASSEMBLY (2 STAGE)	90056-01
9.	INTAKE TEE (SINGLE STAGE)	90052-31
10.	FLOAT BALL	90052-20
11.	GAS BALLAST FITTING W/O-RING	90052-29
12.	RUBBER FOOT WITH BOLT	90052-38
13.	SHAFT SEAL	90052-06
14.	SMALLER O-RING ON HOUSING	90052-23
15.	PUMP COVER GASKET WITH LIP	90052-13R
16.	PUMP HANDLE WITH GRIP	90062-40
17.	SHAFT COUPLER ASSEMBLY	90062-02-R
18.	MOTOR-115V (2 & 5 CFM PUMPS) 1/3HP	90052-01-R1
	MOTOR-115V (7.5 CFM PUMP) 1/2HP	90057-01-R1

(TO SPECIFY 220V MOTORS, ADD -220 TO PART #)