



**Mastercool**<sup>®</sup> Inc.  
"World Class Quality"

## SINGLE STAGE VACUUM PUMPS



### 90062-B Specifications:

- Free Air Displacement: 3 CFM
- Ultimate Vacuum: 80 Microns
- Electrical Specs: 110/120V - 60 HZ
- Motor: 1/4 HP
- Pump Speed: 1720 RPM
- Dimensions: 12 x 6 x 10.5"
- Shipping Weight: 14 lbs

### 90066-B Specifications:

- Free Air Displacement: 6 CFM
- Ultimate Vacuum: 80 Microns
- Electrical Specs: 110/120V - 60 HZ
- Motor: 1/3 HP
- Pump Speed: 1720 RPM
- Dimensions: 15 x 6.5 x 11"
- Shipping Weight: 20.5 lbs

### 90066-B-SF Specifications:

- Free Air Displacement: 6 CFM
- Ultimate Vacuum: 80 Microns
- Electrical Specs: 110/120V - 60 HZ
- Motor: 1/3 HP
- Pump Speed: 1720 RPM
- Dimensions: 15 x 6.5 x 11"
- Shipping Weight: 20.5 lbs

\* PLEASE NOTE: The micron readings on all vacuum pumps represent optimal laboratory conditions. Field conditions may vary from these readings.

A good quality vacuum pump is an integral tool for complete A/C service. Mastercool vacuum pumps are durable and time tested. They stand up to the most grueling conditions and will provide years of reliable service. Mastercool offers a complete selection of pumps. Regardless of your service requirements, Mastercool has a model for your applications.

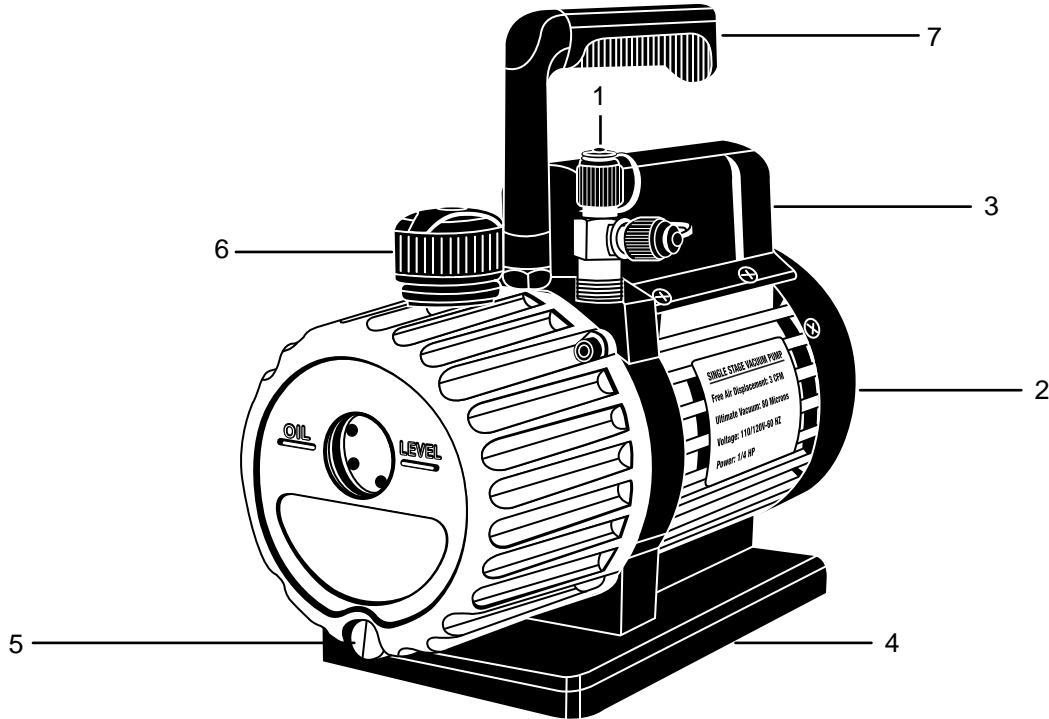
- High volume fan provides cool air motor and pump
- Vapor discharge/oil fill port, easily removable, contains internal check valve to prevent escape of liquid oil
- Internal check valve to prevent oil back flow
- Cooling fins to keep temperature cooler during extended motor operation
- Thermally protected motor with on/off rocker switch
- Large, lightweight reinforced base for stable positioning
- Easily accessible oil drain valve
- Large oil level sight glass with max/min oil level indicator



**Mastercool**<sup>®</sup> Inc.  
"World Class Quality"

**3 CFM, SINGLE STAGE  
VACUUM PUMP**

**REPAIRABLE PARTS BREAKDOWN  
(90062-B)**



REF. #	DESCRIPTION	PART #
1.	T-FITTING	90052-31
2.	FAN COVER	90062-B-FC
3.	ON/OFF SWITCH	90062-B-SW
4.	BASE PLATE	90062-B-BP
5.	OIL DRAIN FITTING WITH O-RINGS	90062-B-28
6.	EXHAUST FITTING	90066-10-B
7.	HANDLE	90062-B-H