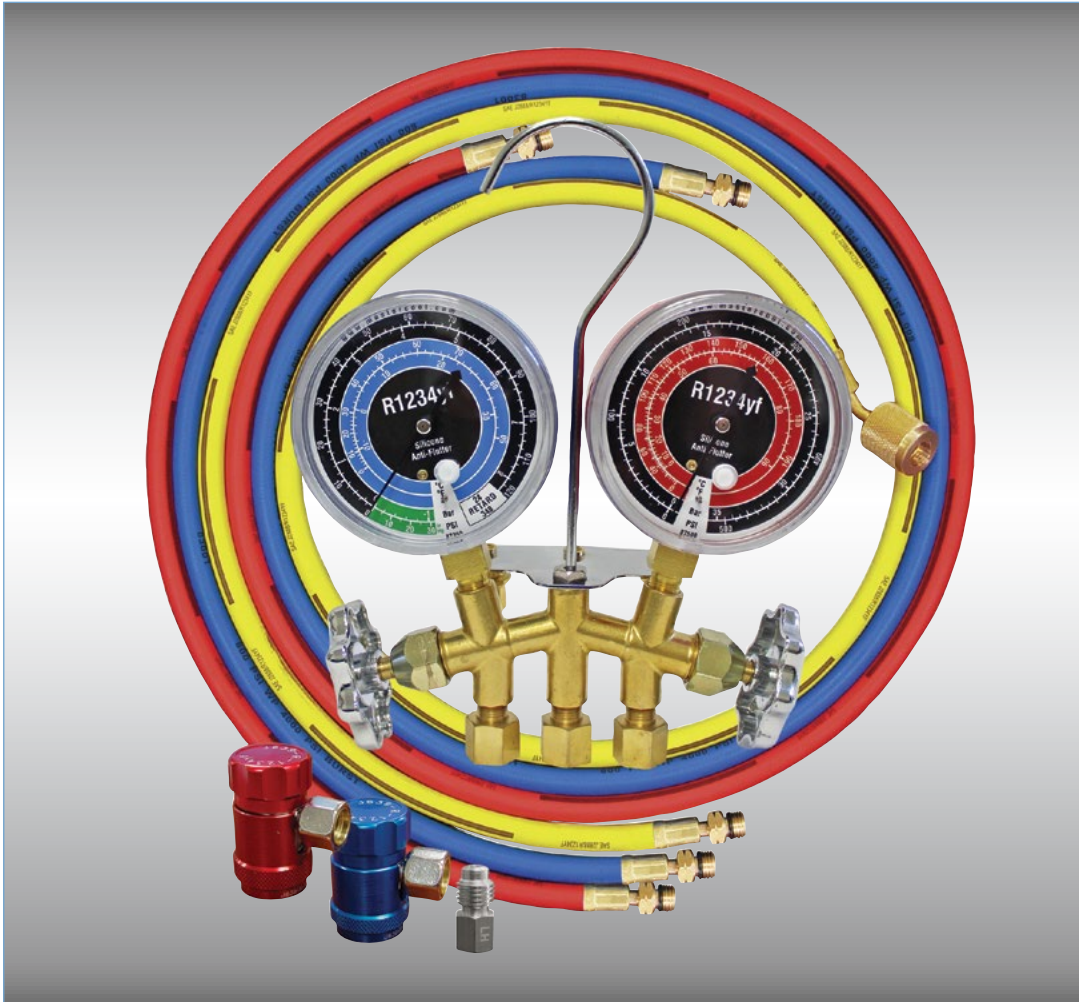




Mastercool[®] Inc.
"World Class Quality"

R1234yf 2-WAY BRASS MANIFOLD FOR AUTOMOTIVE A/C



SPECIFICATIONS:

- Manifold assembled with (3) 12mm-F fittings per SAE J2888
- Red & blue nylon barrier hoses with 12mm-M fittings on both sides meets SAE J2888, EPA, SAE & UL standards
- Yellow hose 12mm fitting on one side and 1/2 x 16 acme LH on the other meets SAE J2888
- R1234yf high and low side couplers with extended disconnect protection sleeve meets SAE J639 & J2888
- 1/4 FL-F x 1/2 ACME LH vacuum pump adapter
- Easy to recalibrate 3 1/8" gauges to ensure accuracy
- Bar/PSI units of measure

Mastercool is the leading manufacturer of professional quality A/C manifold gauge sets. Our manifold gauge sets are constructed of the finest materials and machined with precision to the highest quality standards. At Mastercool, every manifold we build is built to last.

81102

Manifold with gauges, 3 x 12 mm-F fittings

81661

Manifold with 3 – 60" hoses and R1234yf couplers packaged in a clam shell

87500

High Side Gauge

87350

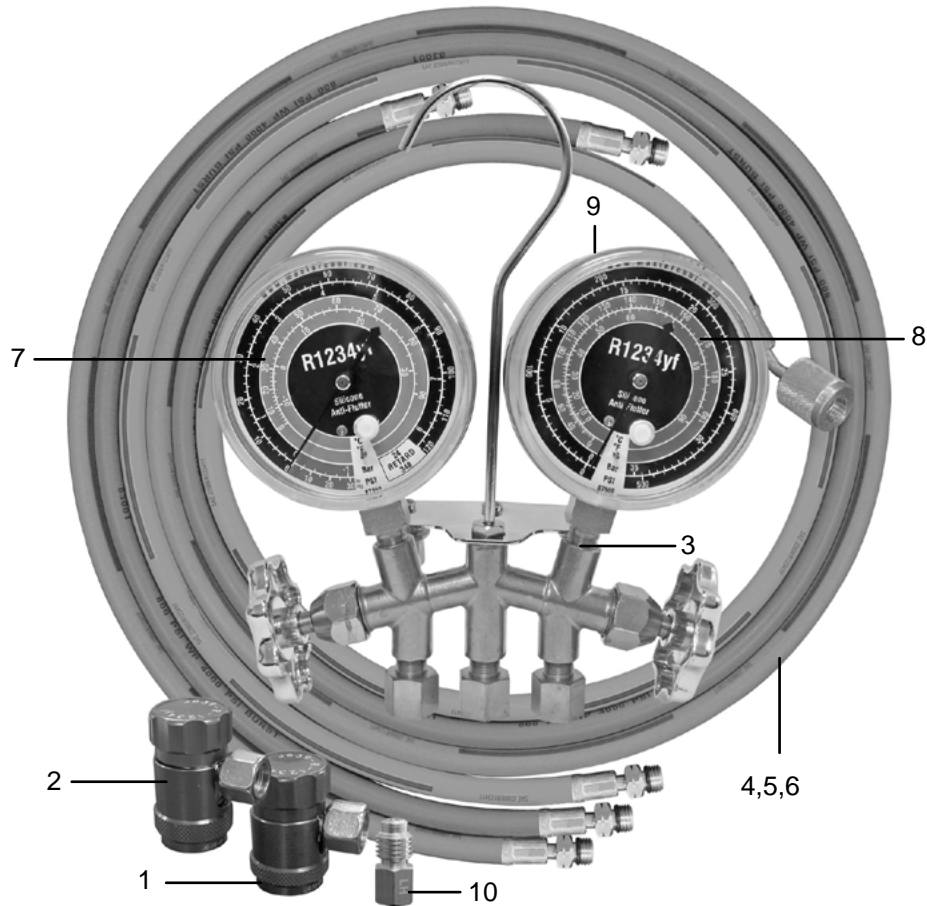
Low Side Gauge



Mastercool[®]
"World Class Quality"

**R1234YF
BRASS MANIFOLD GAUGE SET**

**REPAIRABLE PARTS BREAKDOWN
(81661)**



REF. #	DESCRIPTION	PART #
1.	HIGH SIDE COUPLER	83834
2.	LOW SIDE COUPLER	83934
3.	R1234YF BRASS BLOCK WITH GAUGES	81102
4.	60" R1234YF BLUE HOSE	83601
5.	60" R1234YF RED HOSE	83603
6.	60" R1234YF YELLOW HOSE	83602
7.	3 1/8" REPLACEMENT GAUGE LOW SIDE	87350
8.	3 1/8" REPLACEMENT GAUGE HIGH SIDE	87500
9.	3 1/8" REPLACEMENT LENS	98251-E
10.	1/4 FL-F X 1/2 ACME LH VACUUM PUMP ADAPTER	83634-M