

REPLACEMENT PART #'S

Part#	Description
71500-001	Crimper Assembly
71500-6	Die Set #6 (5/16") & #8 Reduced Barrier (13/32")
71500-8	Die Set #8 (13/32")
71500-10	Die Set #10 (1/2")
71500-12	Die Set #12 (5/8")
71550-PB	Die Set Plastic Box

Additional Reduced Barrier Die Sets Available

Part#	Description
71500-6SRB	Die Set #6 (5/16" Reduced Barrier)
71500-10SRB	Die Set #10 (1/2" Reduced Barrier)
71500-12SRB	Die Set #12 (5/8" Reduced Barrier)



Mastercool[®] Inc.
"World Class Quality"

Instructions 71550 **A/C HOSE CRIMPER**

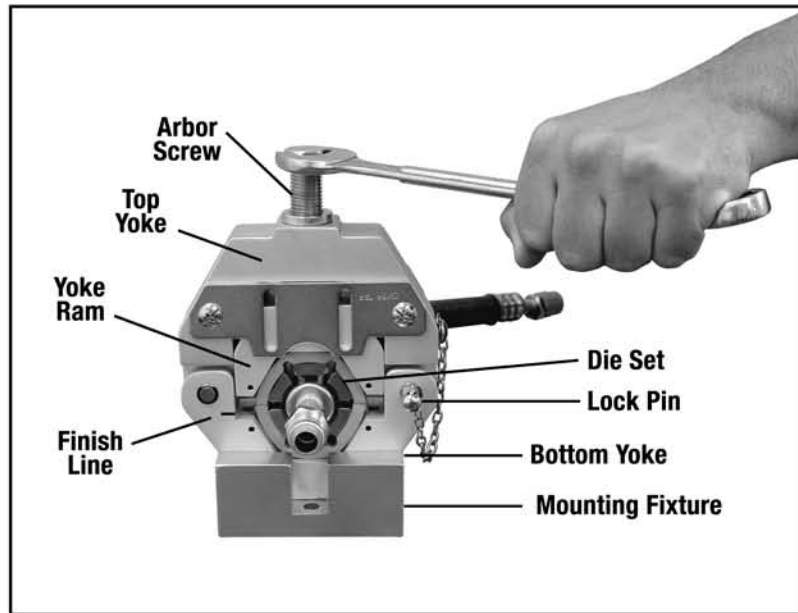


WARNING



**WEAR
SAFETY
GOGGLES!**

A/C HOSE CRIMPER 71550



PRE-OPERATION SET-UP

- Crimper can be mounted to a work bench or held in a vice.

READY TO GO!



WARNING



Wear Safety Goggles

OPERATING INSTRUCTIONS

Warning: DO NOT tighten the crimper without having a hose and fitting in place to crimp. This could damage the tool. Also, be careful not to place hands near any pinch points while using the tool!

1. Remove pin and open top yoke.

***Note: It may be necessary to turn the arbor screw counter clock-wise until top yoke can be opened.**

2. Select correct die set:

Standard Hose

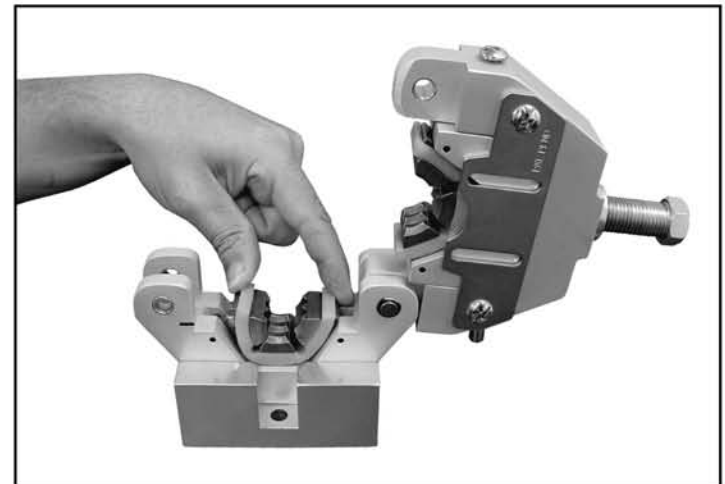
#6 (5/16") - Purple

#10 (1/2") - Yellow

#8 (13/32") - Red

#12 (5/8") - Green

***Note: Be sure to use correct size die set! Failure to do so could cause leakage or failure of the crimp!**



3. Insert dies into yoke.
4. Place the fitting and hose in crimper and close top yoke.
5. Insert pin securely.

***Note: Make sure pin snaps securely into place before crimping process is started.**

6. Position the hose fitting into the center of the dies.
7. Turn the arbor screw clockwise until the bottom of the yoke ram meets the finish line (approximately 1/8" from the bottom yoke).
8. Check crimp for correct compression; continue to tighten screw if additional compression is required.

***Note: Never use impact or power drivers.**

9. Once crimp is complete, turn arbor screw counter clock-wise until it stops.
10. Remove holding pin and open yoke.
11. Remove hose assembly.