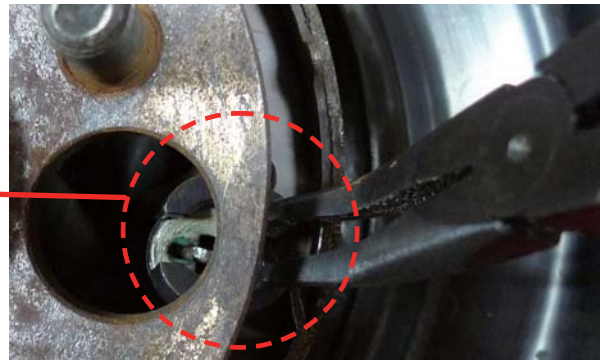
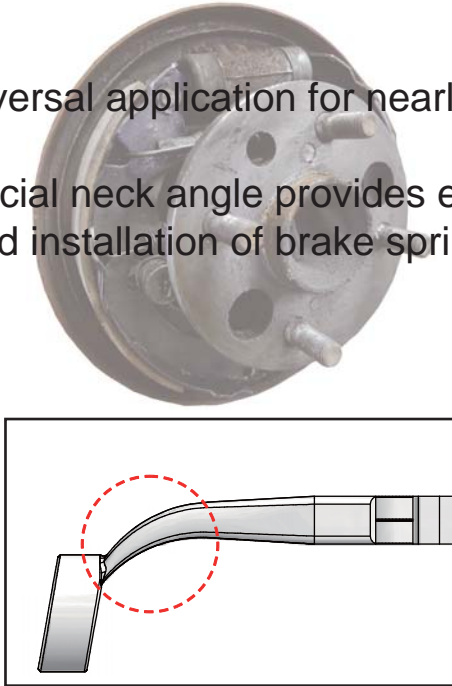


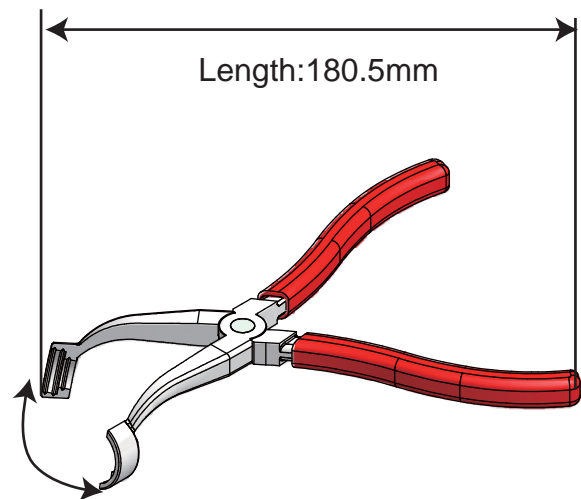
# Plier for brake spring washer

- ☒ Universal application for nearly all drum brakes.
- ☒ Special neck angle provides easy removal and installation of brake spring washer.



## Technical Data

- 🔑 Length : 180.5mm
- 🔑 Material : Steel
- 🔑 Heat treatment : HRC43°~46°
- 🔑 Max Angle : 50°

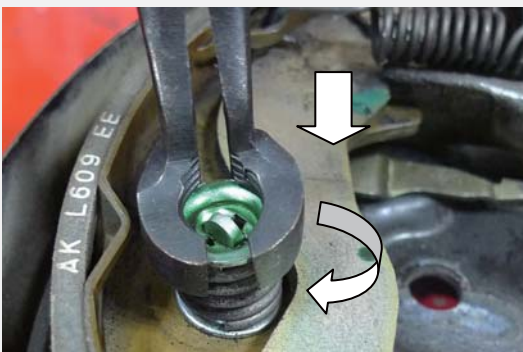


Max Angle : 50°

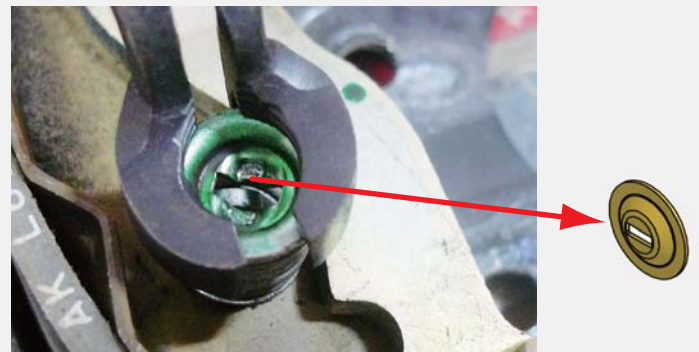
**⚠ Warning: Always wear hand gloves when work with this tool**



## HOW TO USE



1. Hold the handle, clip groove the front ditch and rotation the tool.



2. Remove/Install the spring washer smooth.