

masterack[®]

COMMERCIAL VEHICLE EQUIPMENT



SPRINTER

In Stock • Available for Local Installation

Accessories



CAB ORGANIZER
021742KP For Full Size Vans

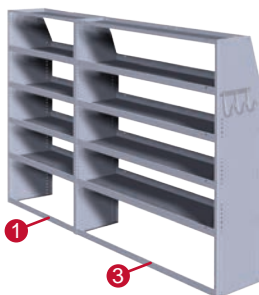
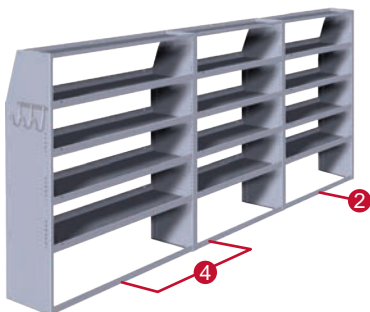


WINDOW SCREENS
02B127KP Side Door Sliding
02B128KP Rear Doors (set of 2)



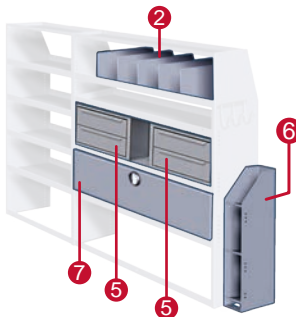
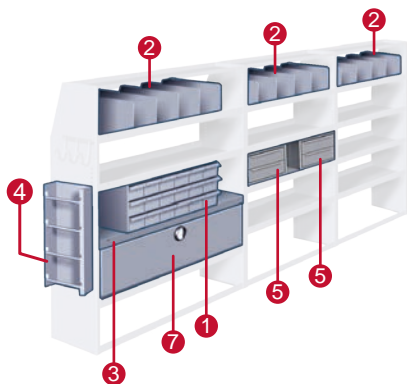
CARGO FLOOR MATS
02A428KP 144"WB Floor Mat
02B760KP 170"WB Floor Mat

High Roof (170"WB)

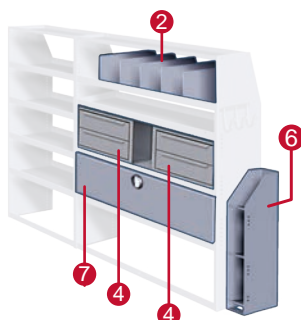
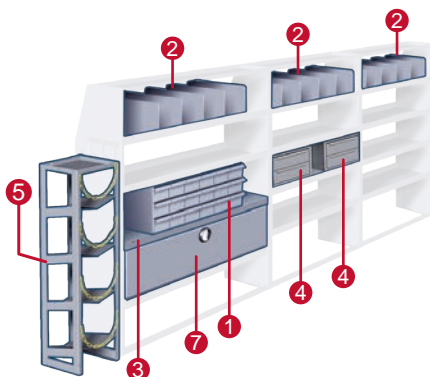


| 170" SPRINTER STEEL BASE PACKAGE | | | |
|----------------------------------|----------|---------------------------------|------|
| PACKAGE #02E970KP | | | |
| Item# | Part# | Description | Qty. |
| 1 | 02A380KP | Shelf Module 60"H x 25"W x 16"D | 1 |
| 2 | 02A382KP | Shelf Module 60"H x 37"W x 16"D | 2 |
| 3 | 02A383KP | Shelf Module 60"H x 43"W x 16"D | 2 |

+ TRADE OPTIONS



| 170" SPRINTER STEEL ELECTRICAL CONTRACTORS OPTIONS | | | |
|--|----------|--------------------------------------|------|
| Item# | Part# | Description | Qty. |
| 1 | 021007KP | 18-Drawer Cabinet | 1 |
| 2 | 022528KP | Shelf Dividers (set of 5) 8"H x 16"D | 4 |
| 3 | 022532KP | Tilt Shelf 43"W x 16"D | 1 |
| 4 | 024304KP | Wire Spool Carrier | 1 |
| 5 | 025070KP | Two Drawer Cabinet | 4 |
| 6 | 025522KP | Manual Rack 36"H x 6"W x 12"D | 1 |
| 7 | 027498KP | Lockable Storage Door 43"W x 12"H | 2 |



| 170" SPRINTER STEEL P/HVAC CONTRACTORS OPTIONS | | | |
|--|----------|--------------------------------------|------|
| Item# | Part# | Description | Qty. |
| 1 | 021007KP | 18-Drawer Cabinet | 1 |
| 2 | 022528KP | Shelf Dividers (set of 5) 8"H x 16"D | 4 |
| 3 | 022532KP | Tilt Shelf 43"W x 16"D | 1 |
| 4 | 025070KP | Two Drawer Cabinet | 4 |
| 5 | 025254KP | 4-30# Freon Tank Rack* | 1 |
| 6 | 025522KP | Manual Rack 36"H x 6"W x 12"D | 1 |
| 7 | 027498KP | Lockable Storage Door 43"W x 12"H | 2 |

SmartSpace[®]

by **masterack[®]**

SmartSpace is your innovative, modular cargo management system that offers a variety of shelves, drawers, and accessories that slide into upright panels for infinite storage possibilities. Made from structural foam and aluminum materials, this system provides weight savings over comparable steel interiors. **Partition sold separately.**



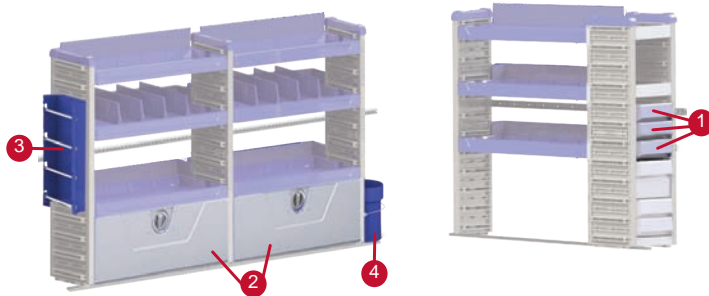
Standard Roof (144"WB)



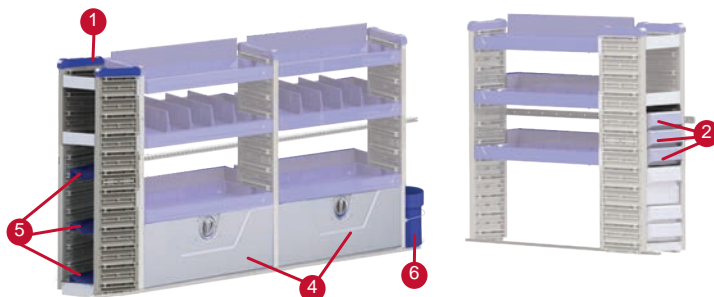
| SMARTSPACE STANDARD PACKAGE | | | |
|-----------------------------|----------|---------------------------------|------|
| PACKAGE #0SS100KP | | | |
| Item# | Part# | Description | Qty. |
| 1 | 0SS150KP | STREETSIDE : 44H" x 74"W x 16"D | 1 |
| 2 | 0SS151KP | CURBSIDE : 44H" x 44"W x 16"D | 1 |

| INSTALLATION KIT SOLD SEPARATELY | |
|----------------------------------|----------|
| 0SS142KP | SPRINTER |

+ TRADE OPTIONS



| ELECTRICAL OPTIONS | | | |
|--------------------|----------|--|------|
| Item# | Part# | Description | Qty. |
| 1 | 0SS107KP | Small Drawer w/ Dividers 12"W x 3"H x 12"D | 3 |
| 2 | 0SS114KP | Locking Storage Door | 2 |
| 3 | 0SS117KP | Steel Wire Spool Rack | 1 |
| 4 | 0SS118KP | Storage Bucket & Holder | 1 |



| PLUMBING / HVAC OPTIONS | | | |
|-------------------------|-----------|--|------|
| Item# | Part# | Description | Qty. |
| 1 | 0SS104KP | Cubby Module 44" H x 14"W x 12"D | 1 |
| 2 | 0SS107KP | Small Drawer w/ Dividers 12"W x 3"H x 12"D | 3 |
| 3 | 0SS051LKP | Rotation Brackets - Streetside (not visible) | 3 |
| 4 | 0SS114KP | Locking Storage Door | 2 |
| 5 | 0SS115KP | Steel 30# Freon Tank Kit | 3 |
| 6 | 0SS118KP | Storage Bucket & Holder | 1 |



STEEL PARTITIONS

Steel partitions are available for standard and high-roof Sprinters. Diamond perforations offer maximum visibility.

- 02A366KP** Partition w/ Fixed Center Panel
- 02A368KP** Partition w/ Hinged Center Door
- 02A375KP** Attachment Panel for High-Roof

High Roof (144"WB)



| SMARTSPACE HIGH ROOF VAN BASE PKG PACKAGE #0SS101KP | | | |
|--|----------|---------------------------------|------|
| Item# | Part# | Description | Qty. |
| 1 | 0SS152KP | STREETSIDE : 66H" x 74"W x 16"D | 1 |
| 2 | 0SS153KP | CURBSIDE : 66H" x 49"W x 16"D | 1 |

| INSTALLATION KIT SOLD SEPARATELY | |
|----------------------------------|----------|
| 0SS142KP | SPRINTER |

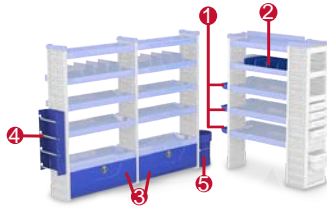
High Roof (170"WB)



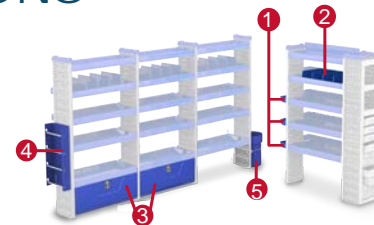
| SMARTSPACE HIGH ROOF VAN BASE PKG-EXTENDED PACKAGE #0SS180KP | | | |
|---|----------|---------------------------------|------|
| Item# | Part# | Description | Qty. |
| 1 | 0SS152KP | STREETSIDE : 66H" x 74"W x 16"D | 1 |
| 2 | 0SS153KP | CURBSIDE : 66H" x 49"W x 16"D | 1 |
| 3 | 0SS179KP | STREETSIDE : 66H" Add-on Module | 1 |

| INSTALLATION KIT SOLD SEPARATELY | |
|----------------------------------|----------|
| 0SS142KP | SPRINTER |

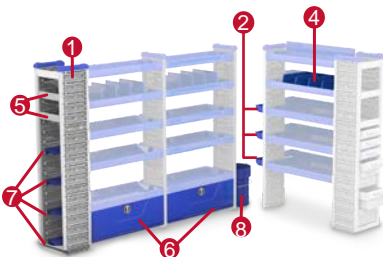
+ TRADE OPTIONS



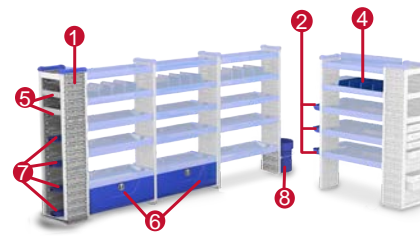
| ELECTRICAL CONTRACTORS OPTIONS | | | |
|--------------------------------|----------|--|------|
| Item# | Part# | Description | Qty. |
| 1 | 0SS108KP | Composite Parts Bin w/ Dividers 10"W x 3"H x 6"D | 3 |
| 2 | 0SS110KP | Dividers 16"D / Set of 4 | 1 |
| 3 | 0SS114KP | Locking Storage Door | 2 |
| 4 | 0SS117KP | Steel Wire Spool Rack | 1 |
| 5 | 0SS118KP | Storage Bucket & Holder | 1 |



| ELECTRICAL CONTRACTORS OPTIONS | | | |
|--------------------------------|----------|--|------|
| Item# | Part# | Description | Qty. |
| 1 | 0SS108KP | Composite Parts Bin w/ Dividers 10"W x 3"H x 6"D | 3 |
| 2 | 0SS110KP | Dividers 16"D / Set of 4 | 1 |
| 3 | 0SS114KP | Locking Storage Door | 2 |
| 4 | 0SS117KP | Steel Wire Spool Rack | 1 |
| 5 | 0SS118KP | Storage Bucket & Holder | 1 |



| PLUMBING / HVAC CONTRACTORS OPTIONS | | | |
|-------------------------------------|-----------|--|------|
| Item# | Part# | Description | Qty. |
| 1 | 0SS105KP | Cubby Module 66"H x 14"W x 12"D | 1 |
| 2 | 0SS108KP | Composite Parts Bin w/ Dividers 10"W x 3"H x 6"D | 3 |
| 3 | 0SS051LKP | Rotation Brackets - Streetside (not visible) | 5 |
| 4 | 0SS110KP | Dividers 16"D / Set of 4 | 1 |
| 5 | 0SS113KP | Shelf Kit 12"W x 12"D | 2 |
| 6 | 0SS114KP | Locking Storage Door | 2 |
| 7 | 0SS115KP | Steel 30# Freon Tank Kit | 4 |
| 8 | 0SS118KP | Storage Bucket & Holder | 1 |



| PLUMBING / HVAC CONTRACTORS OPTIONS | | | |
|-------------------------------------|-----------|--|------|
| Item# | Part# | Description | Qty. |
| 1 | 0SS105KP | Cubby Module 66"H x 14"W x 12"D | 1 |
| 2 | 0SS108KP | Composite Parts Bin w/ Dividers 10"W x 3"H x 6"D | 3 |
| 3 | 0SS051LKP | Rotation Brackets - Streetside (not visible) | 5 |
| 4 | 0SS110KP | Dividers 16"D / Set of 4 | 1 |
| 5 | 0SS113KP | Shelf Kit 12"W x 12"D | 2 |
| 6 | 0SS114KP | Locking Storage Door | 2 |
| 7 | 0SS115KP | Steel 30# Freon Tank Kit | 4 |
| 8 | 0SS118KP | Storage Bucket & Holder | 1 |

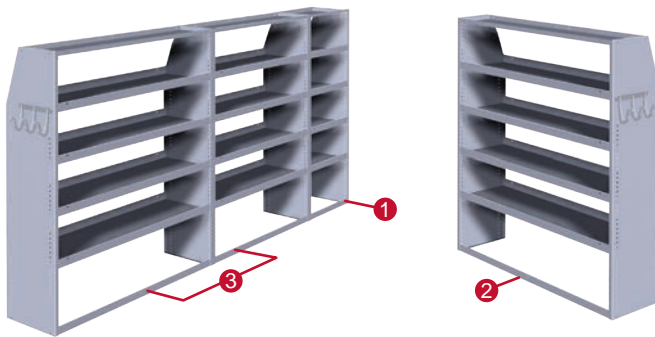
masterack®

COMMERCIAL STEEL PACKAGES

Masterack's heavy duty steel interiors, used by the nation's largest fleets, offer maximum durability for the toughest applications. Choose from pre-designed trade upgrades or accessorize with Masterack's full line of steel cabinets, drawers, dividers, and bins to maximize the efficiency of your vehicle. **Partition sold separately.**

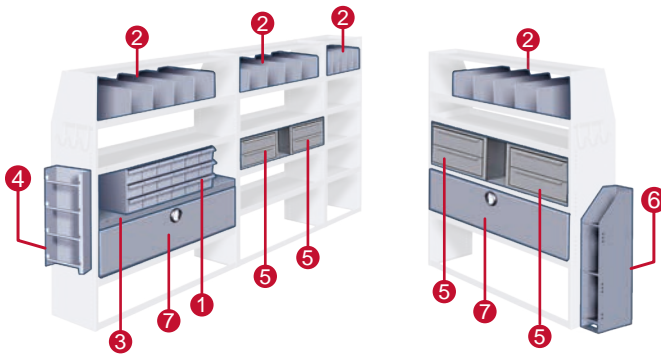


Standard Roof & High Roof (144"WB)

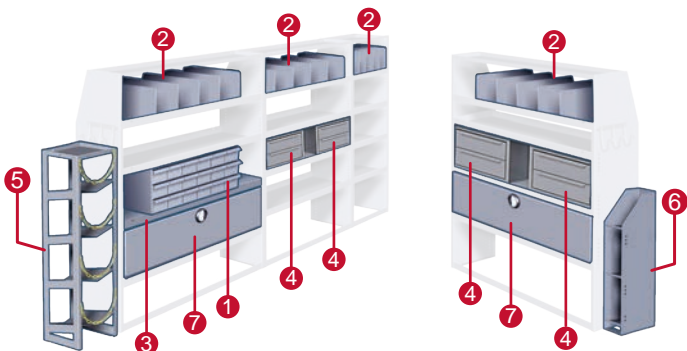


| 144" SPRINTER STEEL BASE PACKAGE | | | |
|----------------------------------|----------|---------------------------------|------|
| PACKAGE #02E969KP | | | |
| Item# | Part# | Description | Qty. |
| 1 | 02A379KP | Shelf Module 60"H x 19"W x 16"D | 1 |
| 2 | 02A382KP | Shelf Module 60"H x 37"W x 16"D | 1 |
| 3 | 02A383KP | Shelf Module 60"H x 43"W x 16"D | 2 |

+ TRADE OPTIONS



| 144" SPRINTER STEEL ELECTRICAL CONTRACTORS OPTIONS | | | |
|---|----------|--------------------------------------|------|
| Item# | Part# | Description | Qty. |
| 1 | 021007KP | 18-Drawer Cabinet | 1 |
| 2 | 022528KP | Shelf Dividers (set of 5) 8"H x 16"D | 4 |
| 3 | 022532KP | Tilt Shelf 43"W x 16"D | 1 |
| 4 | 024304KP | Wire Spool Carrier | 1 |
| 5 | 025070KP | Two Drawer Cabinet | 4 |
| 6 | 025522KP | Manual Rack 36"H x 6"W x 12"D | 1 |
| 7 | 027498KP | Lockable Storage Door 43"W x 12"H | 2 |



| 144" SPRINTER STEEL P/HVAC CONTRACTORS OPTIONS | | | |
|---|----------|--------------------------------------|------|
| Item# | Part# | Description | Qty. |
| 1 | 021007KP | 18-Drawer Cabinet | 1 |
| 2 | 022528KP | Shelf Dividers (set of 5) 8"H x 16"D | 4 |
| 3 | 022532KP | Tilt Shelf 43"W x 16"D | 1 |
| 4 | 025070KP | Two Drawer Cabinet | 4 |
| 5 | 025254KP | 4-30# Freon Tank Rack | 1 |
| 6 | 025522KP | Manual Rack 36"H x 6"W x 12"D | 1 |
| 7 | 027498KP | Lockable Storage Door 43"W x 12"H | 2 |

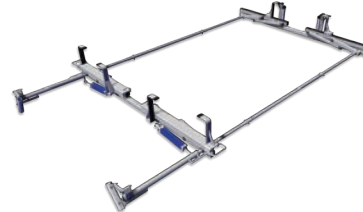
Ladder Racks

ERGORACK®

Ergorack allows for easy loading and unloading of ladders with a hydraulic cylinder that reduces muscle strain. One pull of the handle moves the ladder from its secured position to the side of the vehicle, where it can then be easily lifted off the hooks and carried away. Gas mileage is improved due to the Ergorack's lighter weight compared to similar steel ladder rack solutions. Reduce your install time and improve resell with no holes to drill.

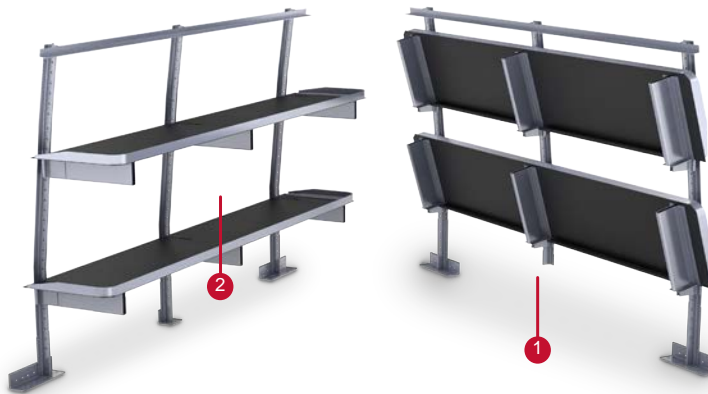


| ERGORACK® SINGLE ROTATION | |
|---------------------------|---------------|
| Part# | Roof Height |
| 02F177KP | Medium & High |



| ERGORACK® DOUBLE ROTATION | |
|---------------------------|---------------|
| Part# | Roof Height |
| 02F166KP | Medium & High |

Folding Aluminum Shelving



| ALUMINUM FOLDING SHELVING PACKAGE 170"WB | | | |
|--|----------|--------------------------------------|------|
| PACKAGE #02G137KP | | | |
| Item# | Part# | Description | Qty. |
| 1 | 02H281KP | Aluminum Shelving LWB SS 94"W x 20"D | 1 |
| 2 | 02H282KP | Aluminum Shelving LWB CS 75"W x 20"D | 1 |