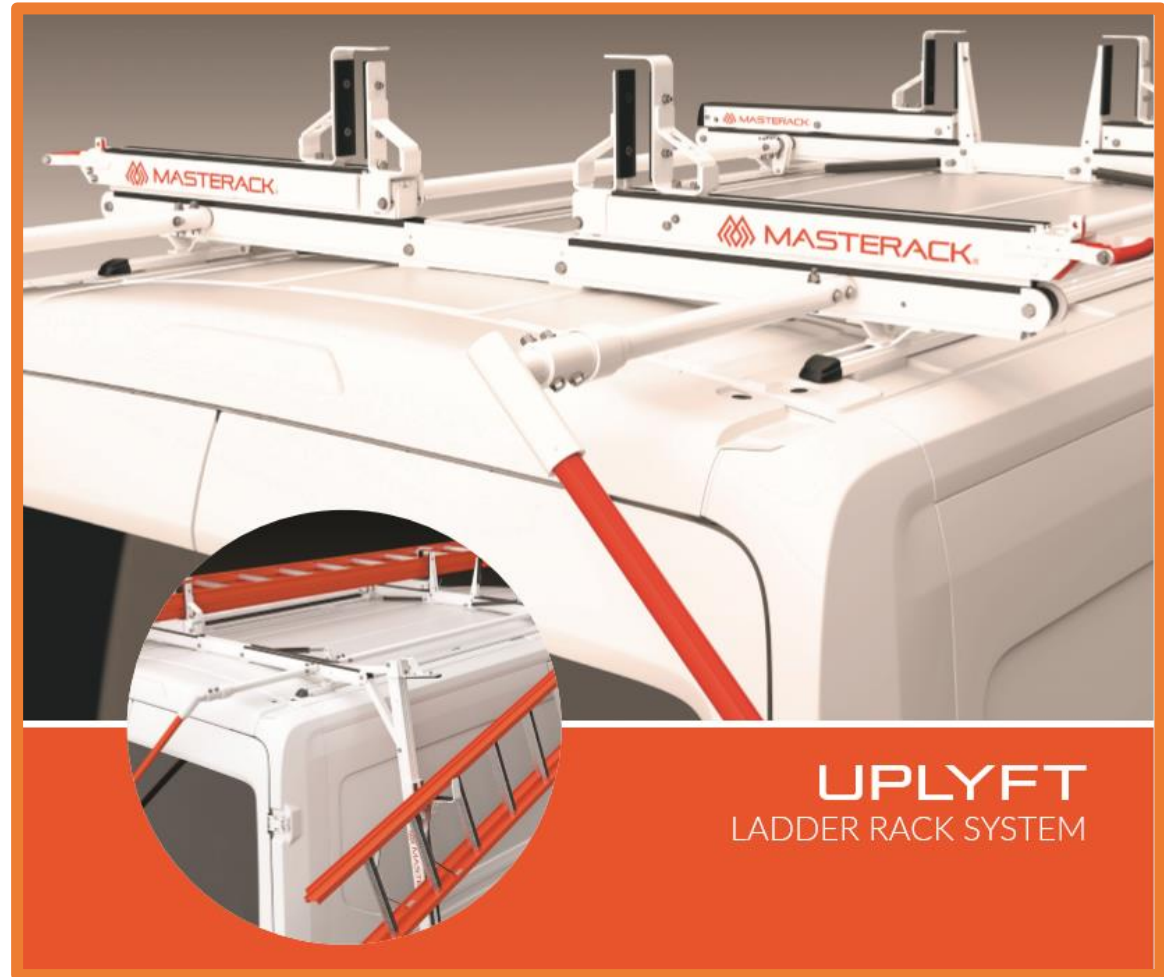


# ASSEMBLY / INSTALLATION INSTRUCTIONS

## Recommended Tools

- Air or Hand Ratchet  9/16" Socket 
- 9/16" Combo Wrench 
- Torque Wrench 
- 6mm Hex and 5/32 Hex Allen Wrench 

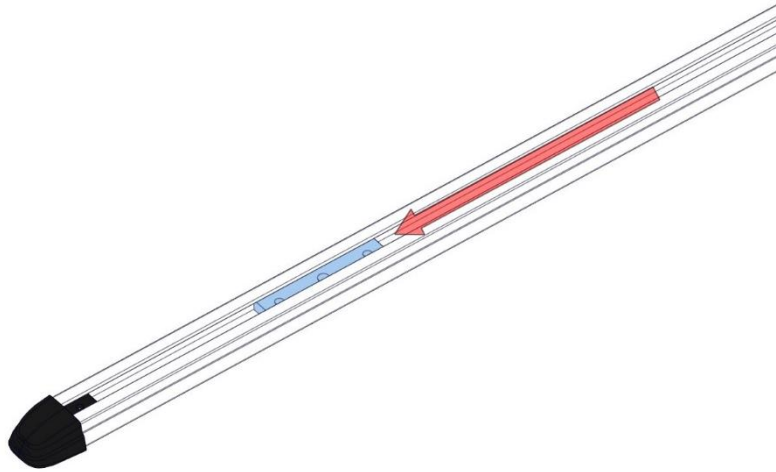
**Review this document to ensure that all parts and hardware are included in the package, before installation. In the event that parts are missing please contact Masterack @ 1-800-222-8785, to re-order missing parts.**



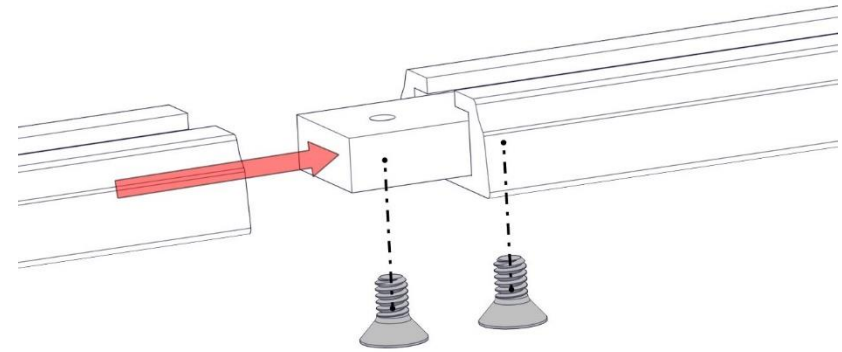
**UPLYFT**  
LADDER RACK SYSTEM

## UPLYFT LADDER RACK SYSTEM

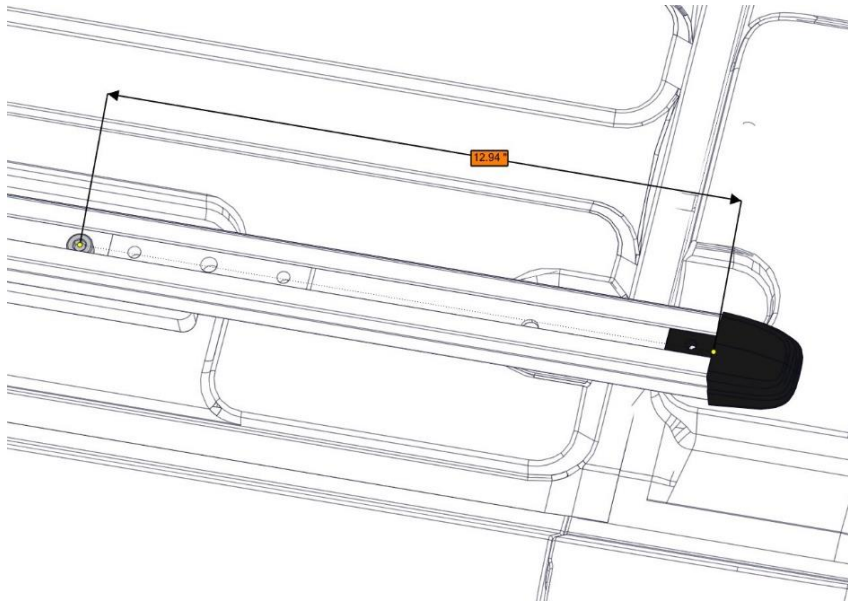
**BEFORE INSTALLATION PLEASE REVIEW THIS ENTIRE DOCUMENT, UNTIL YOU ARE COMPLETELY FAMILIAR WITH ALL STEPS BEFORE BEGINNING. A "PRACTICE RUN" OF THESE STEPS / PROCEDURES MAY BE HELPFUL TO ASSIST YOU IN FAMILIARIZING YOURSELF THOROUGHLY, AND AVOIDING COSTLY ERRORS.**



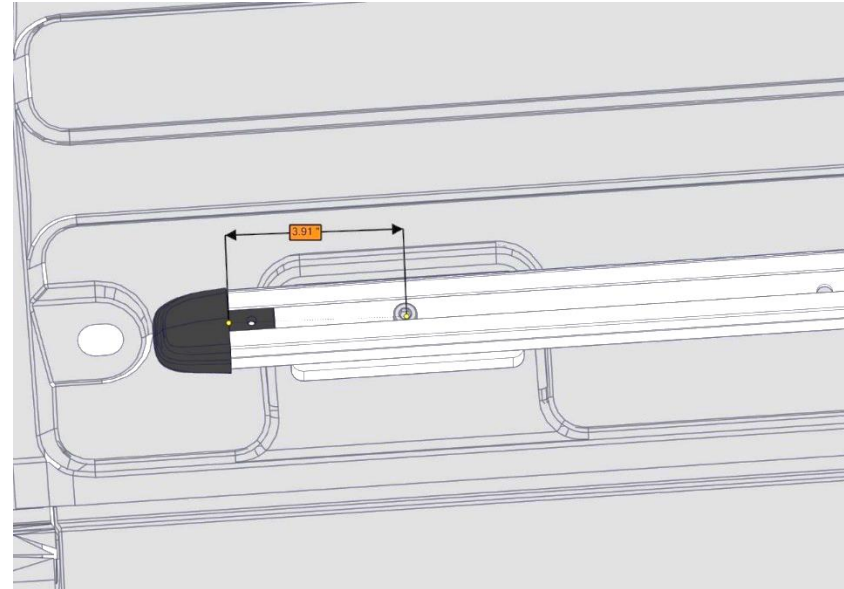
**Step 1.**  
Slide receiver block (02P118) into both mounting rails (02P112)



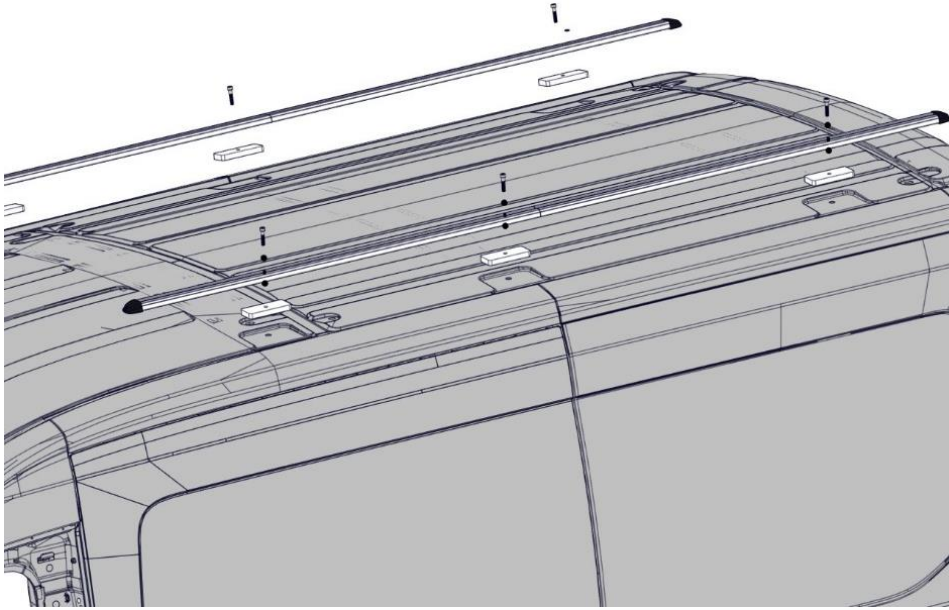
**Step 2.**  
Slide joining block (02P125) into channels. Fasten with  $\frac{1}{4}$  X  $\frac{1}{2}$  flat cap screws (RM518011) using 5/32 Allen Wrench



**Step 3. (130" WB)**  
Starting with the rear bolt, use the 2nd hole from the end, Located approx. 13" from the end

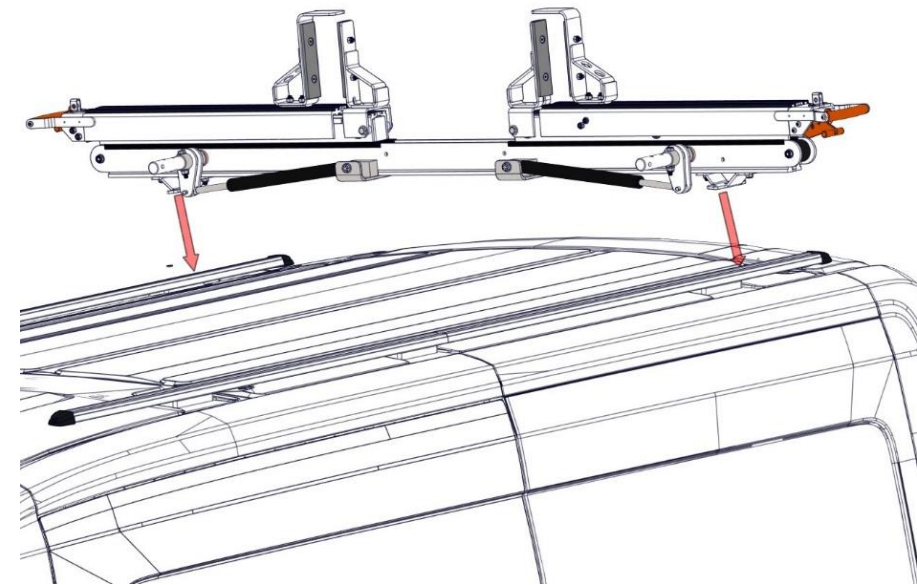


**Step 3. (148" WB)**  
Starting with the rear bolt, use the 1<sup>st</sup> hole from the end, located approx. 4" from the end



**Step 4.**

Fasten rails using 8 X 40MM socket cap screws (02P332) with nylon spacers (02P135) in between rail. Use the 6mm Allen wrench to tighten bolts.



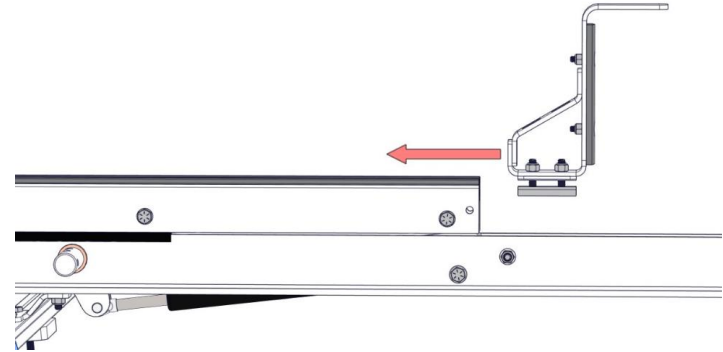
**Step 7.**

Lay rear crossbow across mounting rails



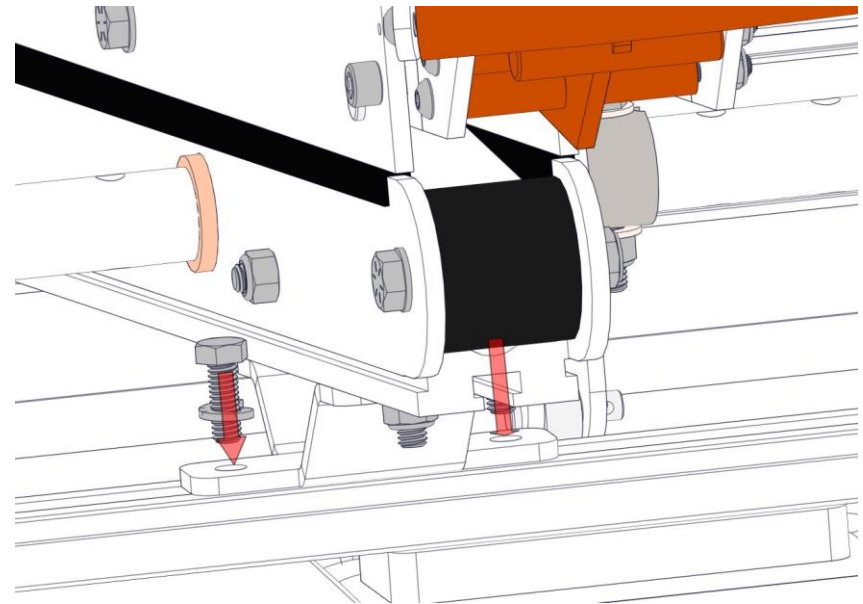
**Step 5.**

Slide ladder stop (02P665) inside drop down, and tighten with 9/16 socket or wrench



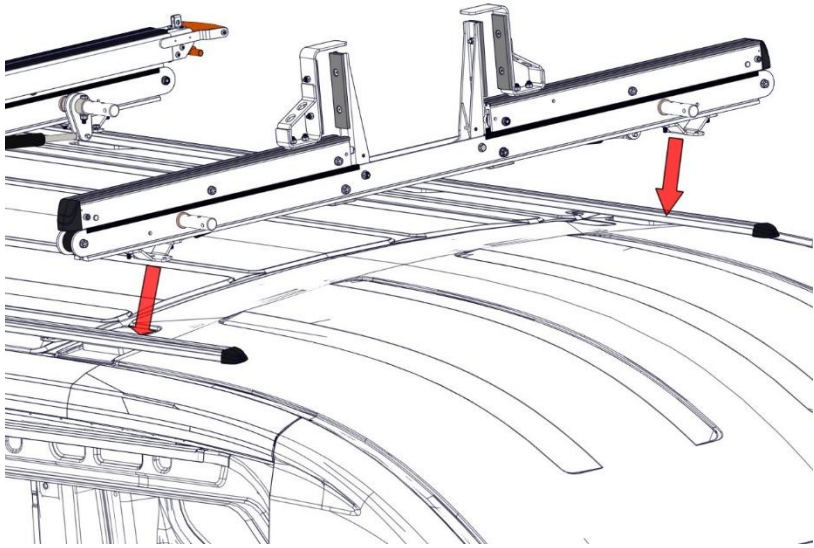
**Step 6.**

Slide ladder stop (02P664) tighten bolts using 9/16 socket or wrench

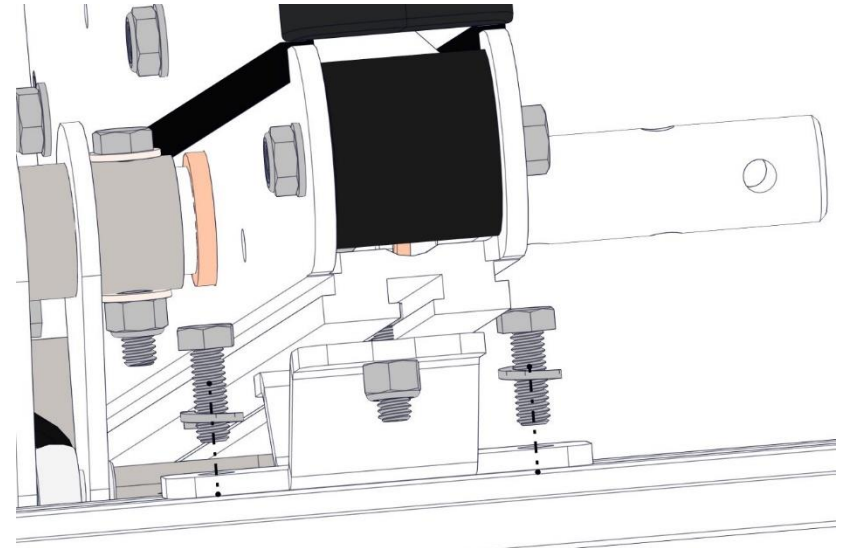


**Step 8.**

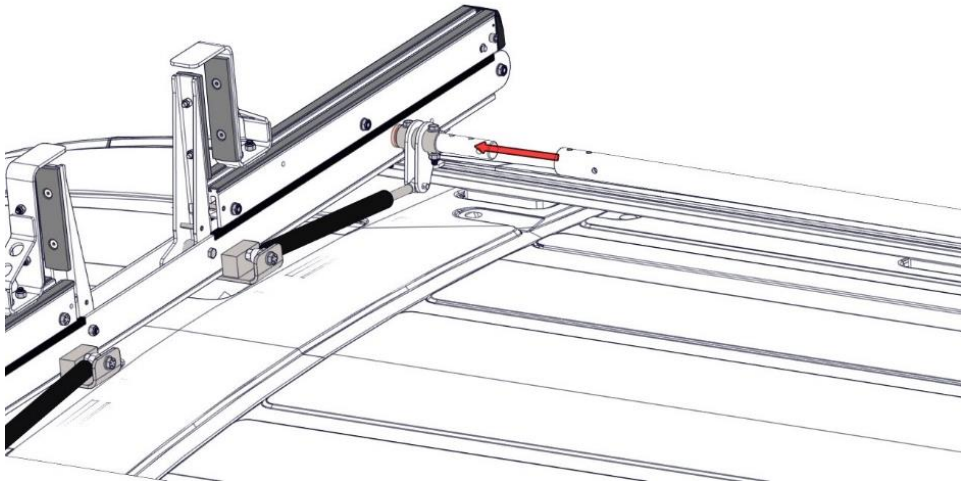
Install 5/16 X 7/8 bolts (4) with lock washers (4) through crossbow mounts into receiver blocks **Do not tighten**



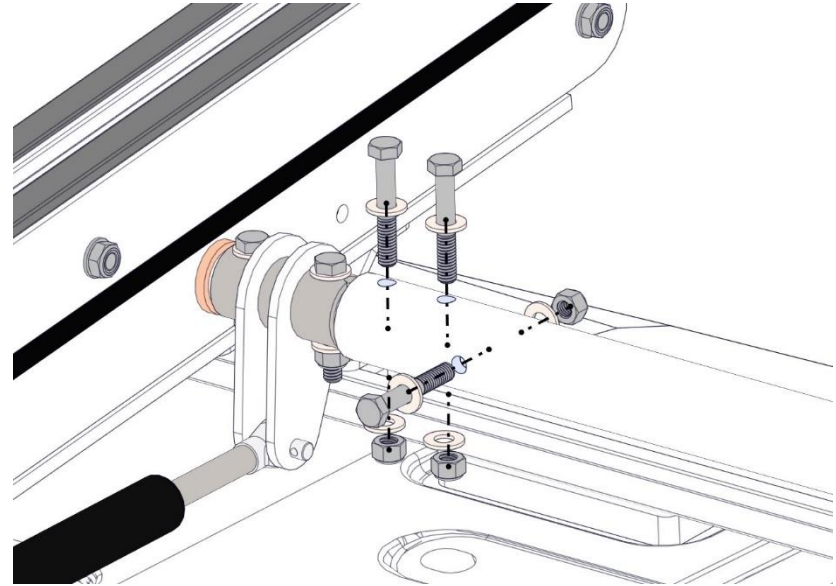
**Step 9.**  
Lay front crossbow across mounting rails



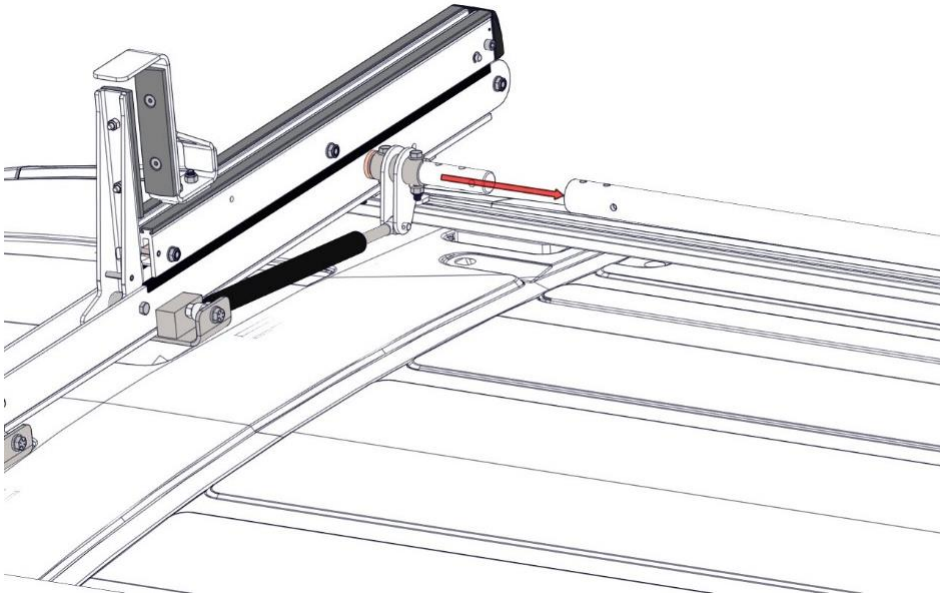
**Step 10.**  
Install 5/16 X 7/8 bolts (4) with lock washers (4) through crossbow mounts into receiver blocks **Do not tighten**



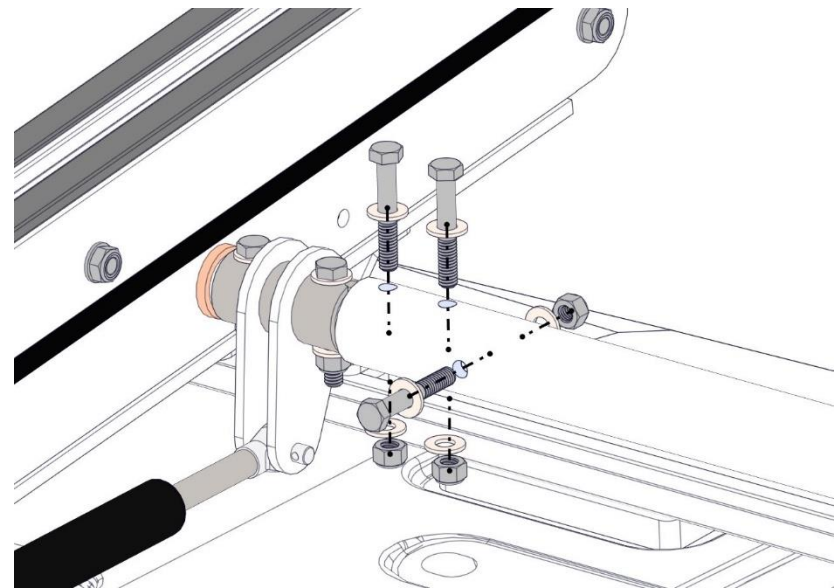
**Step 11.**  
Slide Connecting tubes (02P328) into front crossbow. Line holes up with crossbow rod and connecting tube



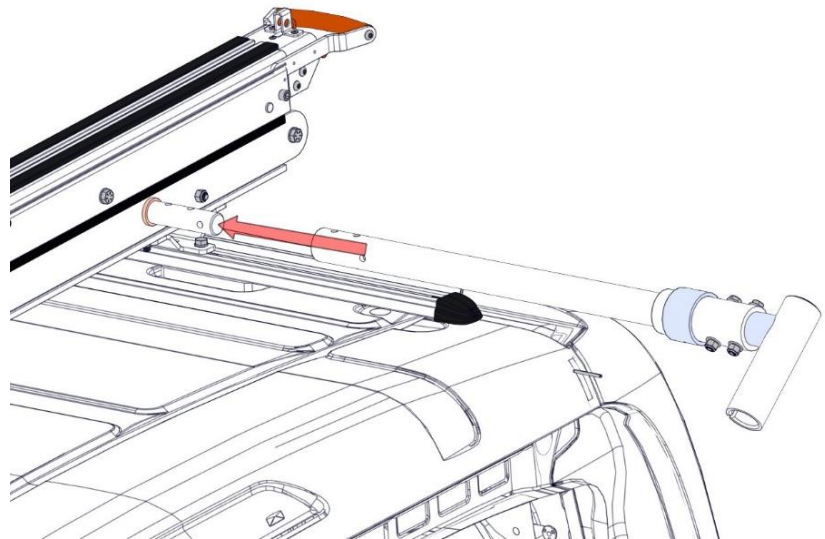
**Step 12.**  
Install connecting tubes with 5/16 X 2-1/2 fasteners (6) & washers (12)



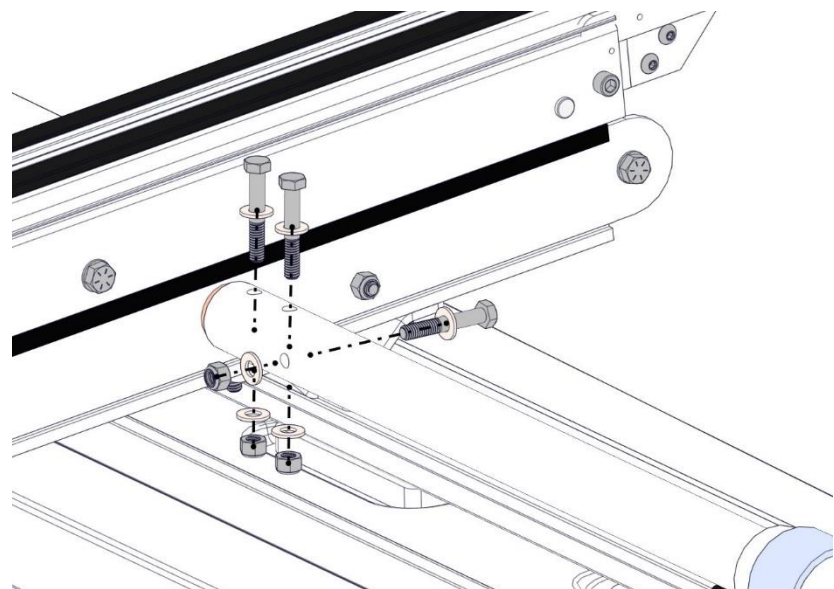
**Step 13.**  
Slide rear crossbow into connecting tubes



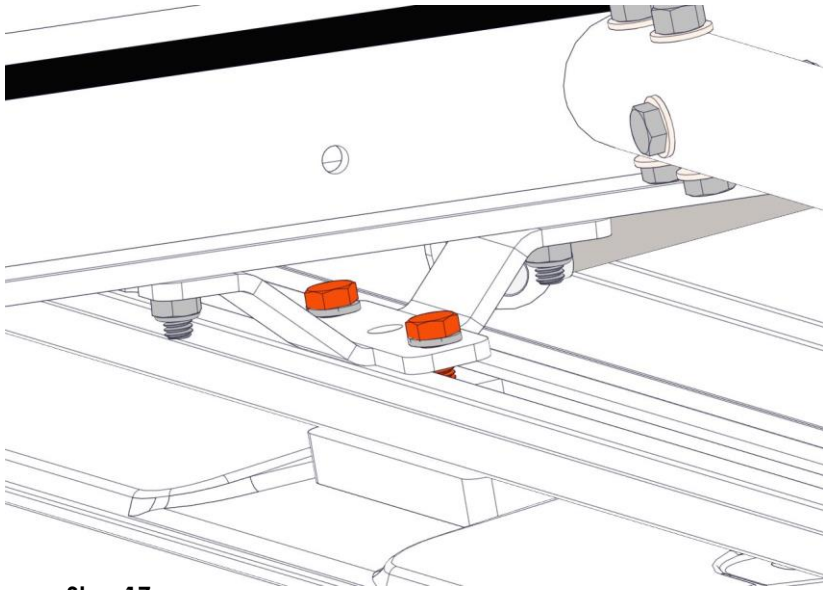
**Step 14.**  
Install connecting tubes with 5/16 X 2-1/2 fasteners (6) & washers (12)



**Step 15.**  
Install handle assembly into rear crossbow



**Step 16.**  
Fasten handle with 5/16 X 2-1/2 bolts (6) and washers (12)



**Step 17.**  
Tighten crossbow bolts