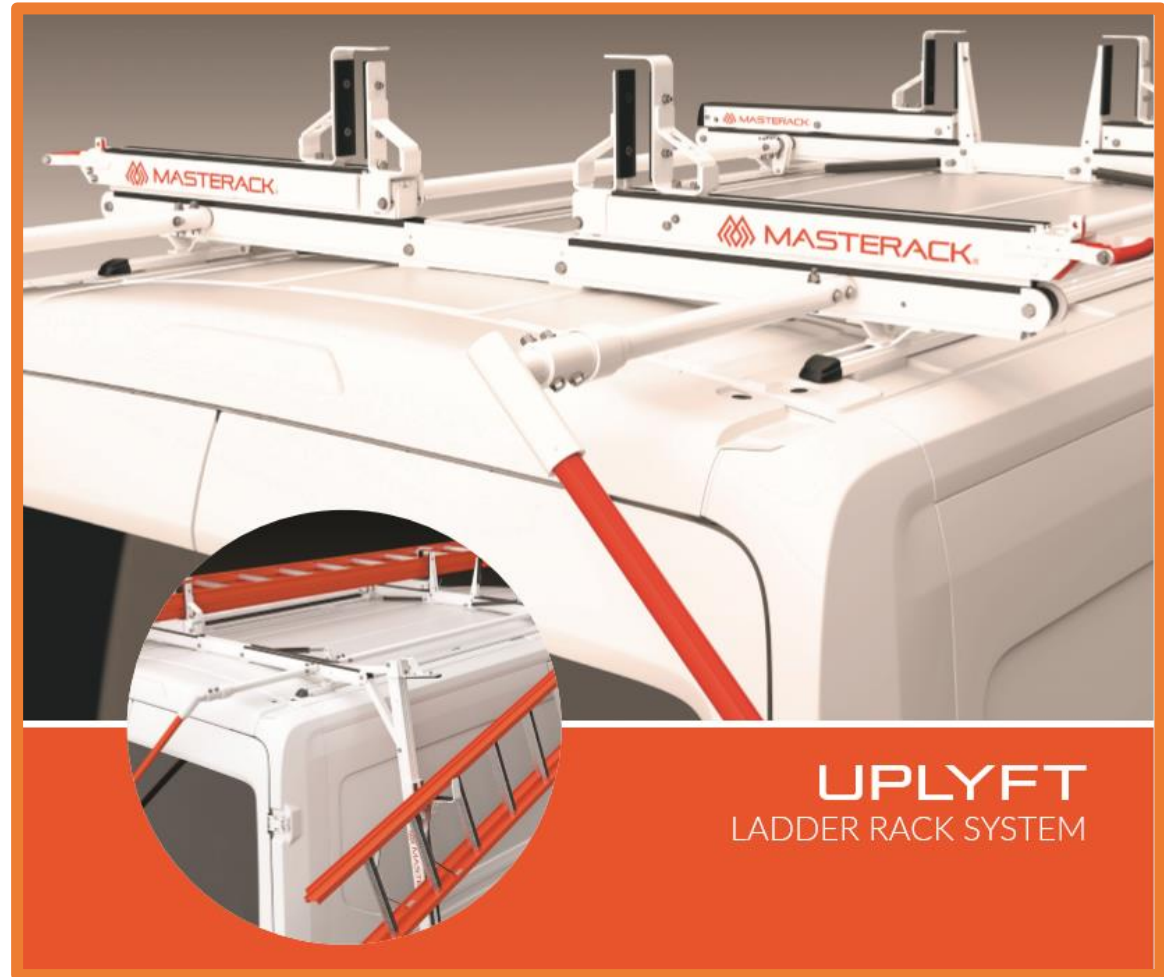


ASSEMBLY / INSTALLATION INSTRUCTIONS

Recommended Tools

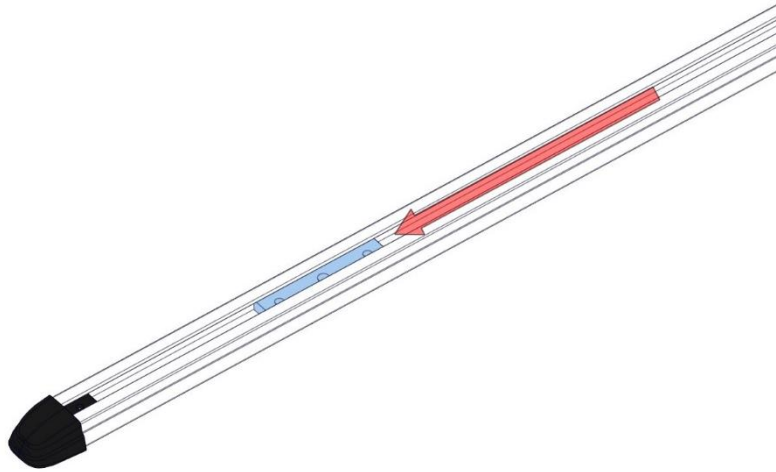
- Air or Hand Ratchet  9/16" Socket 
- 9/16" Combo Wrench 
- Torque Wrench 
- 6mm Hex and 5/32 Hex Allen Wrench 

Review this document to ensure that all parts and hardware are included in the package, before installation. In the event that parts are missing please contact Masterack @ 1-800-222-8785, to re-order missing parts.

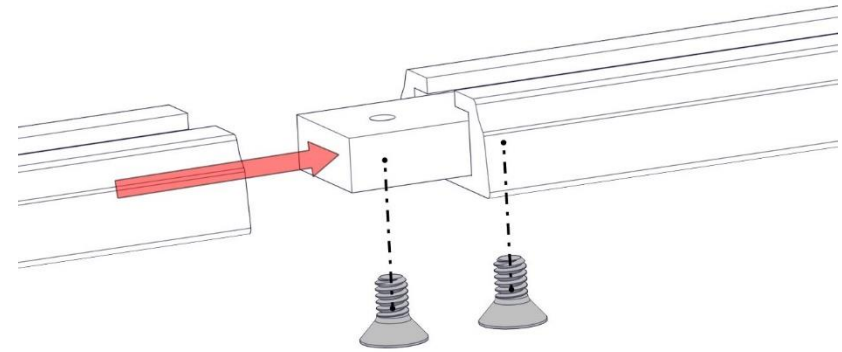


UPLYFT LADDER RACK SYSTEM

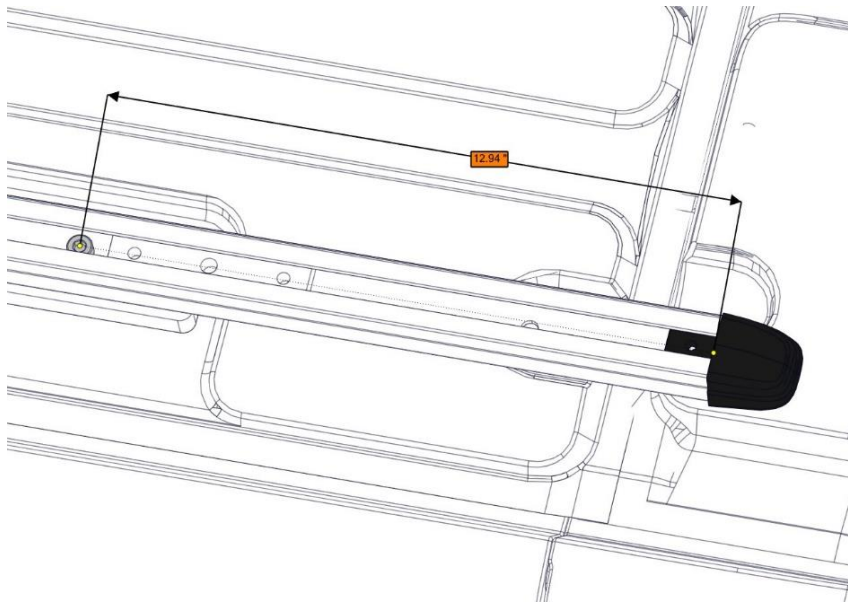
BEFORE INSTALLATION PLEASE REVIEW THIS ENTIRE DOCUMENT, UNTIL YOU ARE COMPLETELY FAMILIAR WITH ALL STEPS BEFORE BEGINNING. A "PRACTICE RUN" OF THESE STEPS / PROCEDURES MAY BE HELPFUL TO ASSIST YOU IN FAMILIARIZING YOURSELF THOROUGHLY, AND AVOIDING COSTLY ERRORS.



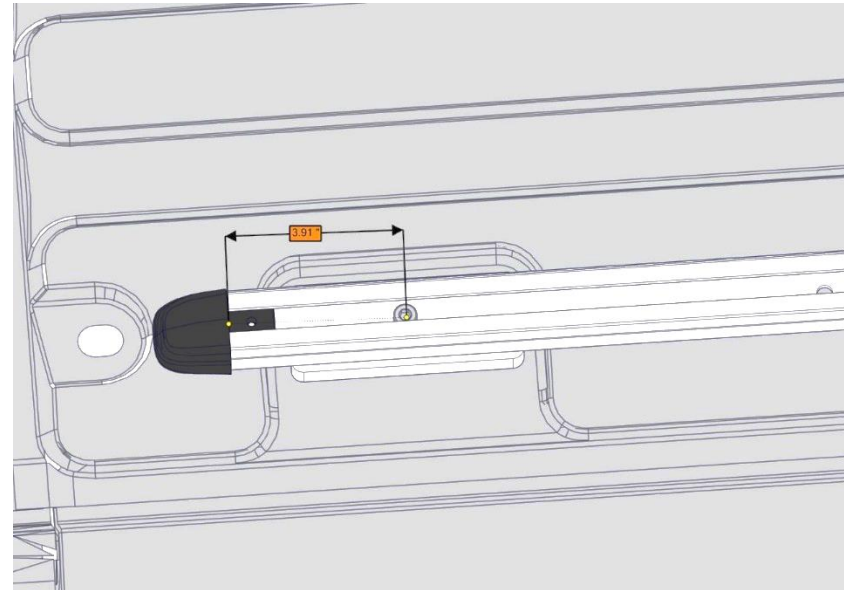
Step 1.
Slide receiver block (02P118) into both mounting rails (02P112)



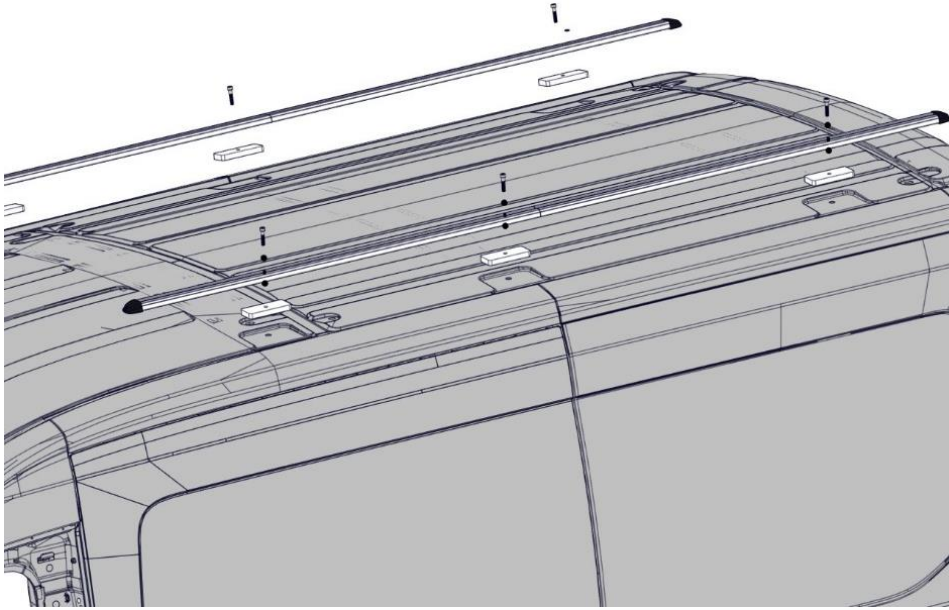
Step 2.
Slide joining block (02P125) into channels. Fasten with $\frac{1}{4}$ X $\frac{1}{2}$ flat cap screws (RM518011) using 5/32 Allen Wrench



Step 3. (130" WB)
Starting with the rear bolt, use the 2nd hole from the end, Located approx. 13" from the end

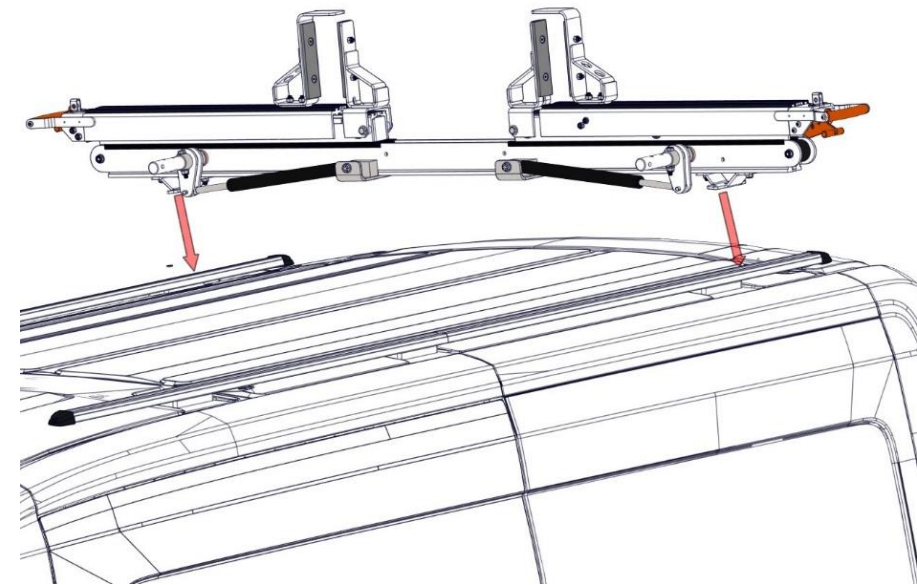


Step 3. (148" WB)
Starting with the rear bolt, use the 1st hole from the end, located approx. 4" from the end



Step 4.

Fasten rails using 8 X 40MM socket cap screws (02P332) with nylon spacers (02P135) in between rail. Use the 6mm Allen wrench to tighten bolts.



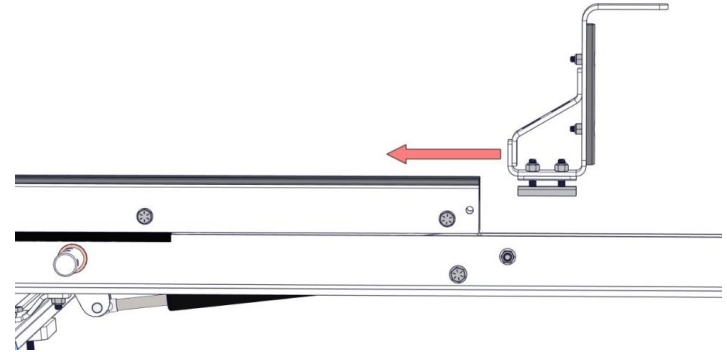
Step 7.

Lay rear crossbow across mounting rails



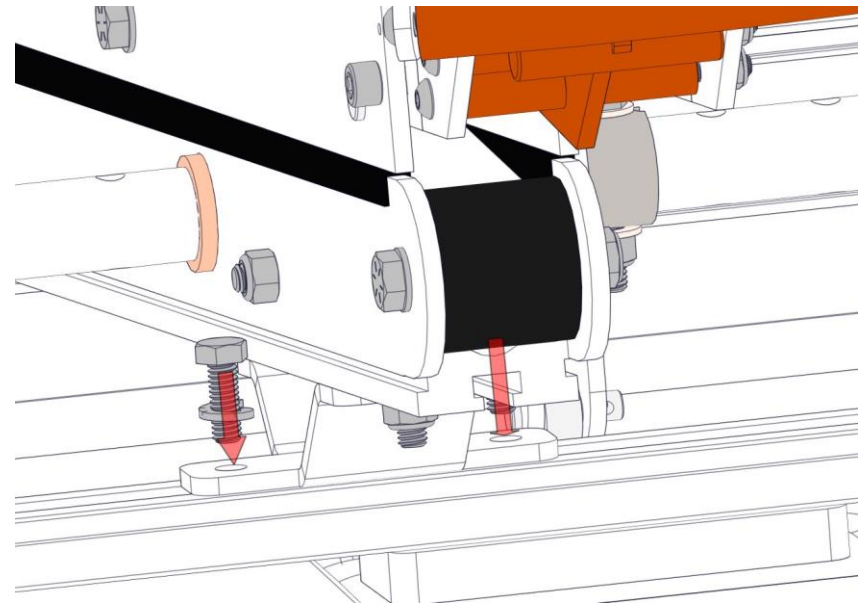
Step 5.

Slide ladder stop (02P665) inside drop down, and tighten with 9/16 socket or wrench



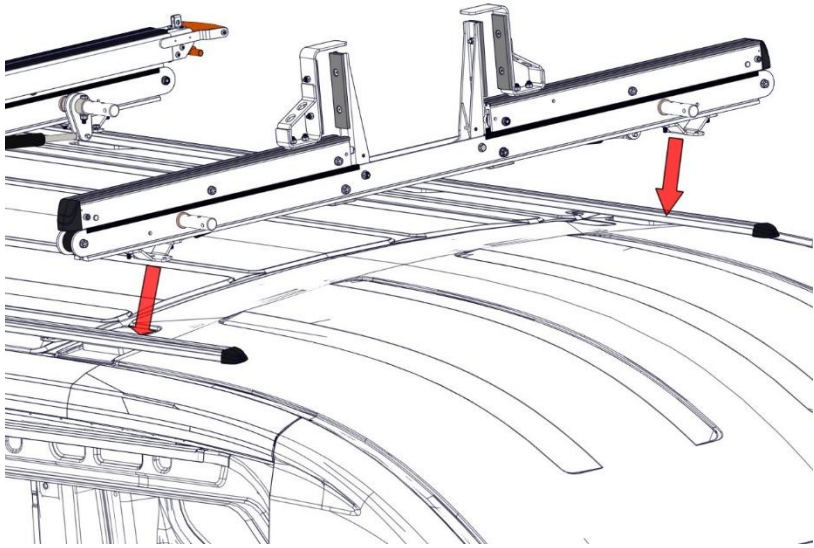
Step 6.

Slide ladder stop (02P664) tighten bolts using 9/16 socket or wrench

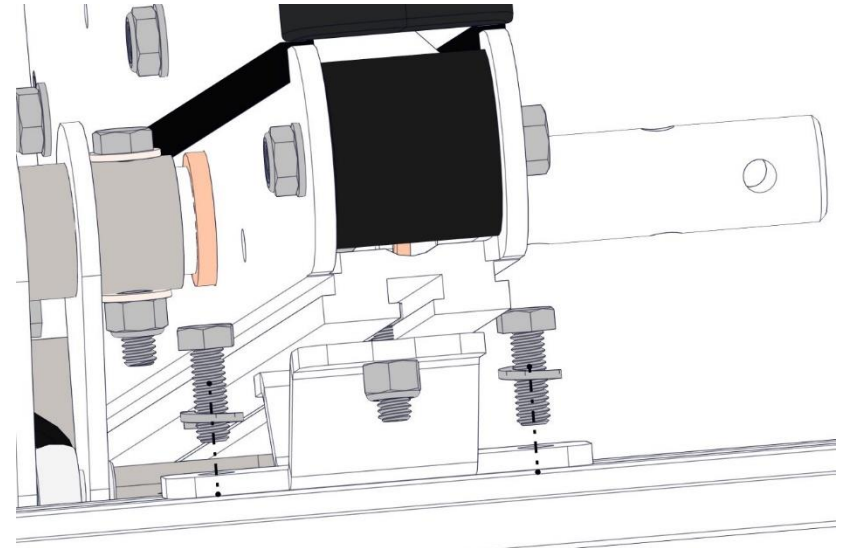


Step 8.

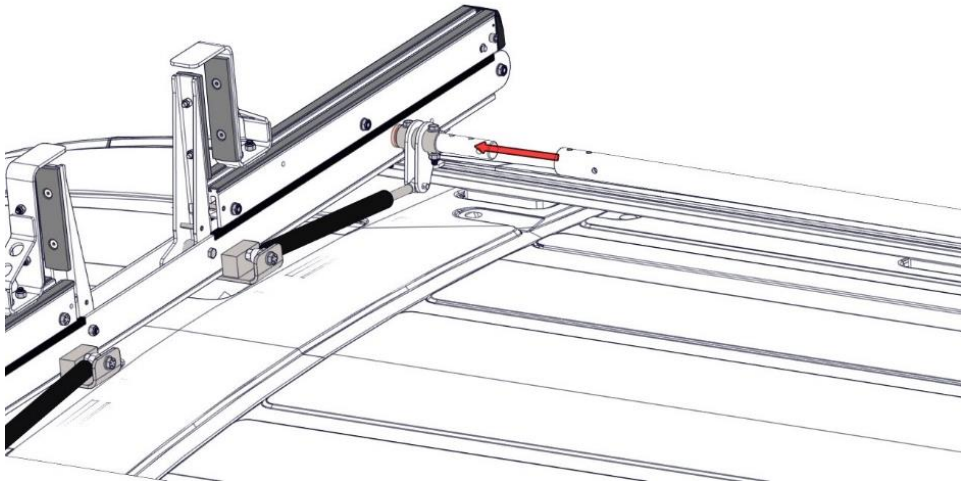
Install 5/16 X 7/8 bolts (4) with lock washers (4) through crossbow mounts into receiver blocks **Do not tighten**



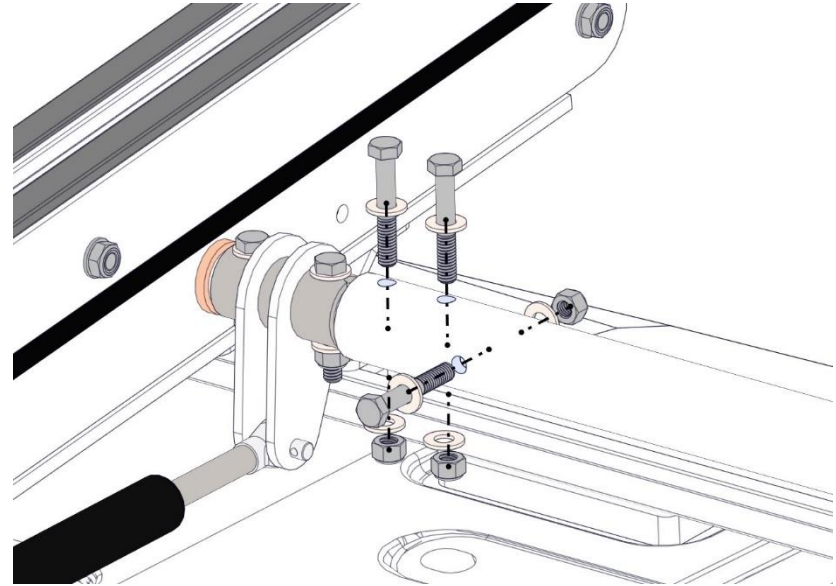
Step 9.
Lay front crossbow across mounting rails



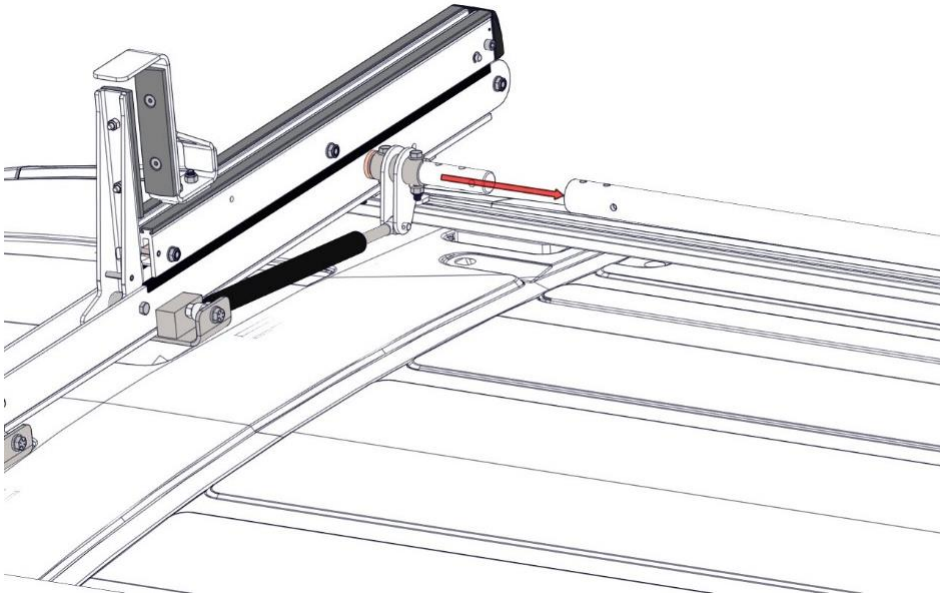
Step 10.
Install 5/16 X 7/8 bolts (4) with lock washers (4) through crossbow mounts into receiver blocks **Do not tighten**



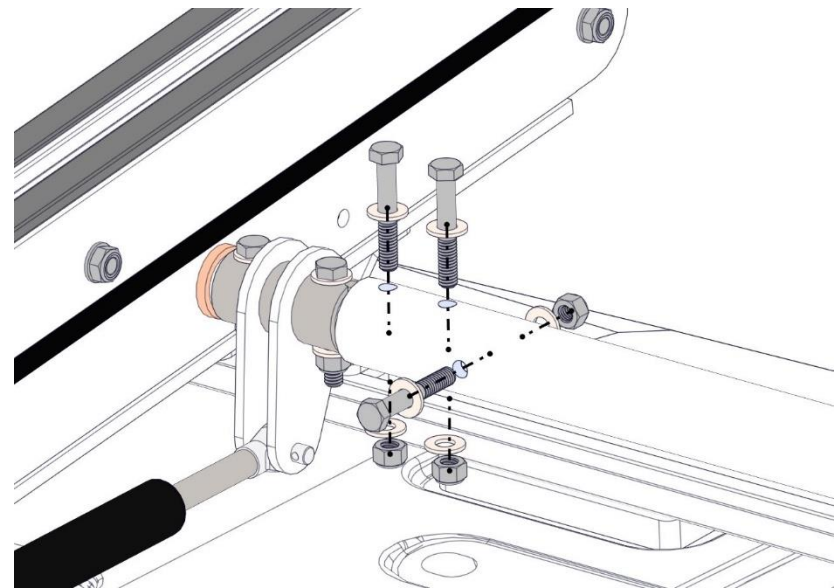
Step 11.
Slide Connecting tubes (02P328) into front crossbow. Line holes up with crossbow rod and connecting tube



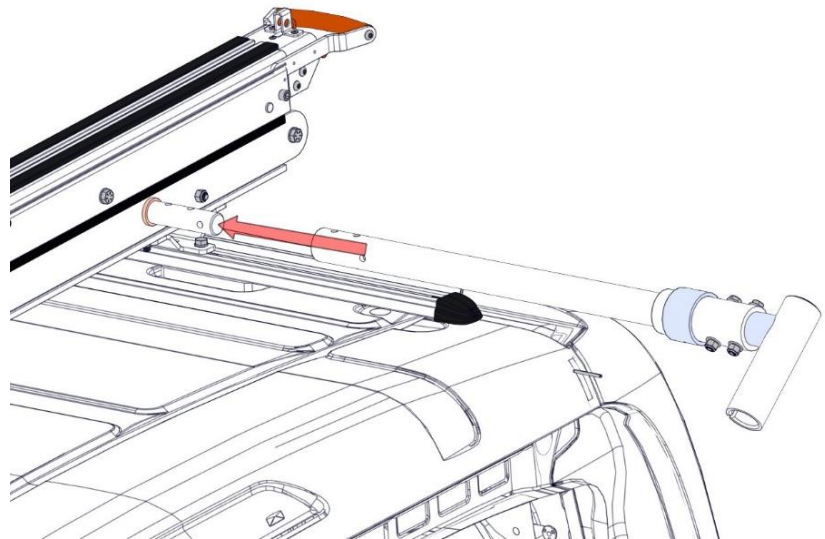
Step 12.
Install connecting tubes with 5/16 X 2-1/2 fasteners (6) & washers (12)



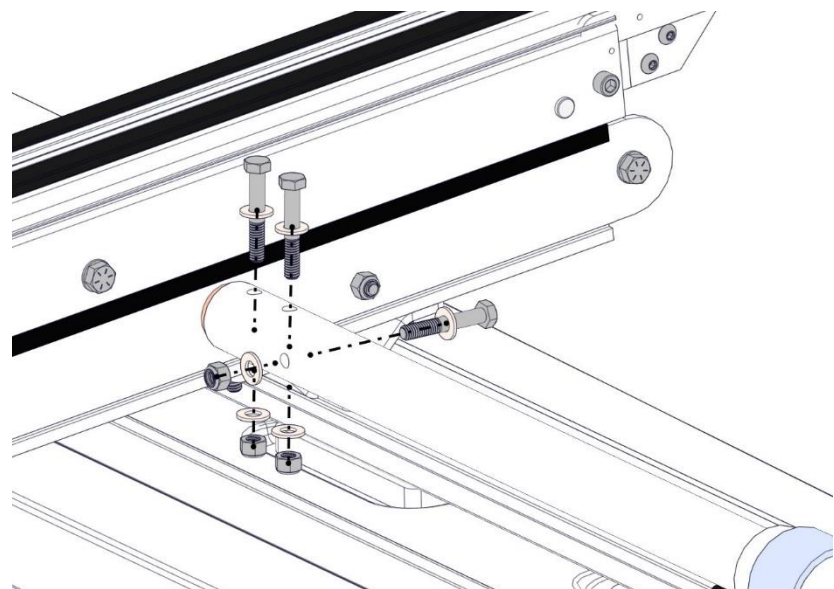
Step 13.
Slide rear crossbow into connecting tubes



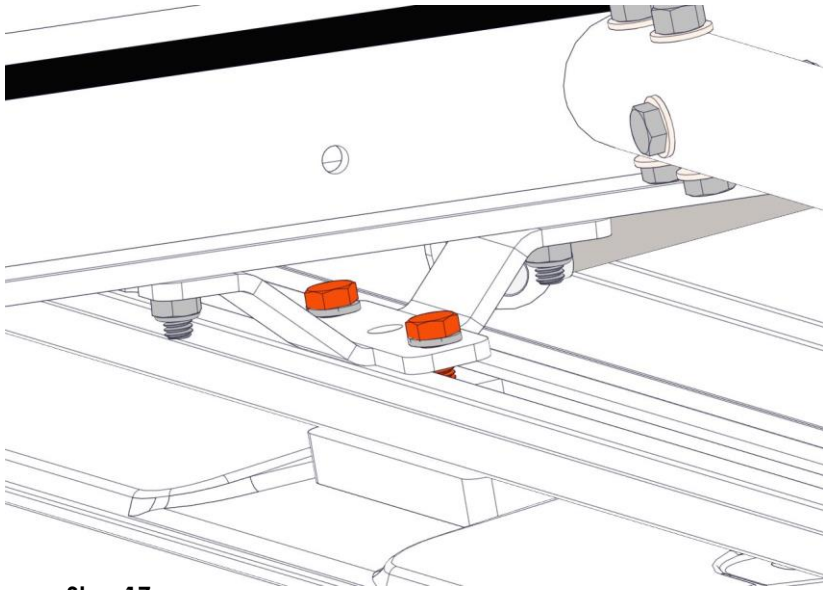
Step 14.
Install connecting tubes with 5/16 X 2-1/2 fasteners (6) & washers (12)



Step 15.
Install handle assembly into rear crossbow



Step 16.
Fasten handle with 5/16 X 2-1/2 bolts (6) and washers (12)



Step 17.
Tighten crossbow bolts