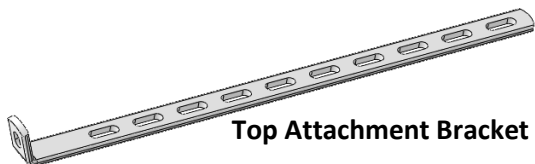
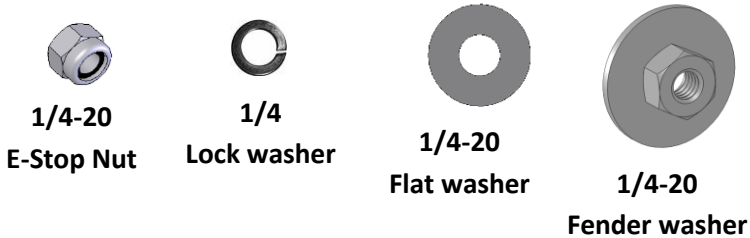


# MASTERACK<sup>®</sup> ASSEMBLY / INSTALLATION INSTRUCTIONS

## Recommended Tools

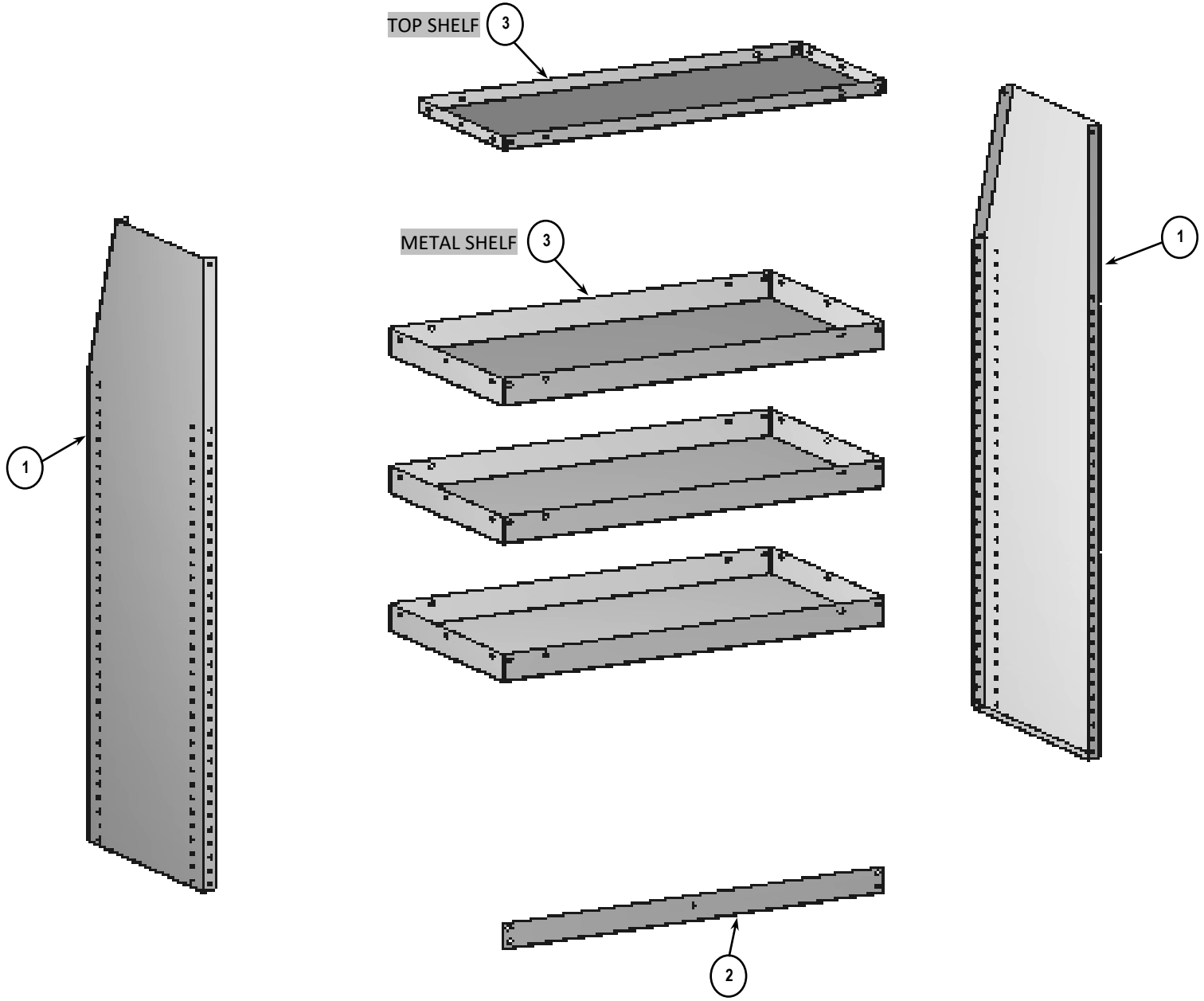


## Hardware

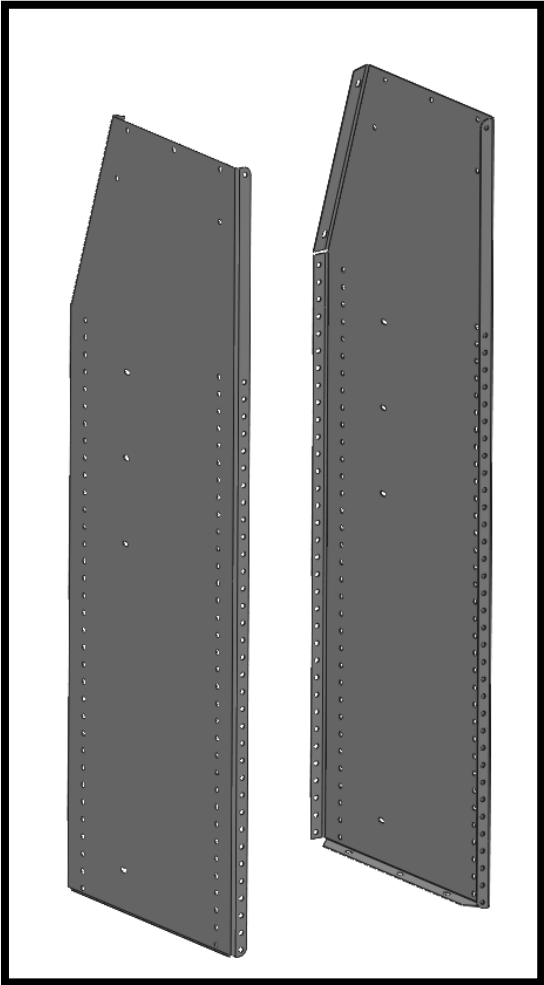


**TAPERED MODULES**

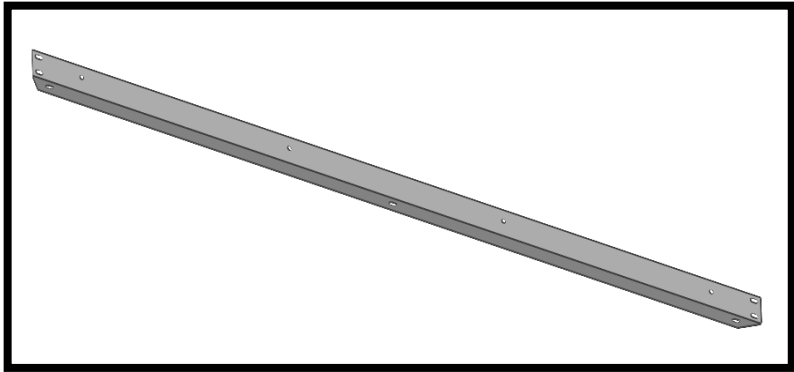
**EXPLODED VIEW**



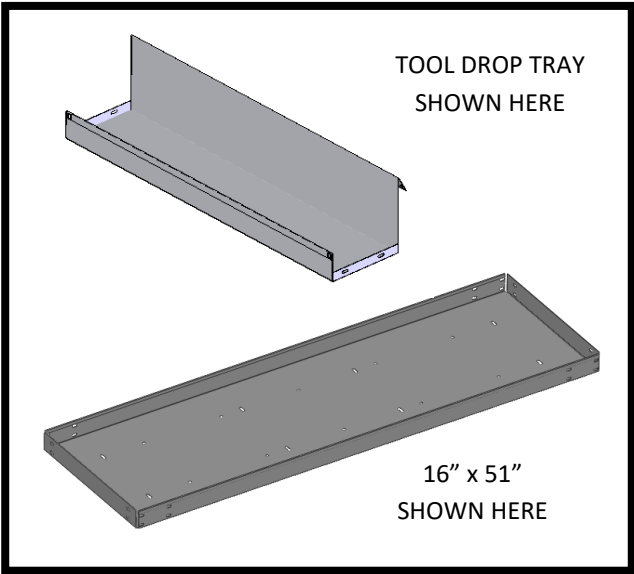
**COMPONENTS**



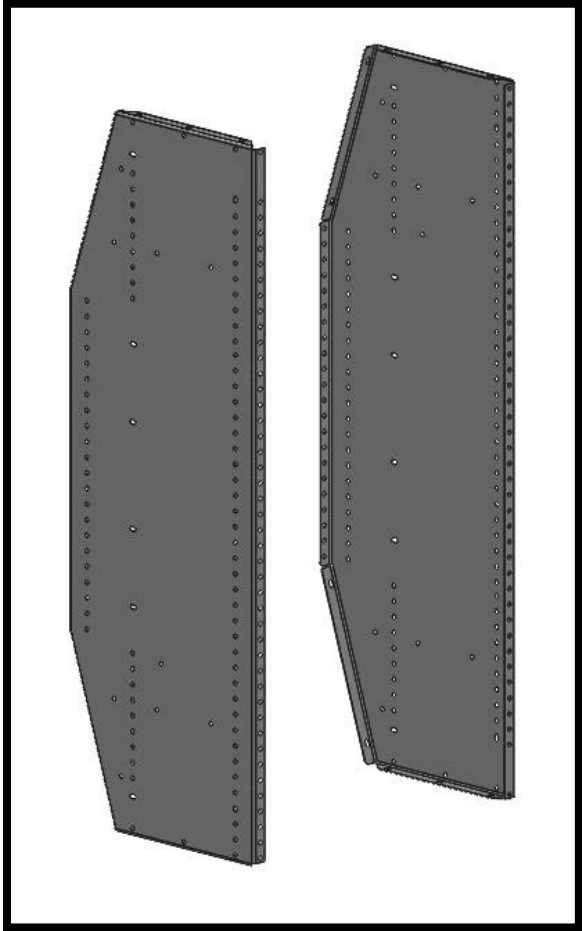
**1** TAPERED UPRIGHT (SET OF 2)



**2** FLOOR BRACE



**3** METAL SHELF

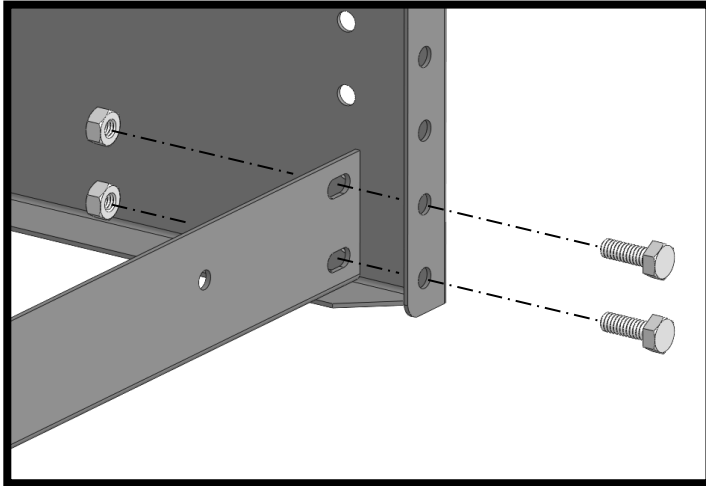


**4** DOUBLE TAPERED UPRIGHT (SET OF 2)

SHELVING MODULE	UPRIGHTS (L & R SET) ①	FLOOR BRACE ②	METAL SHELF ③	TOOL DROP TRAY ③
027545KP [46H x 37W x 12D]	027167	023058	021381 – QTY. 2	027165
027546KP [46H x 43W x 12D]	027167	023059	021382 – QTY. 2	027792
027538KP [46H x 19W x 16D]	022395	023055	021378 –TOP SHELF 025153 – QTY. 3	
022817KP [46H x 25W x 16D]	022395	023056	021379 –TOP SHELF 022816 – QTY. 3	
022432KP [46H x 31W x 16D]	022395	023057	021380 –TOP SHELF 022398 – QTY. 3	
022433KP [46H x 37W x 16D]	022395	023058	021381 –TOP SHELF 022397 – QTY. 3	
022434KP [46H x 43W x 16D]	022395	023059	021382 –TOP SHELF 022396 – QTY. 3	
025591KP [46H x 43W x 16D]	022395	025680	025572 –TOP SHELF 025571 – QTY. 3	

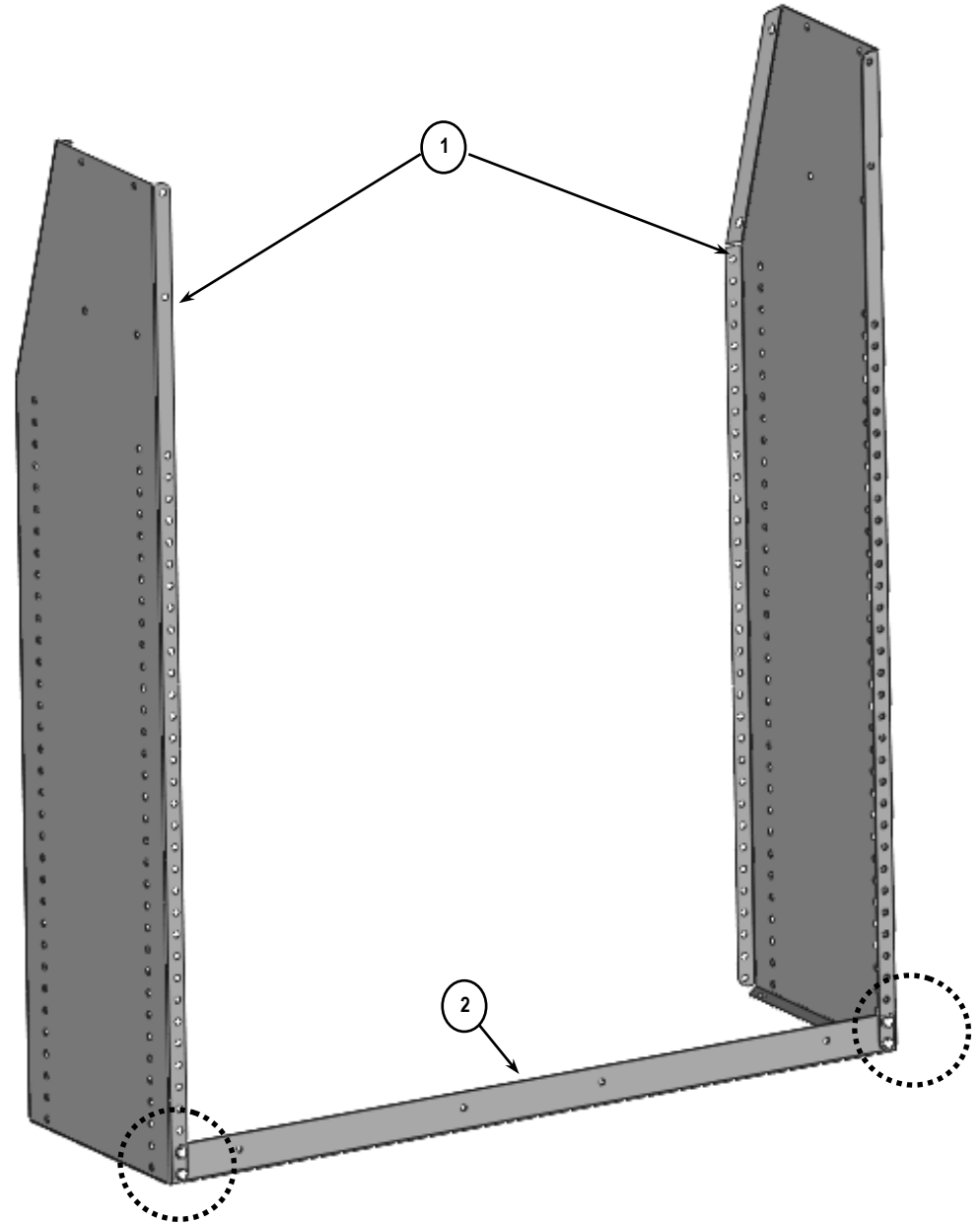
④ <b>DOUBLE TAPERED UPRIGHT</b> (L & R SET)
02N673_46H" x 16D"
02N673_46H" x 12D"
02N673_60H" x 16D"

## ATTACHING FLOOR BRACE

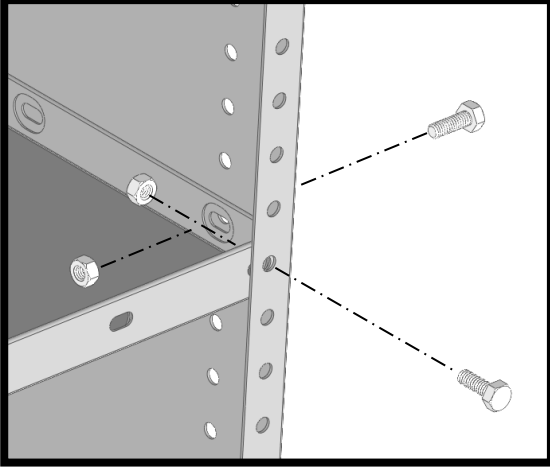


Attach as shown using:  
(4) 1/4-20 x 3/4 Hex Head Screws  
(4) 1/4-20 E-Stop Nuts

**TORQUE SETTING:**  
Size - 1/4 = 7 - 9.5 Ft.-Lbs.

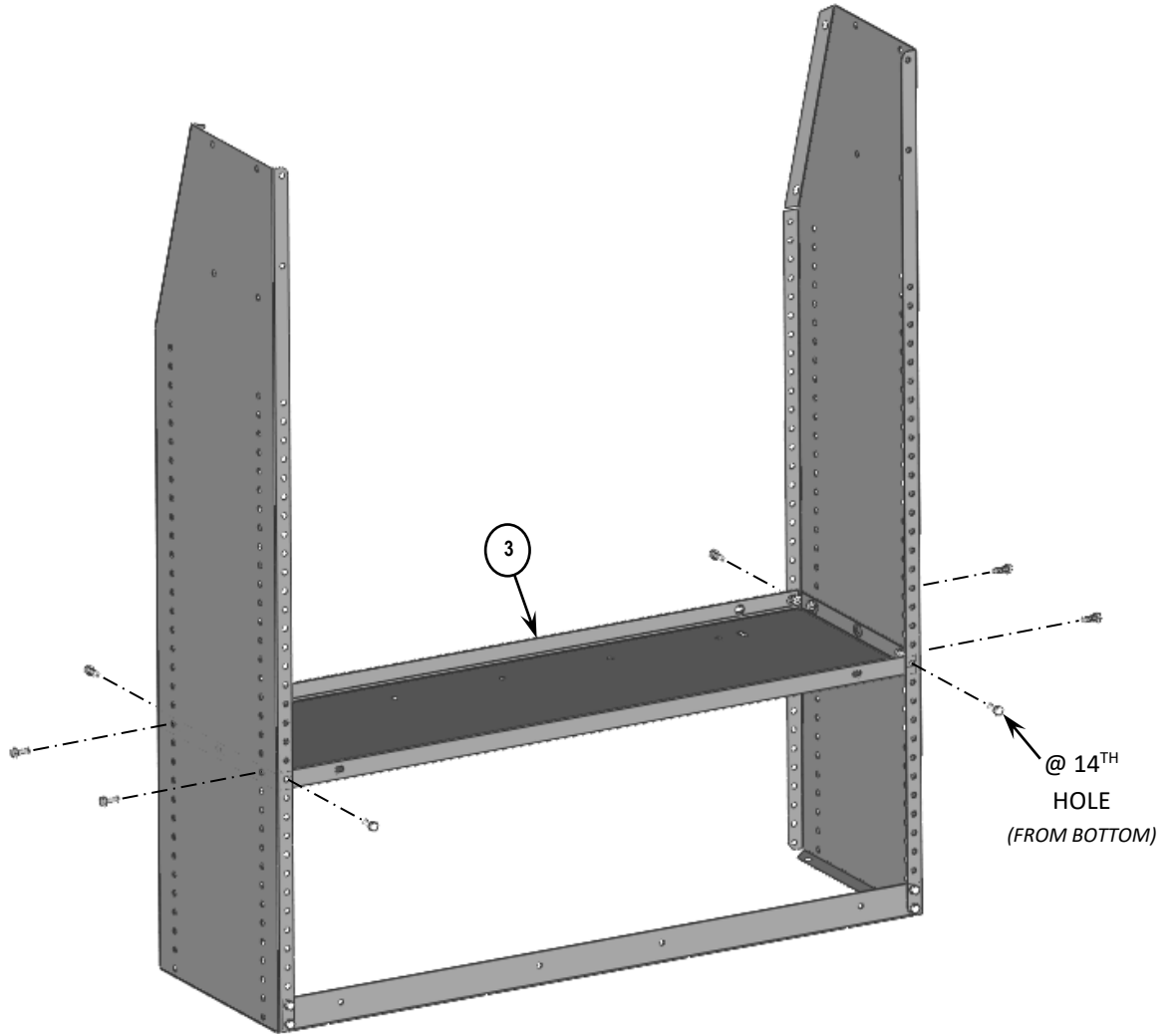


## ATTACHING BOTTOM SHELF



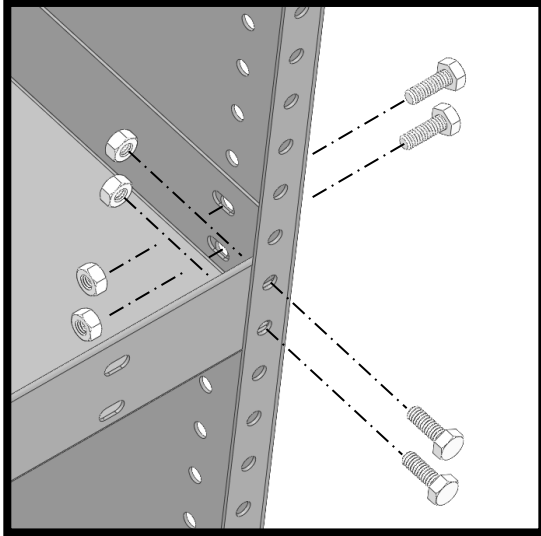
Attach Shelf as shown, using:  
(8) 1/4-20 x 3/4 Hex Head Screws  
(8) 1/4-20 E-Stop Nuts

**TORQUE SETTING:**  
Size – 1/4 = 7 – 9.5 Ft.-Lbs.



**APPLICABLE TO MODULES WITH:  
HEAVY DUTY SHELVES**

**ATTACHING BOTTOM SHELF**



Attach **Heavy Duty Shelves** as shown, using:

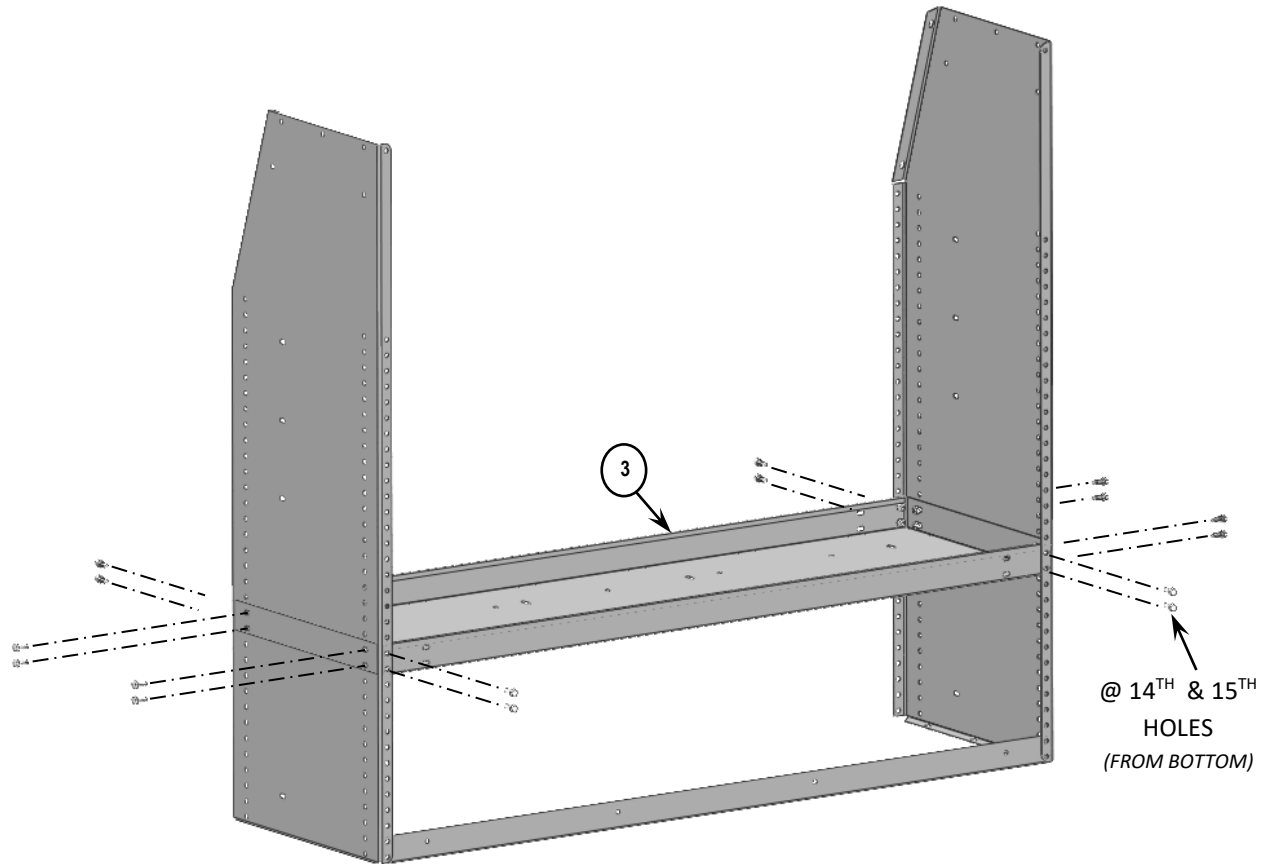
(16) 1/4-20 x 3/4 Hex Head Screws

(16) 1/4-20 E-Stop Nuts

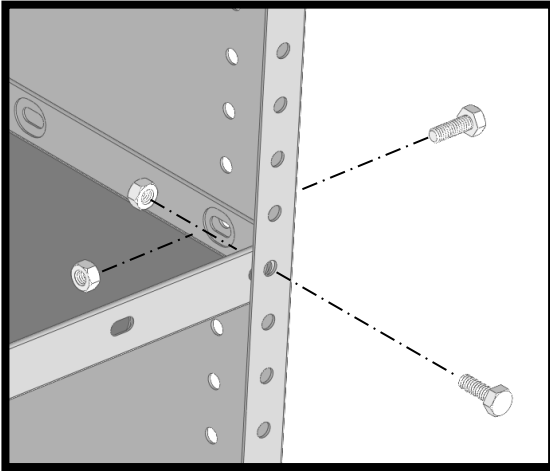
- PER SHELF -

**TORQUE SETTING:**

Size – 1/4 = 7 – 9.5 Ft.-Lbs.



## ATTACHING REMAINING SHELVES



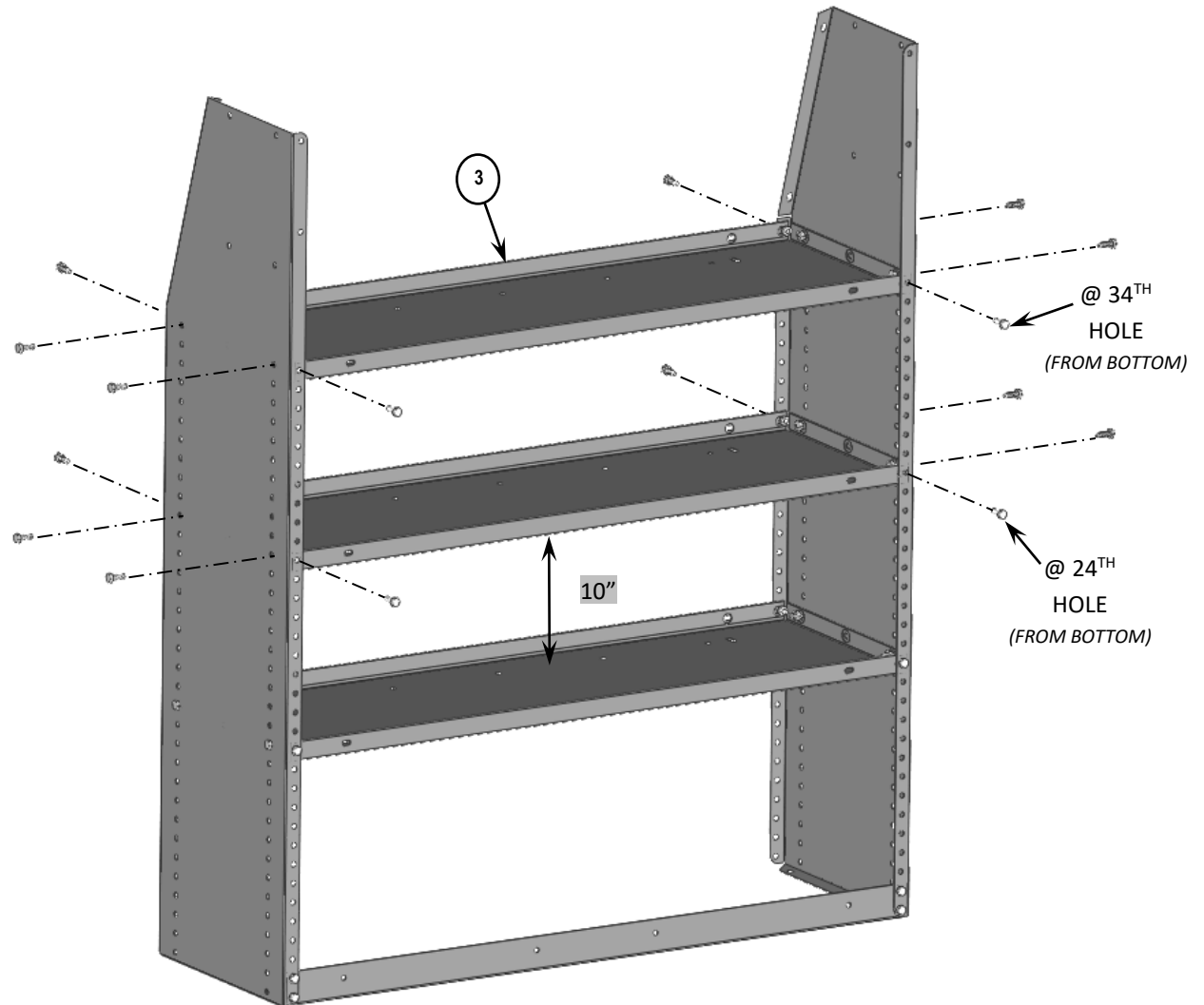
Attaching (2) Shelves as shown, using:  
(16) 1/4-20 x 3/4 Hex Head Screws  
(16) 1/4-20 E-Stop Nuts

**TORQUE SETTING:**

Size - 1/4 = 7 - 9.5 Ft.-Lbs.

**NOTE:**

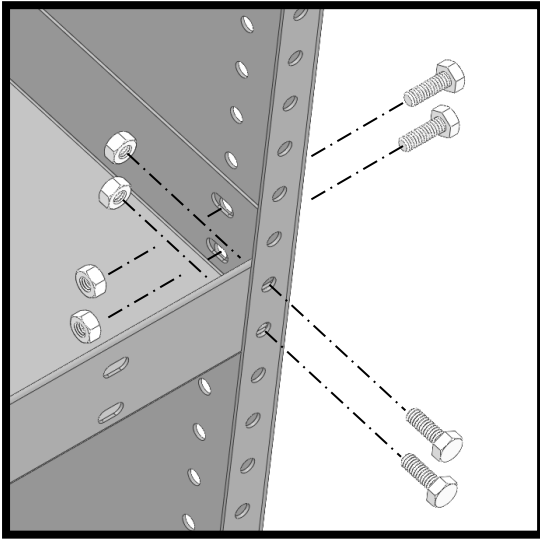
SHELVES ARE ADJUSTABLE TO FIT REQUIRED NEED.  
MOUNTING LOCATIONS SHOWN ARE STANDARD  
MOUNTING LOCATIONS 10 INCHES APART.





**APPLICABLE TO MODULES WITH:  
HEAVY DUTY SHELVES**

**ATTACHING  
REMAINING SHELVES**

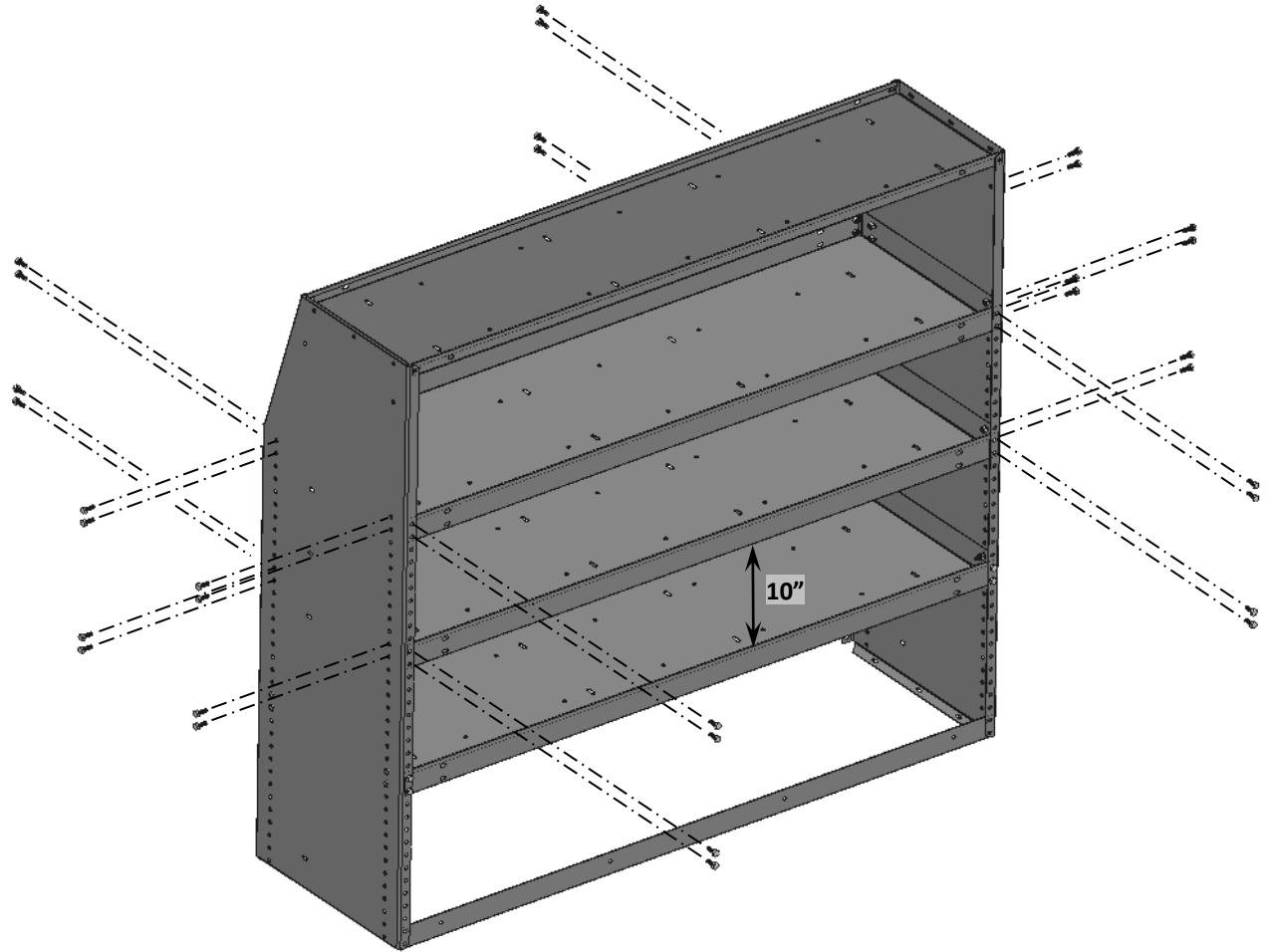


Attaching (2) HD Shelves as shown, using:  
(32) 1/4-20 x 3/4 Hex Head Screws  
(32) 1/4-20 E-Stop Nuts

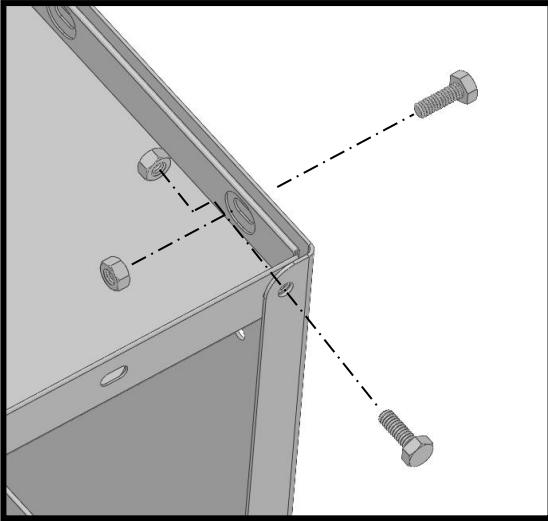
**TORQUE SETTING:**  
Size - 1/4 = 7 - 9.5 Ft.-Lbs.

**NOTE:**

SHELVES ARE ADJUSTABLE TO FIT REQUIRED NEED.  
MOUNTING LOCATIONS SHOWN ARE STANDARD  
MOUNTING LOCATIONS.

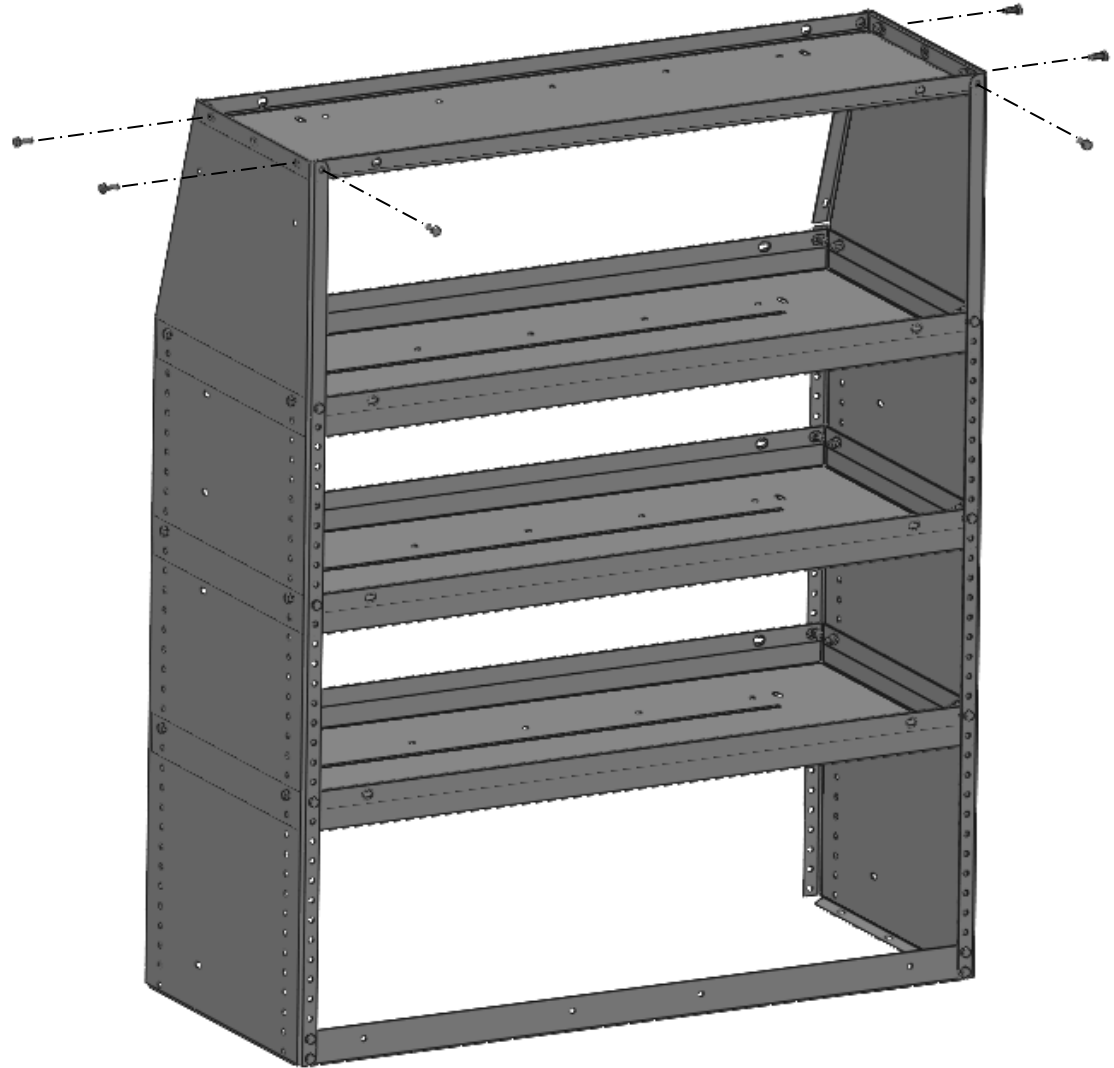


## ATTACHING TOP SHELF



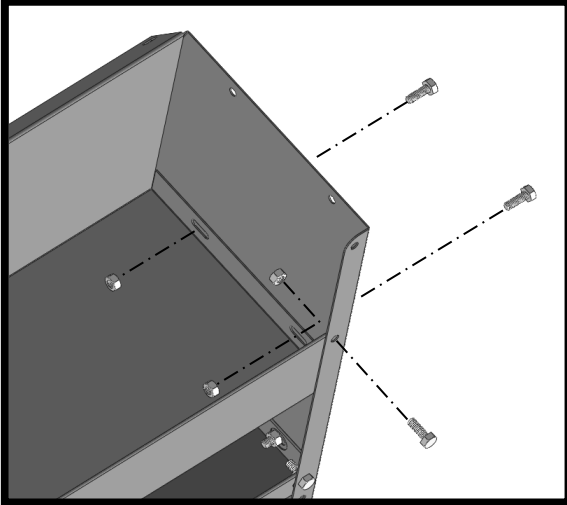
Attach Top Shelf as shown, using:  
(6) 1/4-20 x 3/4 Hex Head Screws  
(6) 1/4-20 E-Stop Nuts

**TORQUE SETTING:**  
Size – 1/4 = 7 – 9.5 Ft.-Lbs.



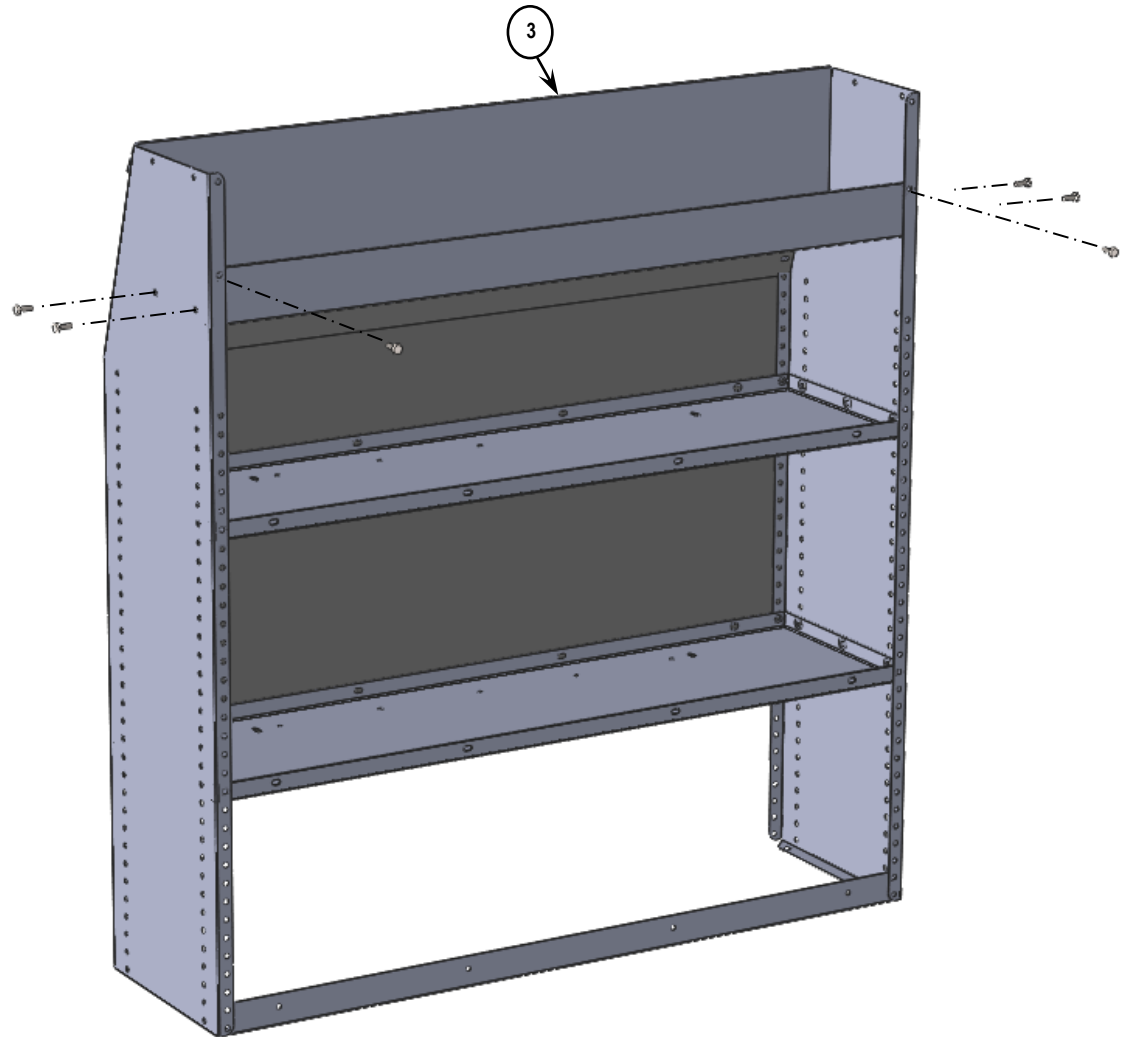
**APPLICABLE TO MODULES WITH:  
TOOL DROP TRAY w/ 2 SHELVES**

**ATTACHING  
TOOL DROP TRAY**



Attach Tool Drop Tray as shown, using:  
(6) 1/4-20 x 3/4 Hex Head Screws  
(6) 1/4-20 E-Stop Nuts

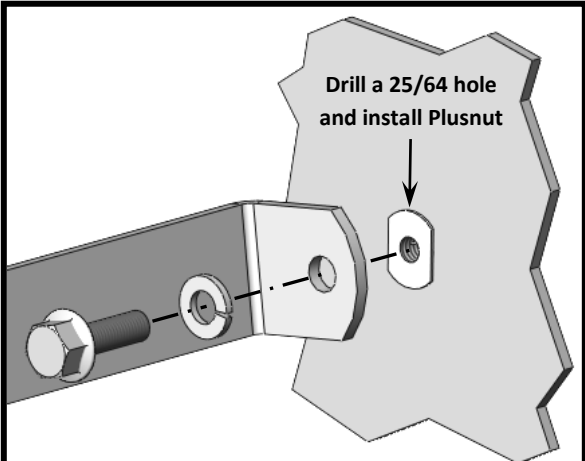
**TORQUE SETTING:**  
Size – 1/4 = 7 – 9.5 Ft.-Lbs.



**STANDARD INSTALLATION**

**BEFORE DRILLING**

**STOP** CHECK ALL MOUNTING LOCATIONS TO PREVENT PENETRATING GAS LINES, GAS TANKS, BRAKE LINES, WIRING OR ANY OTHER STRUCTURE OF VEHICLE **STOP**



Drill a 25/64 hole and install Plusnut

With module properly positioned in desired location in vehicle, attach brackets loosely at the locations shown. Mark and drill 25/64 holes to install Plusnuts and secure as shown using:

- (1) 1/4-20 x 1 1/4 Hex Head Screws
- (1) 1/4-20 Lock Washer

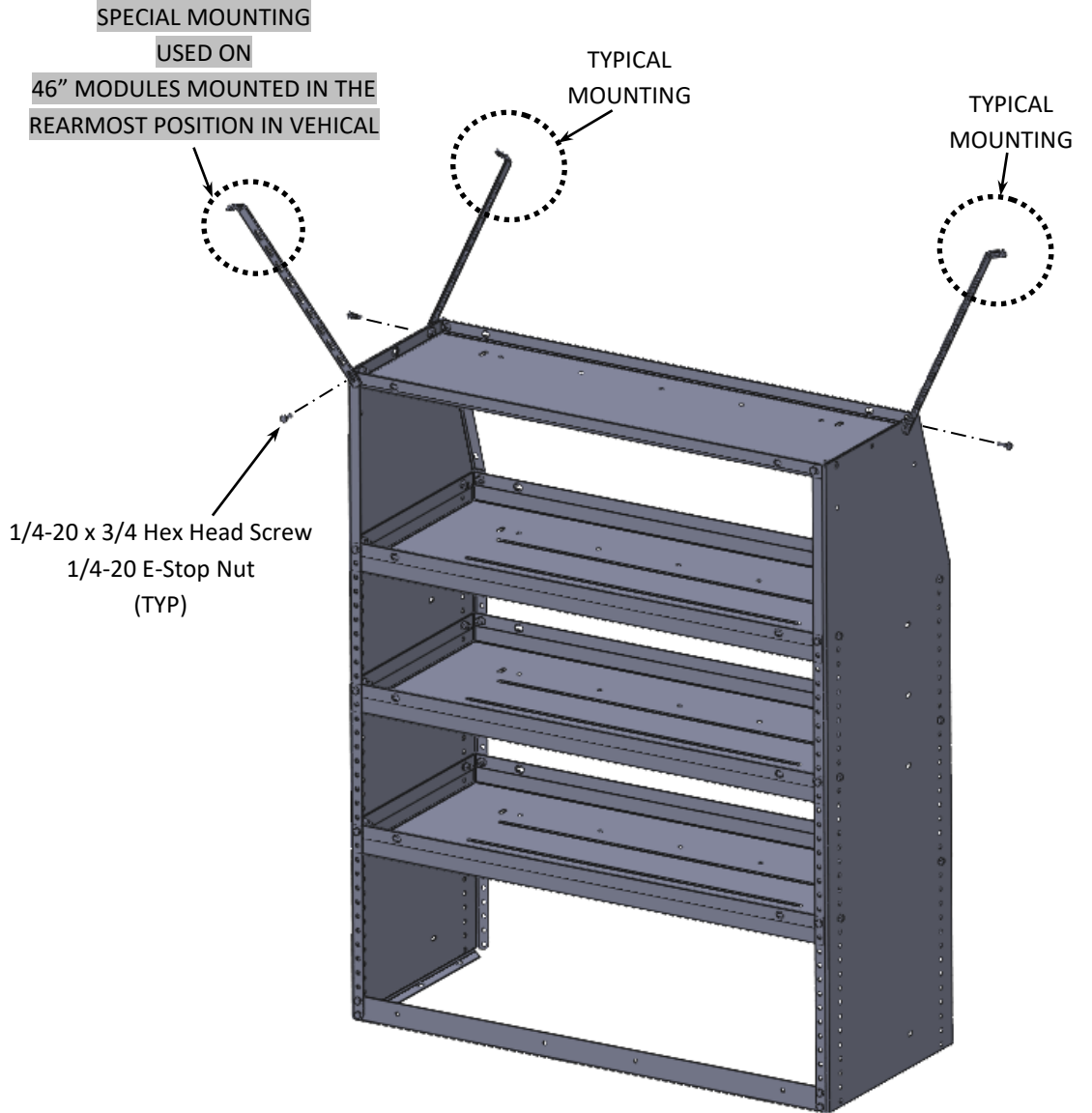
**AT EACH MOUNTING LOCATON**

**TORQUE SETTING:**  
Size - 1/4 = 7 - 9.5 Ft.-Lbs.

**SPECIAL MOUNTING**  
USED ON  
46" MODULES MOUNTED IN THE  
REAR MOST POSITION IN VEHICAL

**TYPICAL MOUNTING**

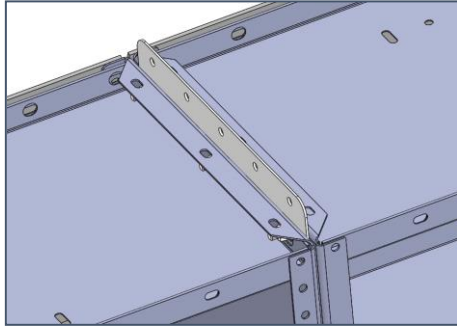
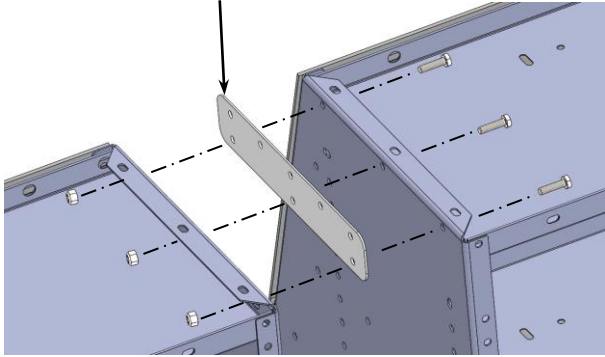
**TYPICAL MOUNTING**



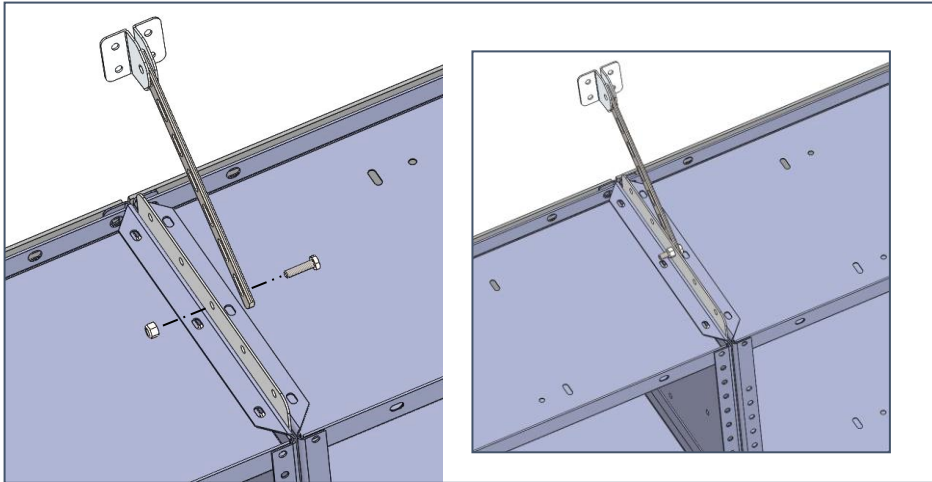
1/4-20 x 3/4 Hex Head Screw  
1/4-20 E-Stop Nut  
(TYP)

# CONNECTING and SECURING TWO DOUBLE TAPERED MODULES

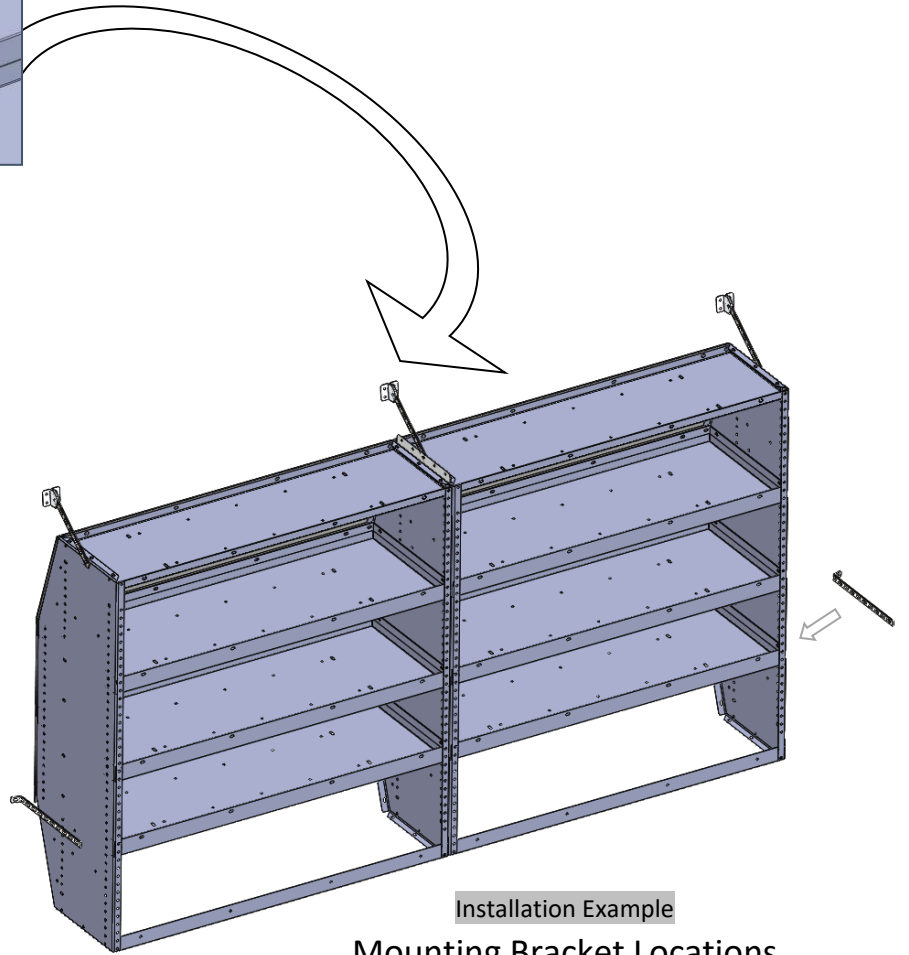
DOUBLE TAPER  
UPRIGHT BRACKET  
P/N: 02N845



Secure as shown, using:  
(3) 1/4-20 x 3/4 Hex Head Screws  
(3) 1/4-20 E-Stop Nuts

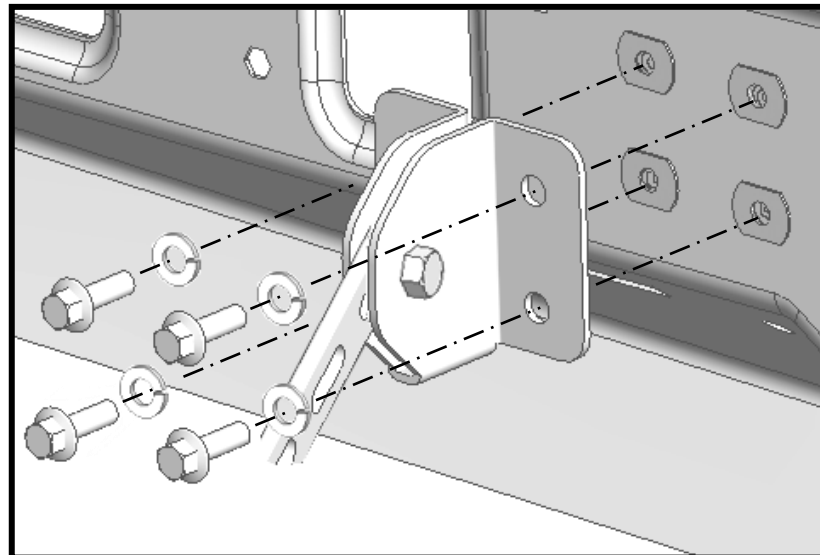
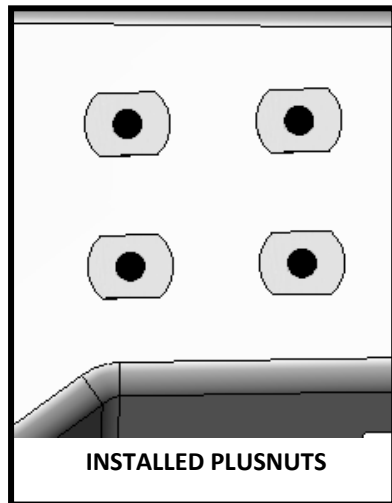
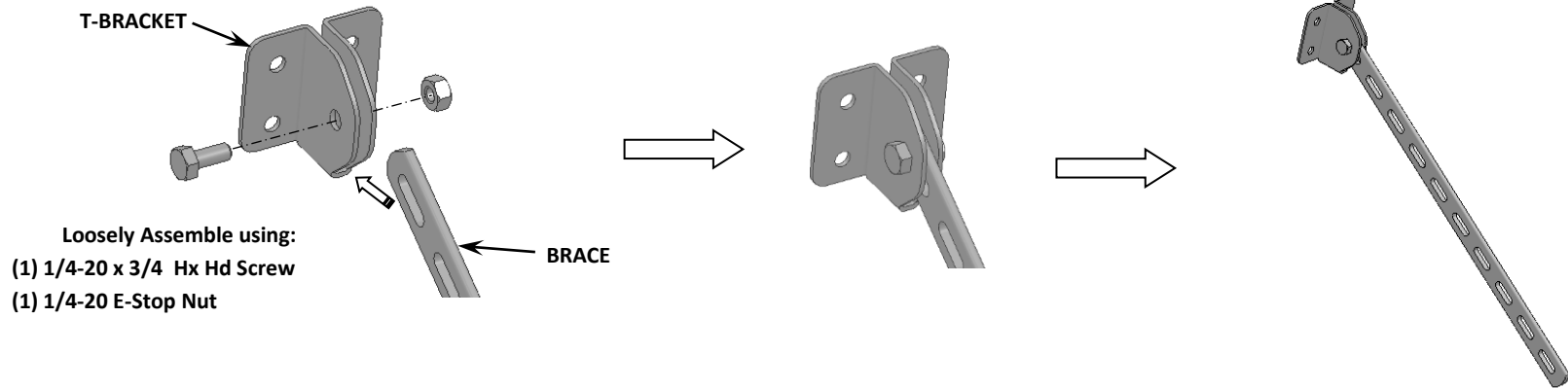


Secure as shown, using:  
(1) 1/4-20 x 3/4 Hex Head Screws  
(1) 1/4-20 E-Stop Nuts



Installation Example  
Mounting Bracket Locations

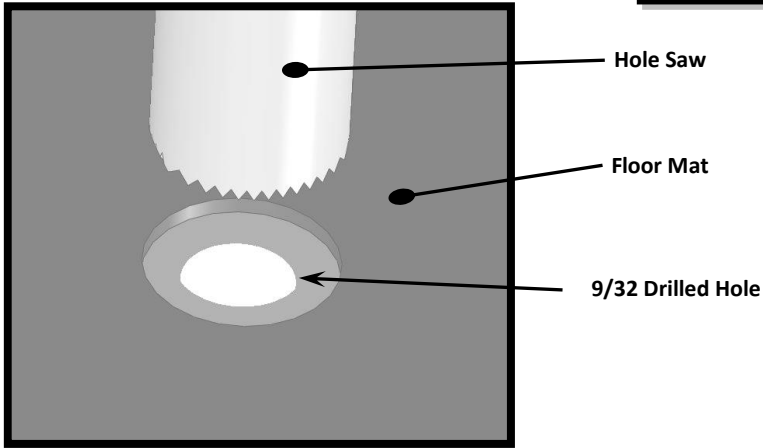
## INSTALLATION EXAMPLE SECURING T-BRACKET



SECURE T-BRACKET TO INNER WALL USING;  
(4) 1/4-20 x 1 1/4 GRD 8 HWH BOLT and (4) 1/4 LOCK WASHER

**TORQUE SETTING:**  
Size - 1/4 = 7 - 9.5 Ft.-Lbs.

**STANDARD INSTALLATION**

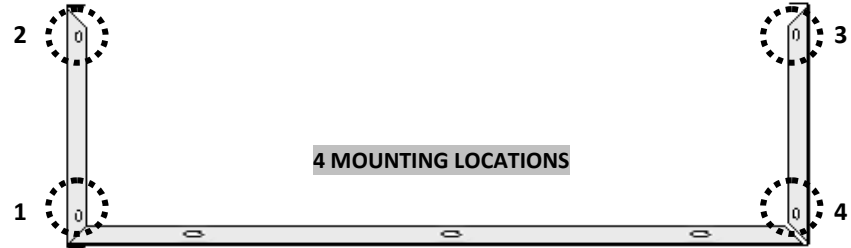


**NOTE:**

Using a 1-1/8" Hole Saw specially made for mat cutting, hole saw out all holes in the mat making sure to align hole saw with pre drilled holes. **Make sure not to drill through the metal floor of the van.** Once drilled clear out each area of excess debris

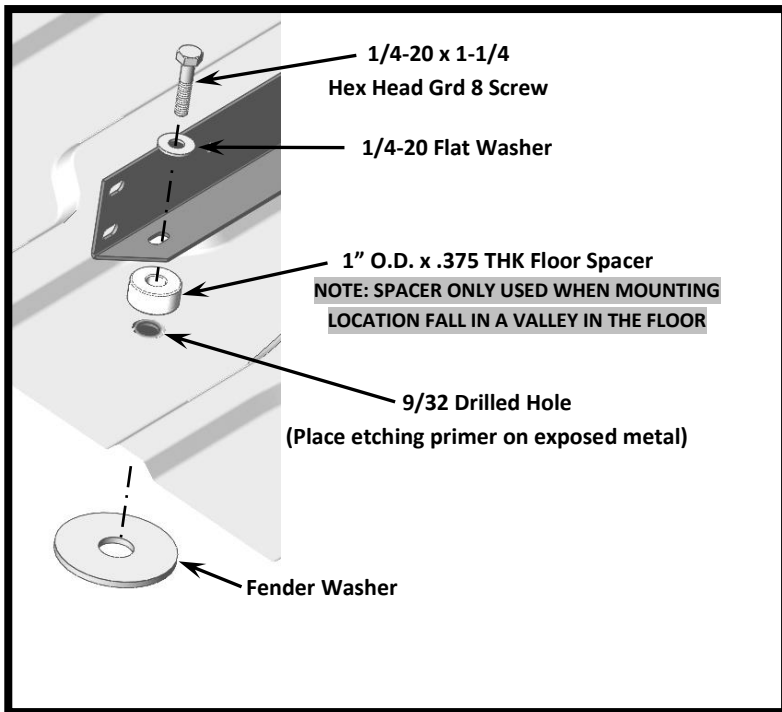
**BEFORE DRILLING**

**STOP** CHECK ALL MOUNTING LOCATIONS TO PREVENT PENETRATING GAS LINES, GAS TANKS, BRAKE LINES, WIRING OR ANY OTHER STRUCTURE OF VEHICLE **STOP**

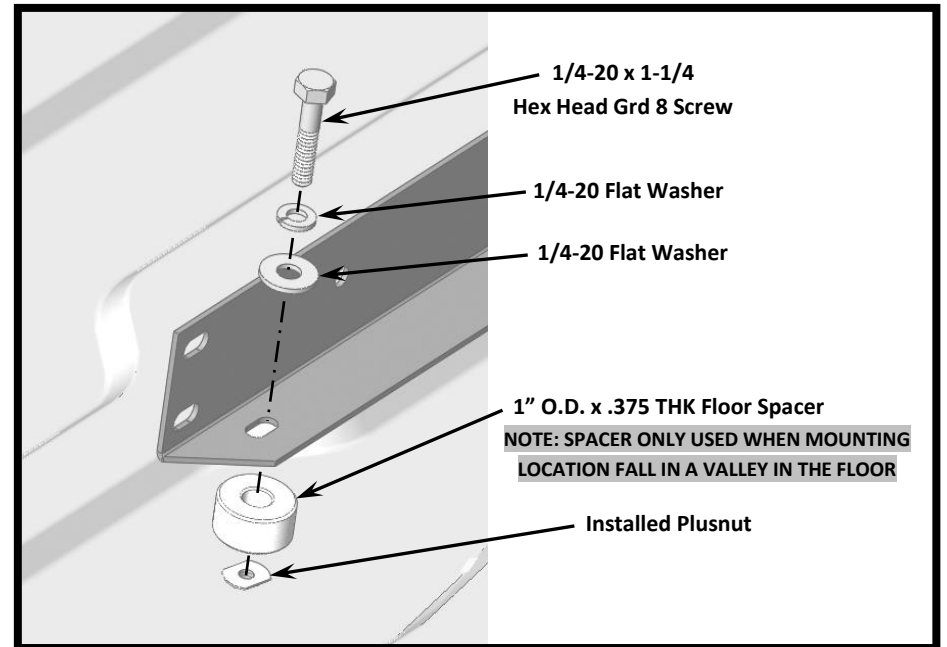


With module properly positioned attach module to floor of vehicle  
Using either method described below.

**NOTE: SPACER ONLY USED WHEN MOUNTING LOCATION FALL IN A VALLEY IN THE FLOOR**

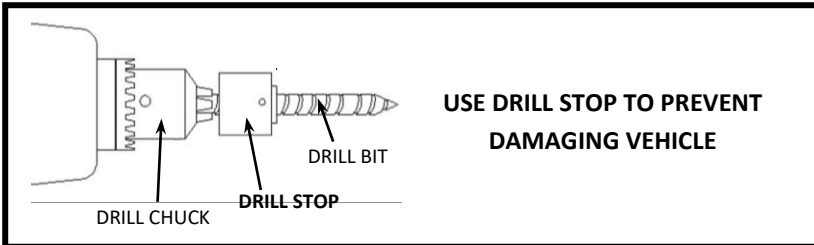


**MOUNTING THROUGH FLOOR**  
(WHERE SPACE PERMITS UNDER VEHICLE)



**MOUNTING WITH PLUSNUT**  
(LIMITED SPACE UNDER VEHICLE)  
(SEE PAGE 14 FOR PLUSNUT INSTALLATION)

**STOP** **BEFORE DRILLING** **STOP**  
**CHECK ALL MOUNTING LOCATIONS TO PREVENT PENETRATING**  
**GAS LINES, GAS TANKS, BRAKE LINES, WIRING OR ANY OTHER STRUCTURE OF VEHICLE**



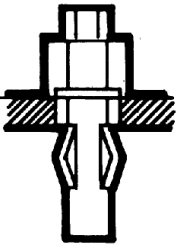
The Plusnut® is pre-bulbed for easy installation

1



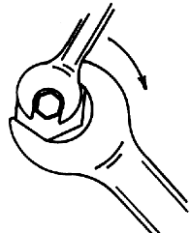
The Plusnut® is pre-assembled with hex cap and hex bolt. Then it is inserted into a pre-drilled hole

2



As the bolt is tightened, the Plusnut® upsets and provides outstanding blind fastening holding power

3



C-500 tool tightens bolt thru hex head cap into Plusnut® A ratchet, open-end or closed –end wrench can be used.

4



Fully upset Plusnut® provides a reliable nut plate for fastening.

5

**CHECK EACH BOLT LOCATION**  
to ensure they are tightened to the specified torque setting.

**TORQUE SETTING:**  
Size – 1/4 GRD 5 = 7- 9.6 Ft.-Lbs.  
Size – 1/4 GRD 8 = 10- 13.5 Ft.-Lbs.