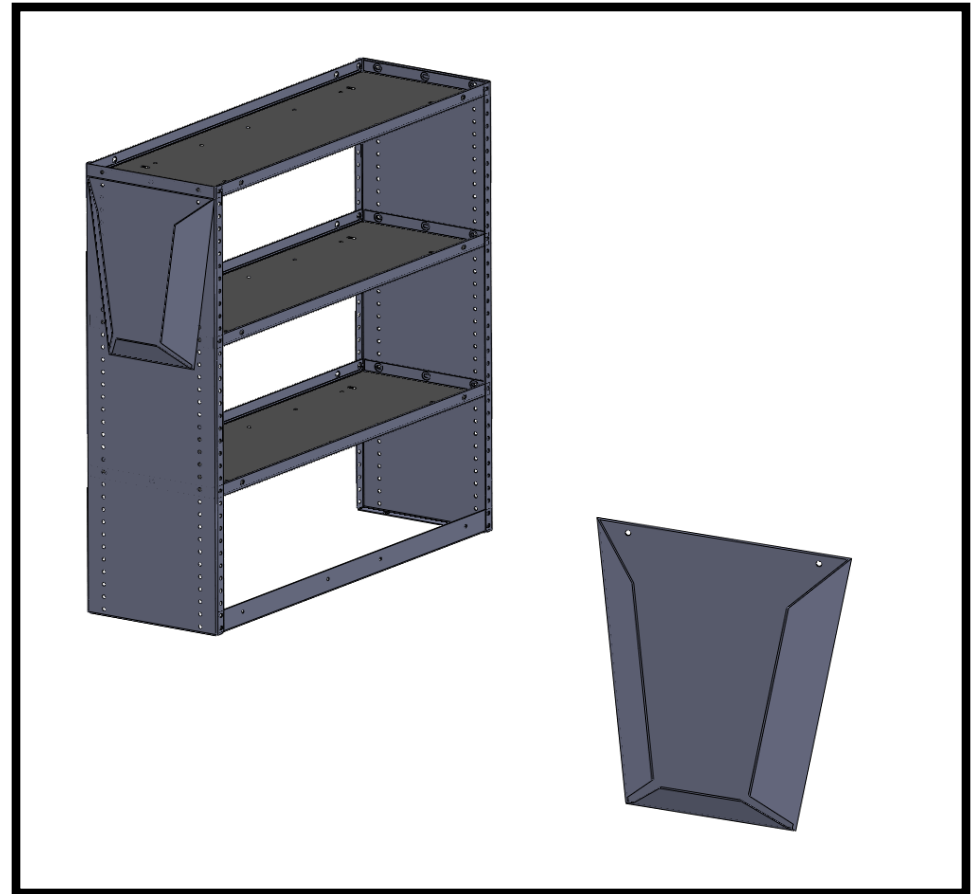
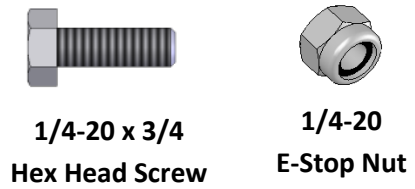


Recommended Tools



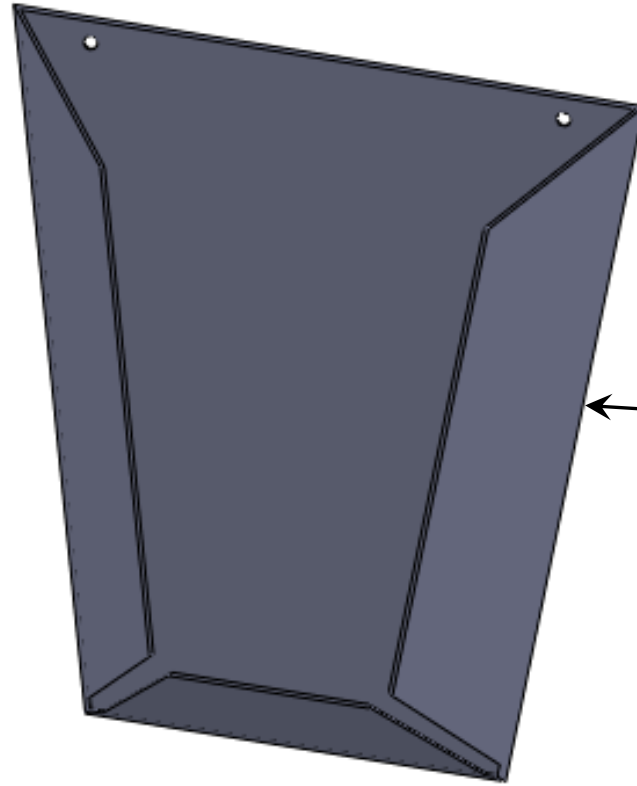
Hardware



STEEL HARD HAT HOLDER

027504KP

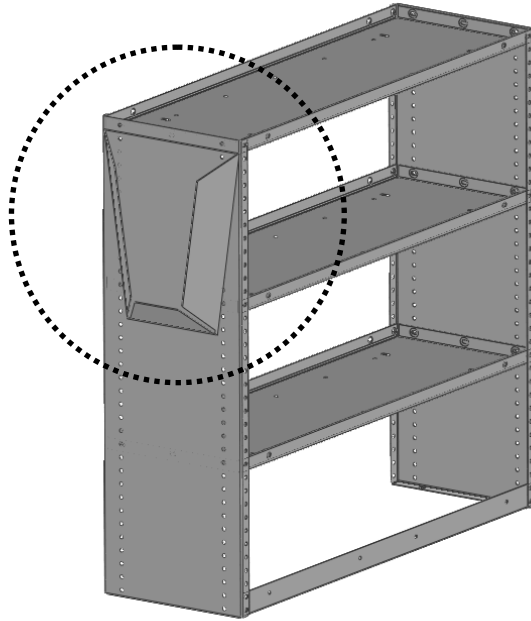
COMPONENTS



← **STEEL HARD HAT HOLDER**
P/N – 027504KP

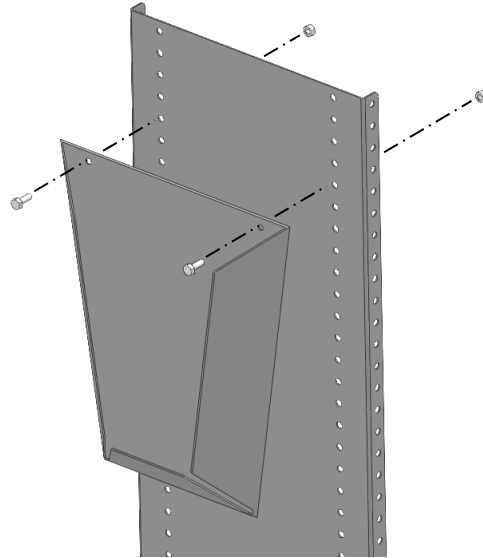
ATTACHING HOLDER

CAN MOUNT TO ANY UPRIGHT / PARTITION
36" H x 37" W x 12" D SOLID UPRIGHT IS FOR REFERENCE ONLY



1

POSITION IN PREFERRED LOCATION



2

SECURE HOLDER USING:
(4) 1/4-20 x 3/4 HEX HEAD SCREWS
(4) 1/4-20 E-STOP NUTS

TORQUE SETTING:

Size - 1/4 = 7 - 9.5 Ft.-Lbs.

