

Recommended Tools

Air or Hand Ratchet



7/16" Socket



7/16" Combo Wrench



Torque Wrench



Hardware



1/4-20 x 3/4

Hex Head Screw



1/4-20

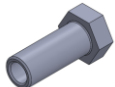
E-Stop Nut

} *P/N: 025527KP*



1/4-20 x 2

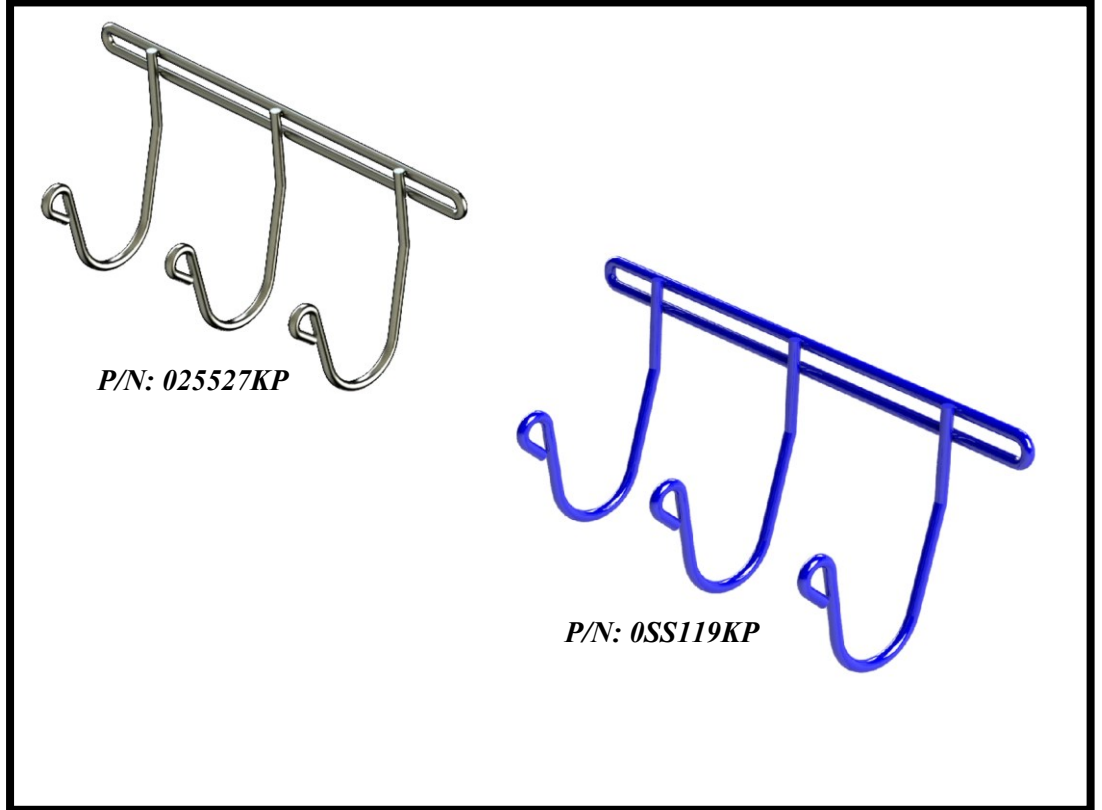
Hex Head Screw



OSS011P

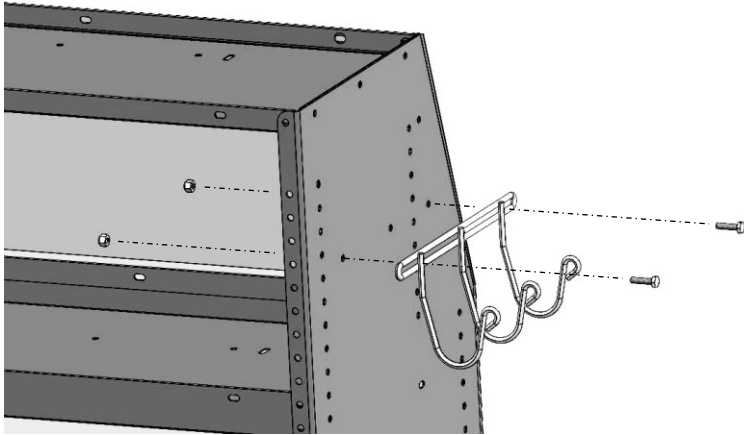
CHANNEL NUT

} *P/N: 0SS119KP*



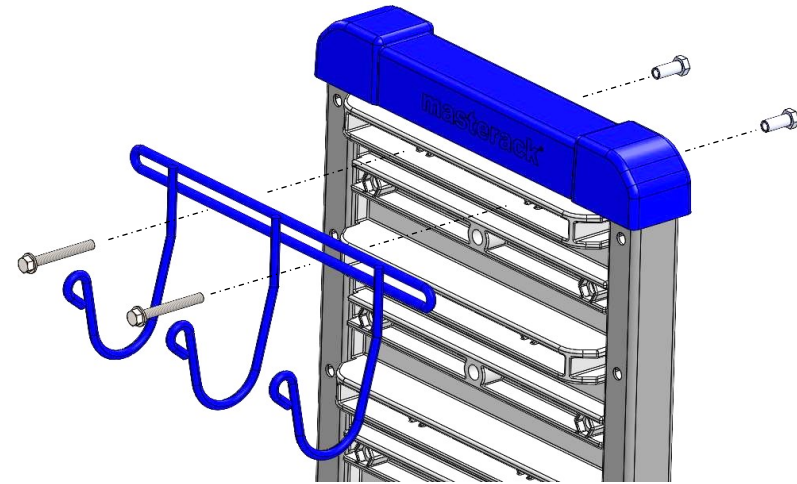
TRIPLE UTILITY HOOK

ATTACHING TRIPLE HOOK TO SHELVING MODULES



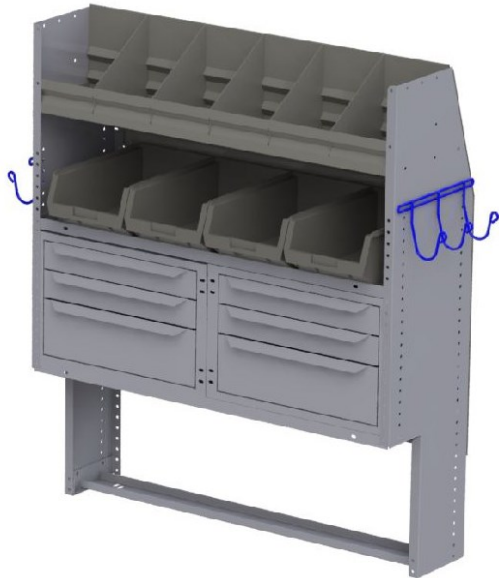
ATTACHING TO STANDARD MODULES

Position Triple Hook at the desired location,
and secure to Upright using:
(2) 1/4-20 x 3/4 Hex Head Screws
(2) 1/4-20 E-Stop Nuts



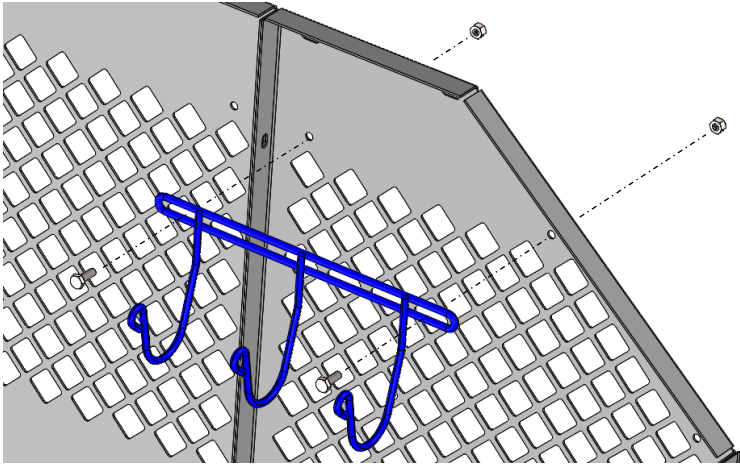
ATTACHING TO SMARTSPACE MODULES

Position Triple Hook at the desired location,
and secure to Upright using:
(2) 1/4-20 x 2 Hex Head Screws
(2) Channel Nut



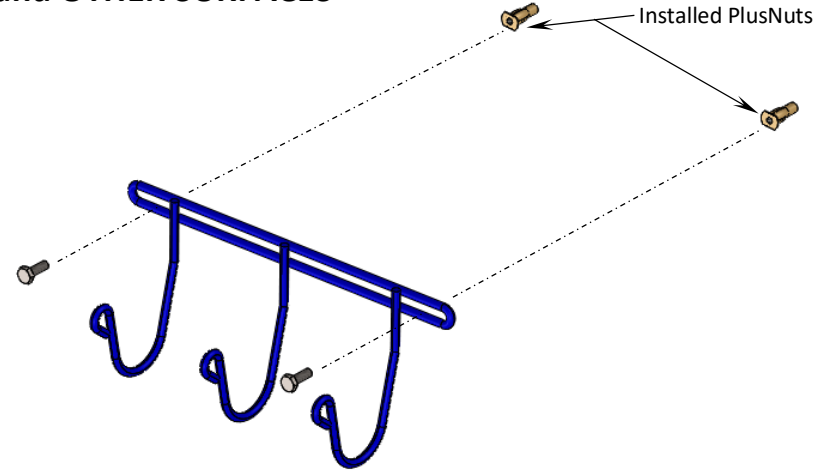
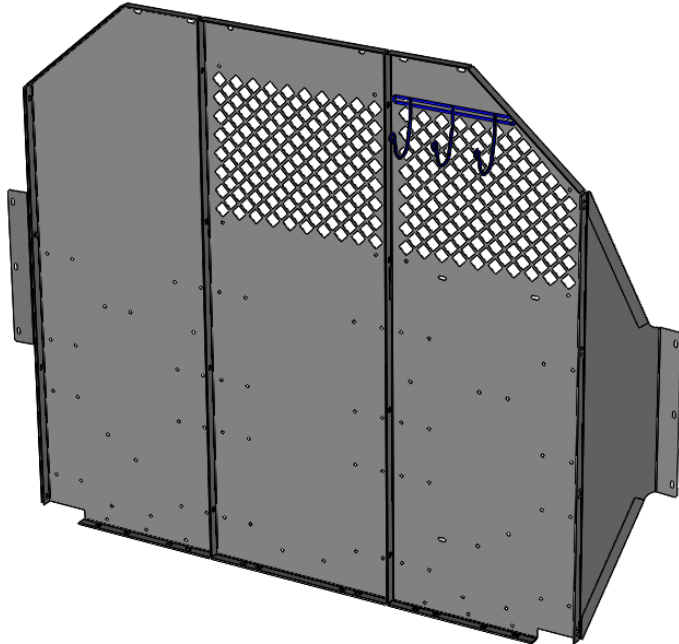
TORQUE SETTING:
Size - 1/4 = 7 - 9.5 Ft.-Lbs.

ATTACHING TRIPLE HOOK TO PARTITIONS and OTHER SURFACES



ATTACHING TO PARTITIONS

Position Triple Hook at the desired location,
and secure to Upright using:
(2) 1/4-20 x 3/4 Hex Head Screws
(2) 1/4-20 E-Stop Nuts



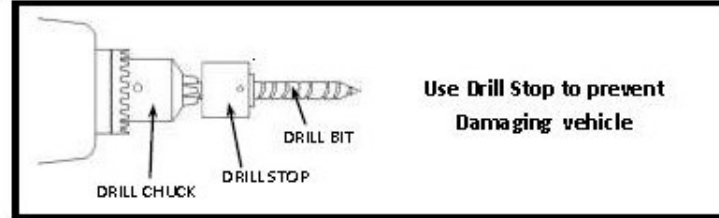
ATTACHING TO OTHER SURFACES

Position Triple Hook at the desired location,
and secure to Upright using:
(2) 1/4-20 x 3/4 Hex Head Screws
(2) 1/4-20 PlusNuts (**See Page 4 of 5**)



PLUSNUT INFO

STOP **BEFORE DRILLING** **STOP**
CHECK ALL MOUNTING LOCATIONS TO PREVENT PENETRATING
GAS LINES, GAS TANKS, BRAKE LINES, WIRING OR ANY OTHER STRUCTURE OF VEHICLE



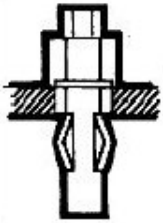
The Plusnut® is pre-bulbed for easy installation

1



The Plusnut® is pre-assembled with hex cap and hex bolt.
Then it is inserted into a pre-drilled hole

2



As the bolt is tightened, the Plusnut® upsets
and provides outstanding
blind fastening holding power

3



C-500 tool tightens bolt thru hex head cap into Plusnut® A
ratchet, open-end or closed –end wrench can be used.

4



Fully upset Plusnut® provides
a reliable nut plate for fastening.

5