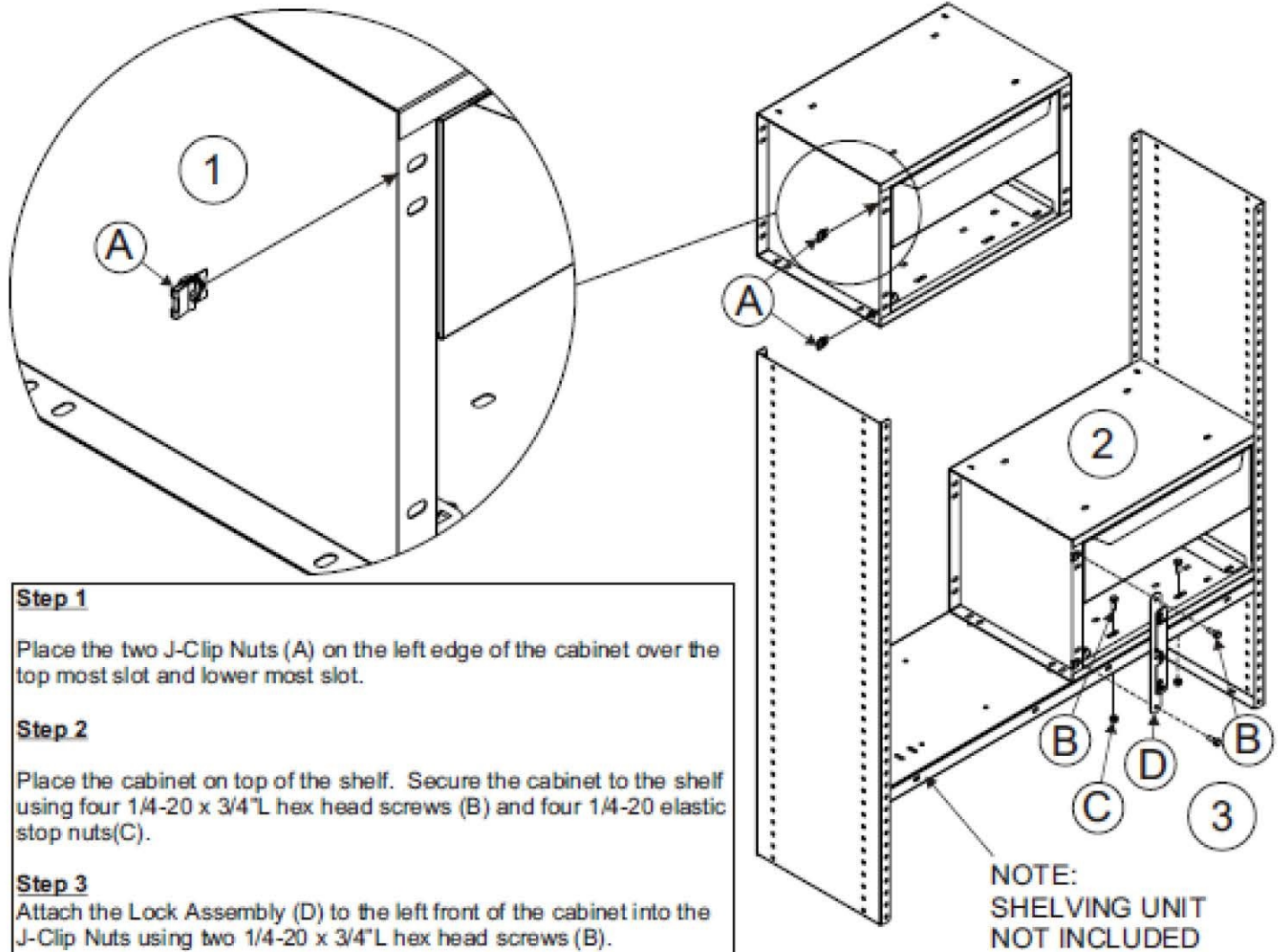


Installation Instructions

2, 3 and 4 Drawer Cabinets with Lock Assembly



IDENTIFICATION LIST

ITEM	QTY	DESCRIPTION
A	2	J-CLIP NUTS 1/4-20
B	6	Screw 1/4-20 x 3/4L
C	4	Nut 1/4-20 Elastic Stop
D	1	Lock Assembly

