



Recommended Tools

- Air or Hand Ratchet 
- Combo Wrench [7/16"] 
- Torque Wrench 
- Sockets [7/16"] 



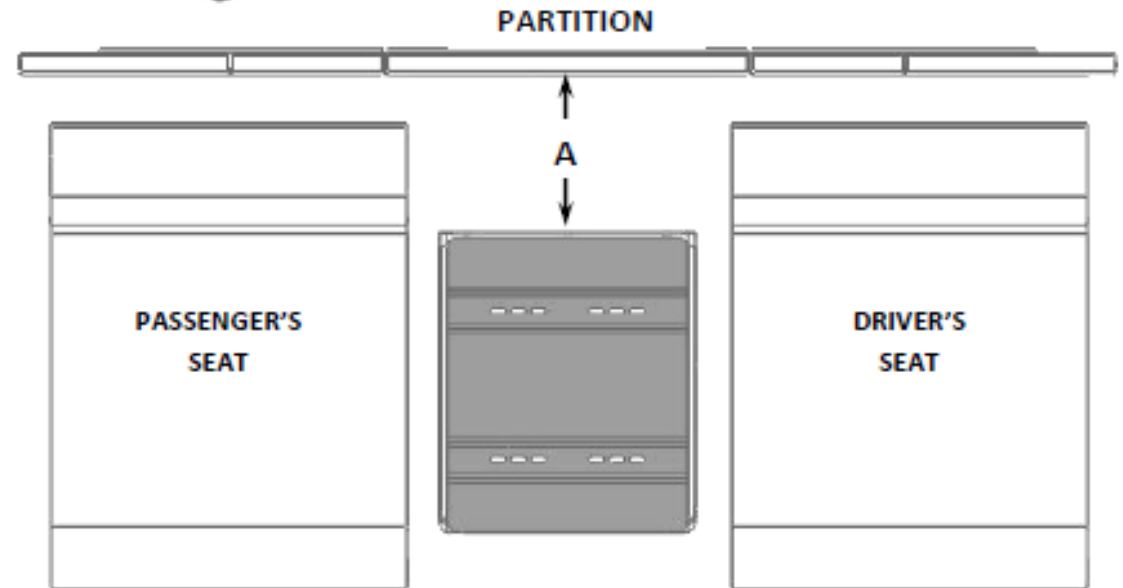
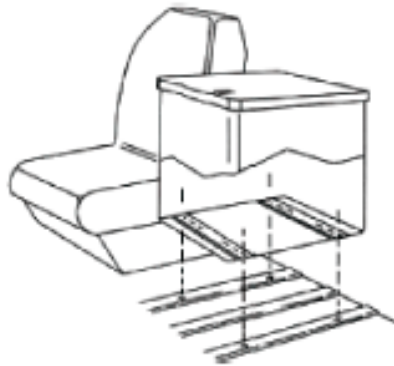
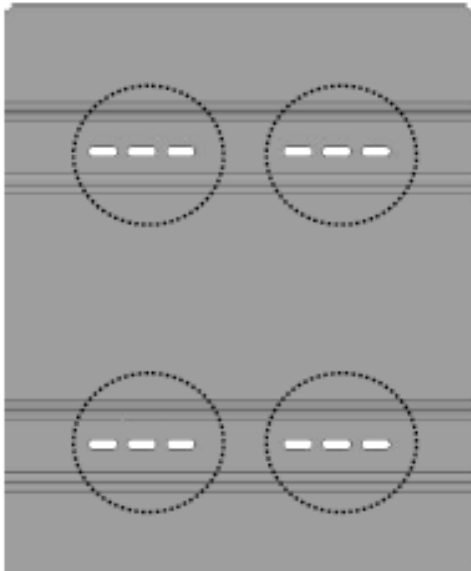
Hardware

-  1/4-20 x 1 3/4 Hex Head Screw Grd 8
-  1" OD x .375THK x .375ID Floor Spacer
-  #SRT25PB280 PRE-BULB PLUS NUT
-  #C500-25 PLUS NUT TOOL
-  1/4-20 Flat Washer
-  1/4 GALV SPLIT LOCK WASHER
-  1/4-20 E-Stop Nut w/Attached Fender Washer



MOUNTING LOCATION

Center the Cab Organizer between the front seats and at proper distance from Partition (Refer to Chart), and mark (4) Mounting Hole Locations

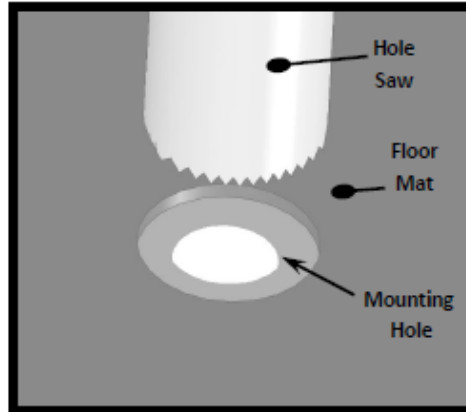



PARTITION	A = DISTANCE FROM PARTITION
STEEL PARTITION w/ STANDARD SETBACK PANELS	2.5"
STEEL PARTITION w/ 3" SETBACK PANELS	3"
STEEL PARTITION w/ 6" SETBACK PANELS	4"
QUIET FLEX PARTITION	2"

INSTALLATION METHODS

NOTE:


Using a 1-1/8" Hole Saw specially made for mat cutting, hole saw out all holes in the mat making sure to align hole saw with pre drilled holes.
Make sure not to drill through the metal floor of the van. Once drilled clear out each area of excess debris



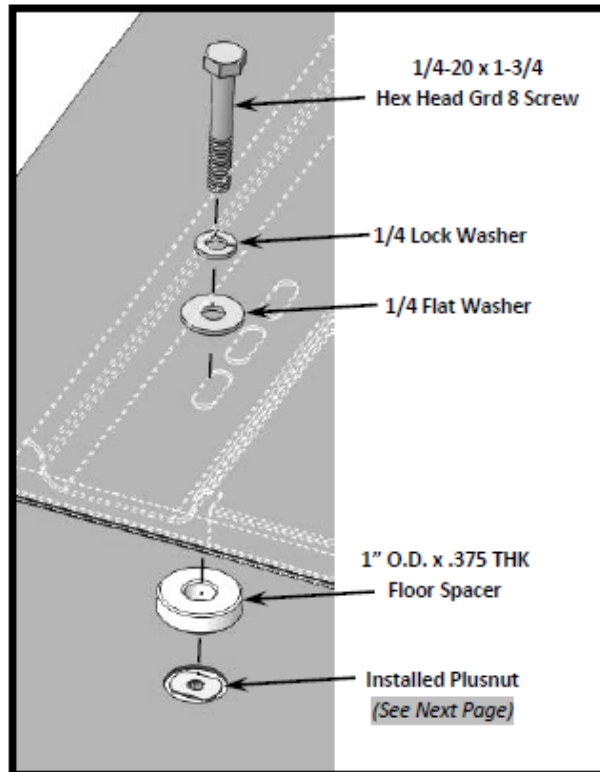


BEFORE DRILLING

CHECK ALL MOUNTING LOCATIONS TO PREVENT PENETRATING GAS LINES, GAS TANKS, BRAKE LINES, WIRING OR ANY OTHER STRUCTURE OF VEHICLE

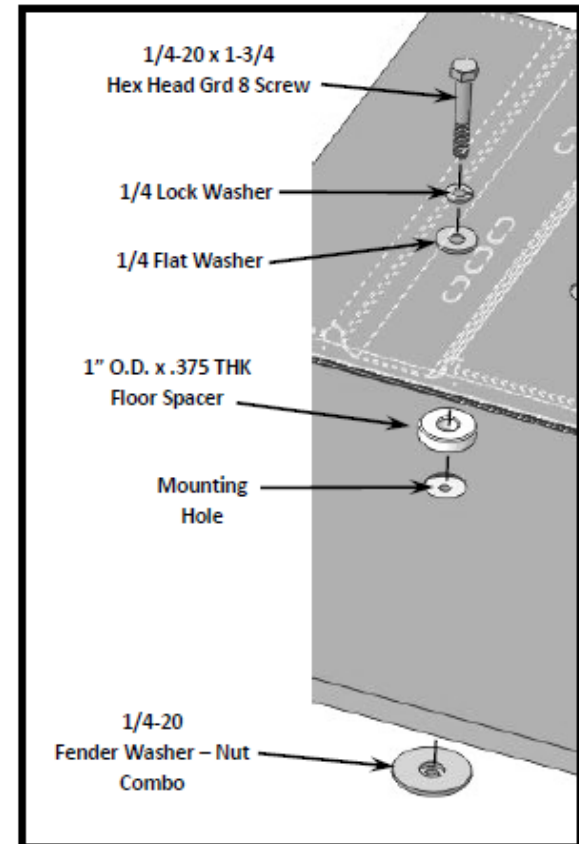


PLUSNUT



TORQUE SETTING:
Size - 1/4 = 7 - 9.6 Ft.-Lbs.

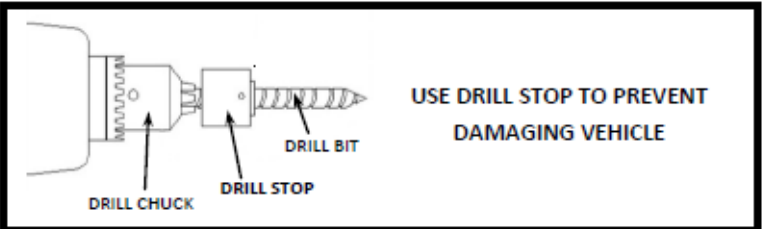
THROUGH FLOOR



BEFORE DRILLING

STOP **STOP**

**CHECK ALL MOUNTING LOCATIONS TO PREVENT PENETRATING
GAS LINES, GAS TANKS, BRAKE LINES, WIRING OR ANY OTHER STRUCTURE OF VEHICLE**



The Plusnut® is pre-bulbed for easy installation

1

The Plusnut® is pre-assembled with hex cap and hex bolt.
Then it is inserted into a pre-drilled hole

2

As the bolt is tightened, the Plusnut® upsets
and provides outstanding
blind fastening holding power

3

C-500 tool tightens bolt thru hex head cap into Plusnut®. A
ratchet, open-end or closed –end wrench can be used.

4

Fully upset Plusnut® provides
a reliable nut plate for fastening.

5

CAB ORGANIZER FEATURES

Your Cab Organizer will enable you to:

- A** – Lock valuables in a theft resistant box.
- B** – Lift the Double-Action lid for easy access.
- C** – Slide the Double-Action forward for a convenient writing surface. A safety latch/release button is provided.
- D** – Organize papers by using standard “Pendaflex” style hanging folders on the bottom tracks.
- E** – Have safe and easy access to equipment or small items using the upper sliding tray.
- F** – Safeguard against premature lid falling with a counter-balance spring.

