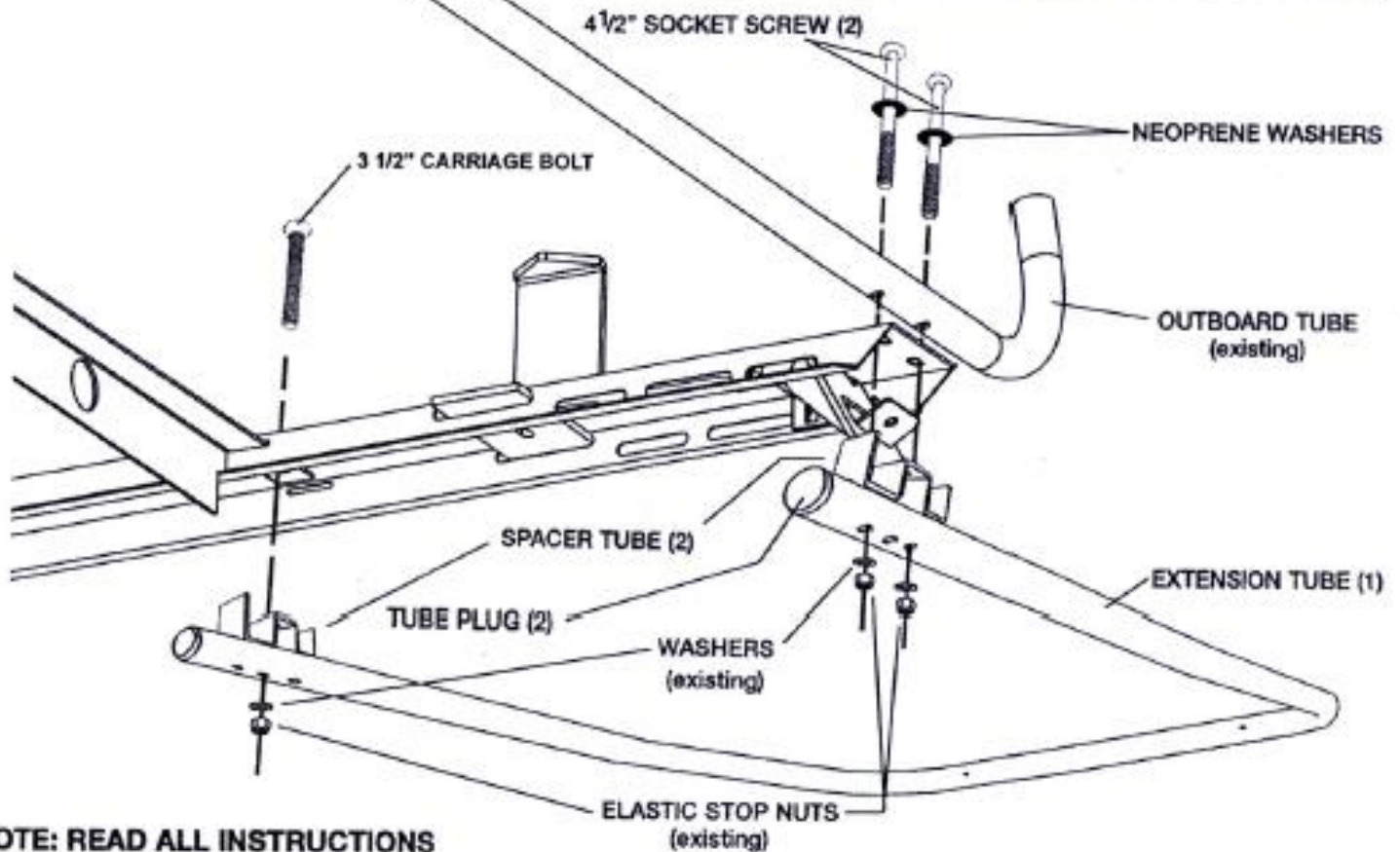


## Installation Instructions

### Ladder Rack Extension



**NOTE: READ ALL INSTRUCTIONS BEFORE ASSEMBLING.**

**STEP 1:** If the Ladder Rack is assembled, remove the socket head screws at the front of the outboard tube and the carriage bolt at the front of the inner rail on the side the extension is to be mounted. Retain the elastic stop nuts, flat washers and neoprene washers for reinstallation.

**NOTE:** If the Ladder Rack is being assembled, add following two steps to the Ladder Rack instruction sheet Step 3 and Step 4.

**STEP 2:** Using the washers, elastic stop nuts and the 4 1/2" socket screws provided, secure the outboard tube, spacer tube, and the extension tube to the front crossbow as shown. Use neoprene washers at the top and the flat washers and elastic stop nuts at the bottom. Required tightening torque is 18 ft. lbs.

**NOTE:** The curved end of the extension tube should point upward.

**STEP 3:** Secure the opposite leg of the extension tube at the inner rail locations on the underside of the crossbow using a 3 1/2" carriage bolt provided and existing washer and nut. Required tightening torque is 18 ft. lbs.

**STEP 4:** Insert one tube plug into each end of the extension tube.

**STEP 5:** Optional cushions can be slipped onto the bearing surface of the extension.