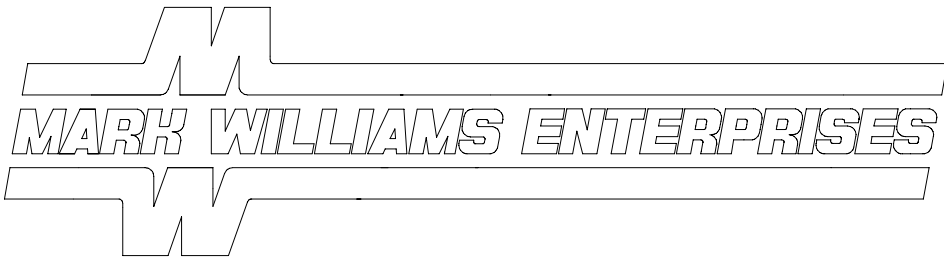


# INSTALLATION - SERVICE INSTRUCTIONS



PART NUMBER :	DESCRIPTION :
51527	STAINLESS STEEL INTEGRAL WASHER NUT, 5/8"-18 THREADS
41527	TITANIUM INTEGRAL WASHER NUT, 5/8"-18 THREADS

**PARTS INCLUDED :**

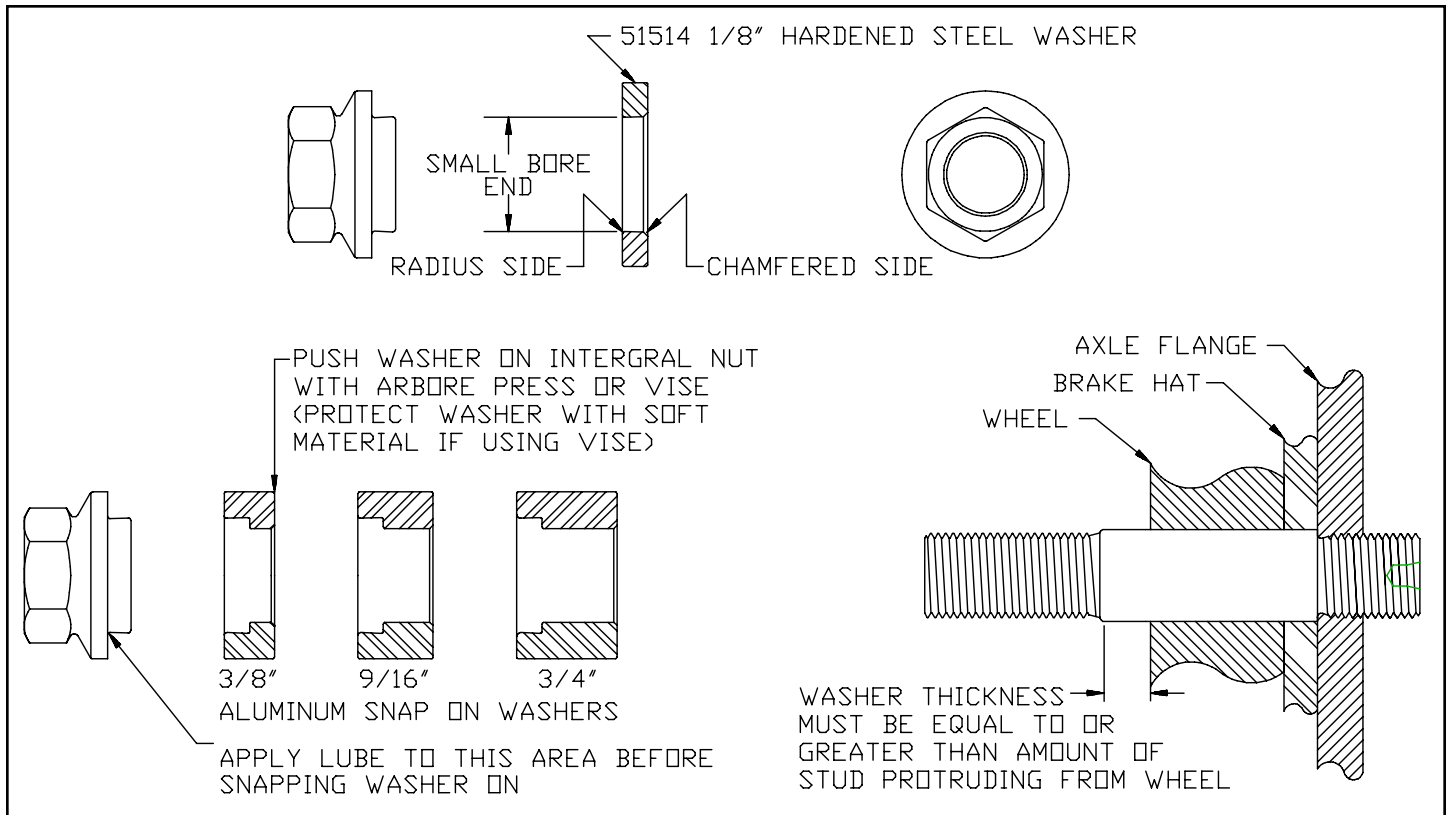
1-NUT

**PRIMARY APPLICATION :**

ANY APPLICATION WITH 5/8-18 THREADED DRIVE STUDS.

**OPERATION PRECAUTIONS :**

- 1) USE ONLY 6 POINT SOCKETS, 12 POINT SOCKETS WITH TIME WILL DEFORM HEX OF NUT.
- 2) DO NOT USE IMPACT WRENCH.
- 3) OCCASIONAL LUBE WITH MOLY BASED GREASE BETWEEN FLANGE AND WASHER.
- 4) NORMAL TORQUE 90-110 FT. LBS., BE AWARE THAT A HIGH FASTENING TORQUE CAN DEFORM THE WHEEL BEFORE YOU REACH THE DESIRED FT. LBS.



Discover other lug nuts and wheel locks on our website.