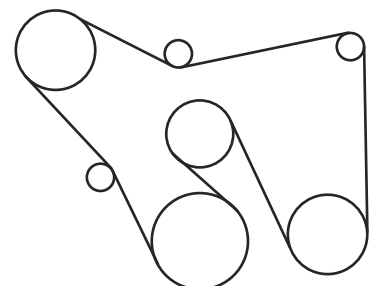
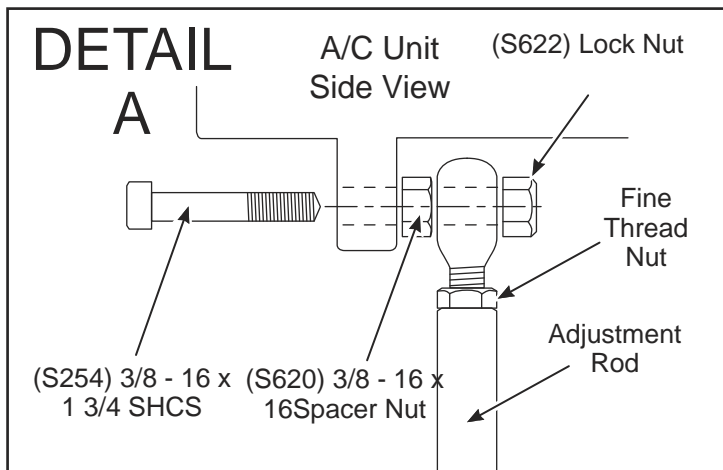




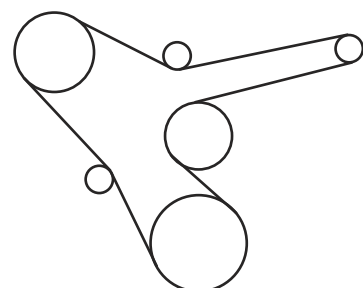
Chevy Small Block 20405-20408 and 20415-20418

Serpentine Conversion Kits



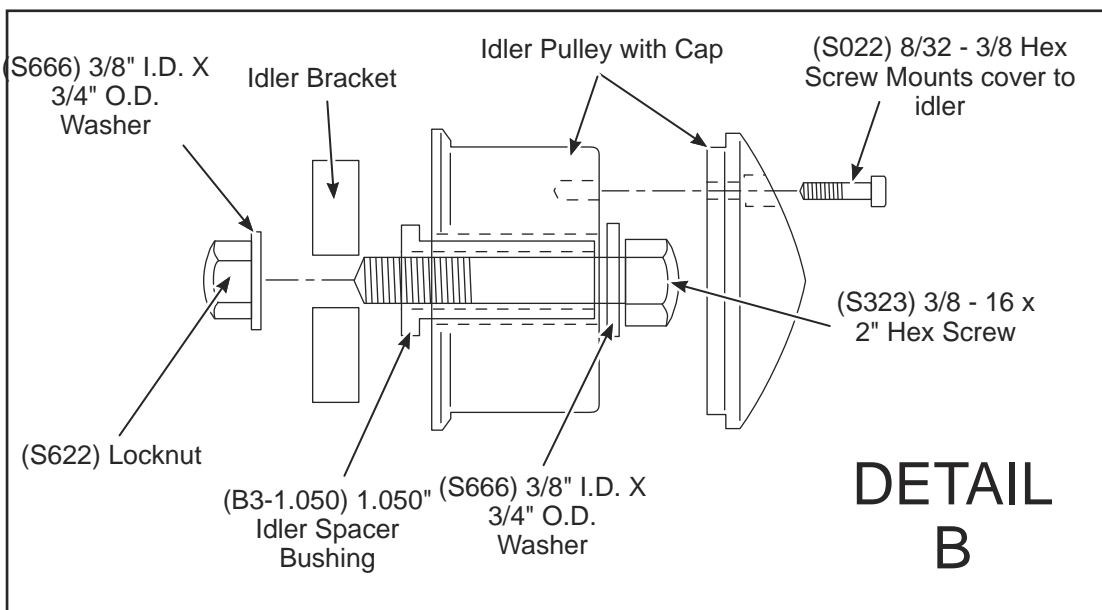
Belt Size with Power Steering

20406/20407 Saginaw use: Dayco 5061075
 20408 Remote Reservoir use: Dayco 5061025
 20416/20417 Saginaw use: Dayco 5061065
 20418 Remote Reservoir use: Dayco 5061000

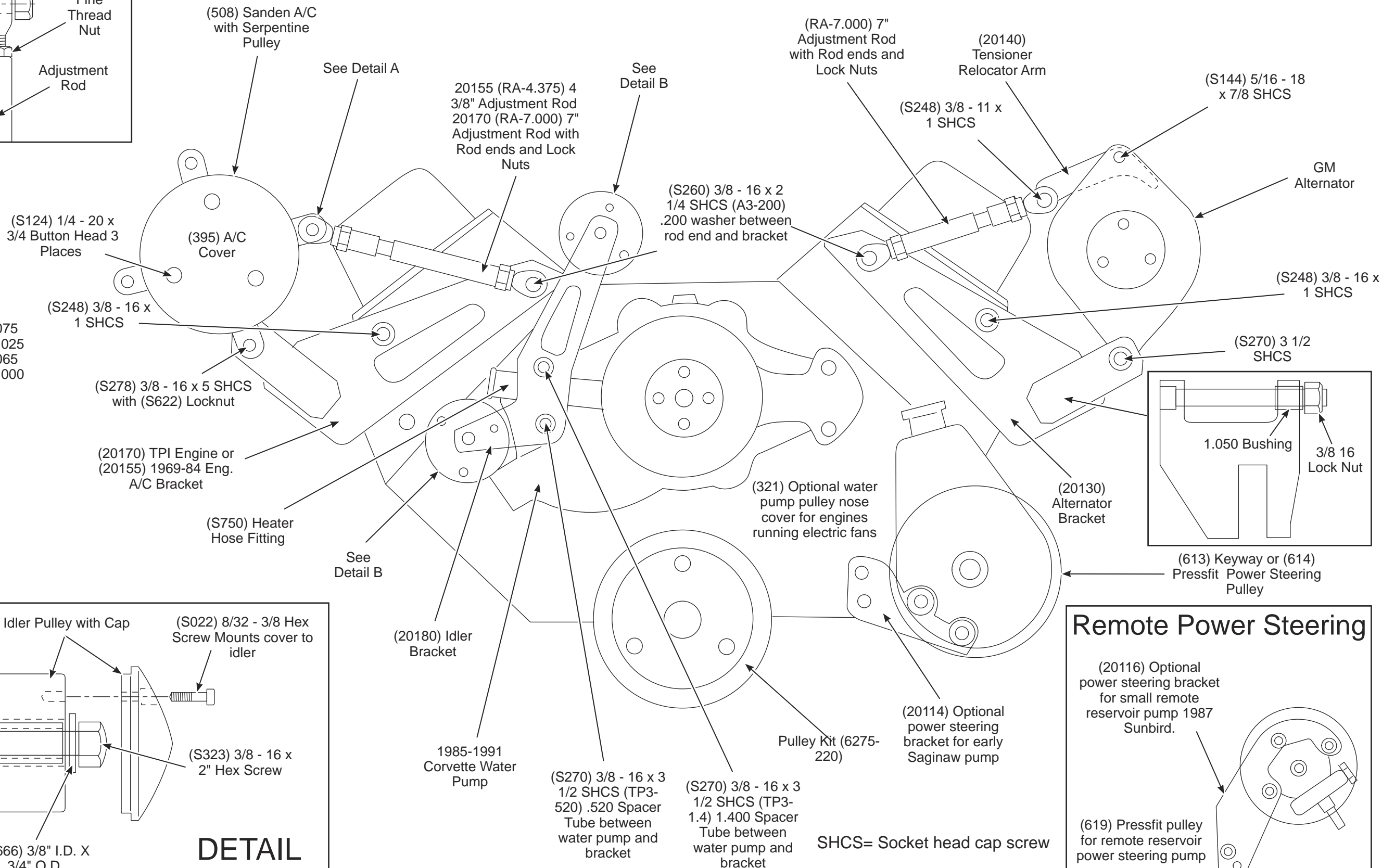


Belt Size with out Power Steering

20405 use: Dayco 5060955
 20415 use: Dayco 5060940



DETAIL B



SHCS= Socket head cap screw

Remote Power Steering

(20116) Optional power steering bracket for small remote reservoir pump 1987 Sunbird.

(619) Pressfit pulley for remote reservoir power steering pump

