

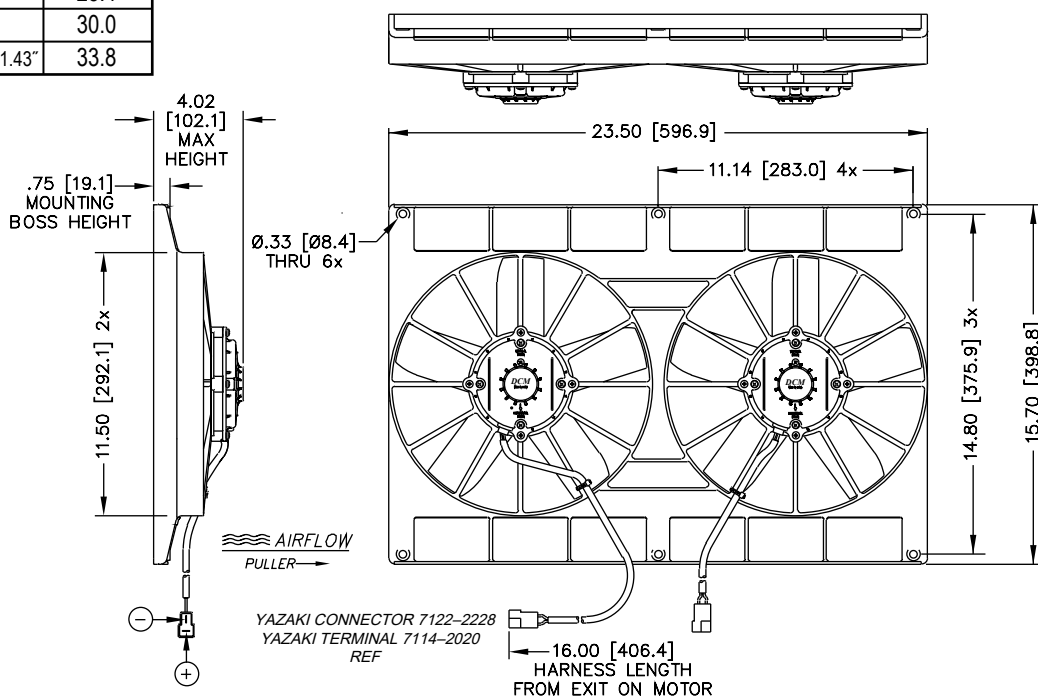
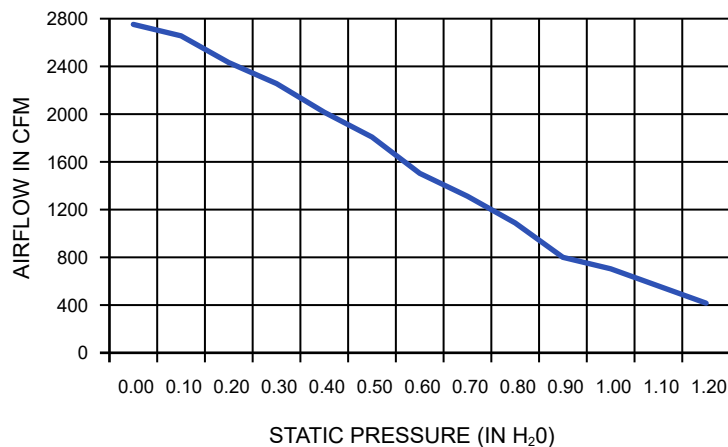
## Model MM22K - Dual 11" Straight Blade Fan



- Dual 225 high performance drip through motors.
- All glass-filled nylon construction.
- Available in three models:
  - Without mounting flanges, Part No. MM22K
  - With side mounting flanges, Part No. MM22KS
  - With top and bottom mounting flanges, Part No. MM22KT
- Includes dual harnesses (MFA100 & MFA111)
- Recommended wire harnesses (sold separately):
  - Part No. MFA100 (adjustable thermostat)
  - Part No. MFA111 (dual fan adapter)
  - Part No. MFA102 (185° temperature switch)
  - Part No. MFA103 (185° temperature switch)

### TYPICAL PERFORMANCE DATA

Static In H <sub>2</sub> O	Total Flow CFM	13.5 VDC AMPS
0.00	2760	22.4
0.10	2660	23.2
0.20	2434	24.6
0.30	2250	26.4
0.40	2022	26.4
0.50	1784	26.6
0.60	1502	26.6
0.70	1306	27.6
0.80	1090	27.2
0.90	806	27.6
1.00	704	28.4
1.20	422	30.0
1.43	STALL @ 1.43"	33.8



Learn more about performance engine cooling we have.