

Model MJS26K - Jetstreme II Fan



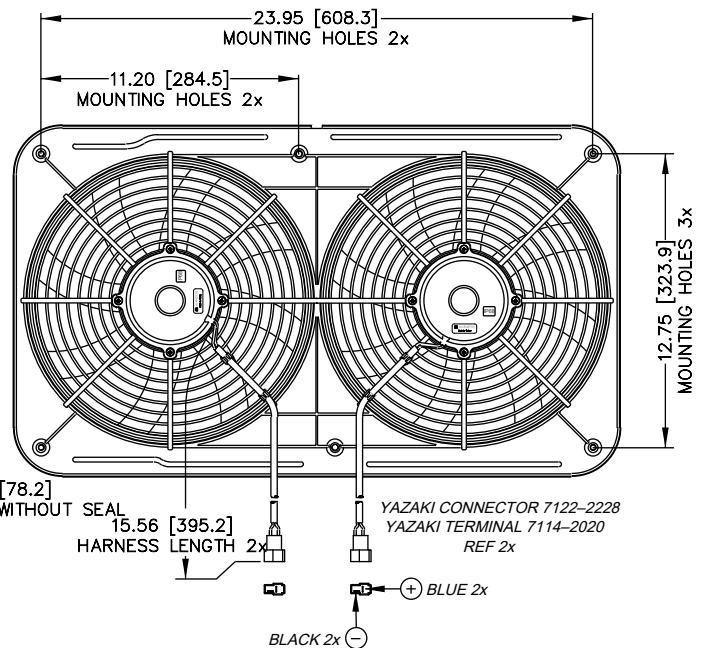
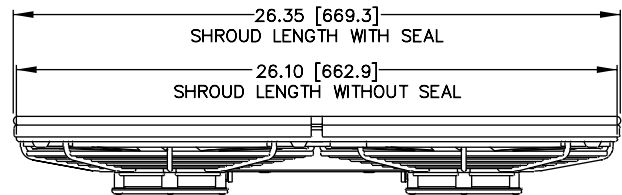
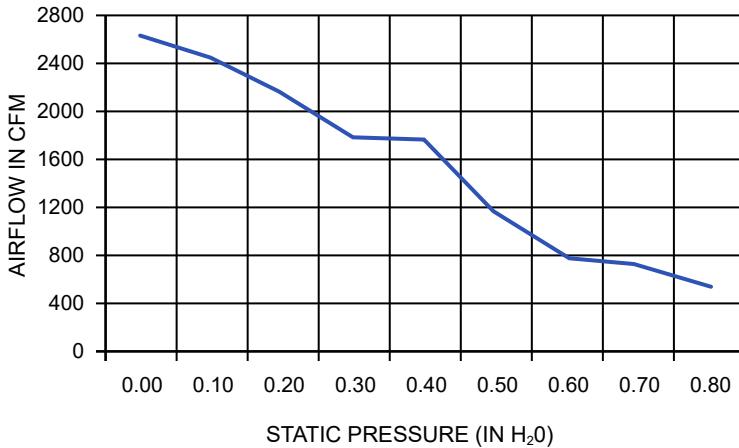
- Low profile allows for turbo
- Dual 160 watt sealed motors tested in accordance with DIN EN 60529, dust and water proof to IP68
- Quiet S-blade design
- All glass-filled nylon construction
- Rubber seal eliminates vibration contact and increases air flow
- Optional wire harnesses* (sold separately)
 - Part No. MFA100 (adjustable thermostat)
 - Part No. MFA111 (dual fan adapter)
 - Part No. MFA102 (185° temperature switch)
 - Part No. MFA103 (195° temperature switch)
- Optional brackets* (sold separately)
 - Part No. MFA107 (Rotates 90° to catch top & bottom or side U-channels) (Slotted mounting holes adjust to many different radiators)



(2) Fan Harness

(2) Pigtail

MFA107



TYPICAL PERFORMANCE DATA		
MJS26K DUAL 12" REVERSIBLE JETSTREME 12V 160W		
Static In H ₂ O	Total Flow CFM	13.5 VDC AMPS
0.00	2600	25.2
0.10	2427	25.6
0.20	2127	27.0
0.30	1759	27.4
0.40	1745	27.6
0.50	1139	24.8
0.60	783	25.2
0.70	719	25.0
0.80	541	25.4
0.90	STALL @ 0.9"	27.4

