

Model MJS13KC - Jetstreme I Fan w/MFA100

- Low profile allows for turbo
- 130 watt sealed motors tested in accordance with DIN EN 60529, dust and water proof to IP68
- Quiet S-blade design
- All glass-filled nylon construction
- Rubber seal eliminates vibration contact and increases air flow
- Optional wire harnesses
Jetstreme I Part No. MFA100 (adjustable thermostat) (included)
Jetstreme I Part No. MFA101* (a/c relay) (sold separately)
- Optional brackets* (sold separately)
Part No. MFA106 (fits 1992 – 2002 Honda Civic only)
Part No. MFA107 (universal mounting bracket)



MFA106



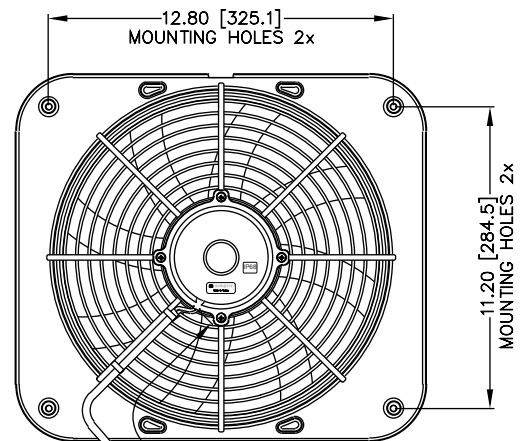
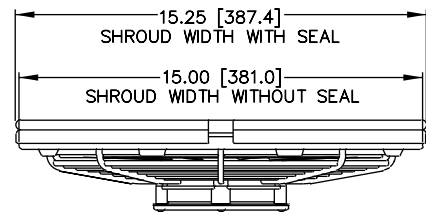
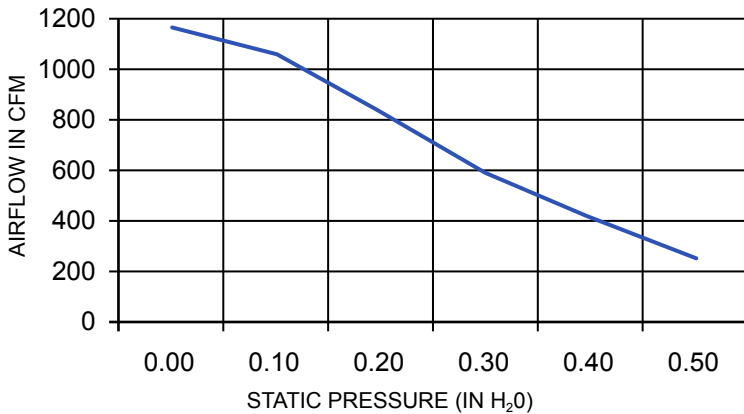
MFA107



Fan Harness



Pigtails



TYPICAL PERFORMANCE DATA		
MJS13K 12" REVERSIBLE JETSTREME 12V 130W		
Static In H ₂ O	Total Flow CFM	13.5 VDC AMPS
0.00	1155	7.2
0.10	1059	7.5
0.20	825	7.8
0.30	593	7.8
0.40	414	7.6
0.50	255	7.5
0.60	STALL @ 0.6"	8.4

