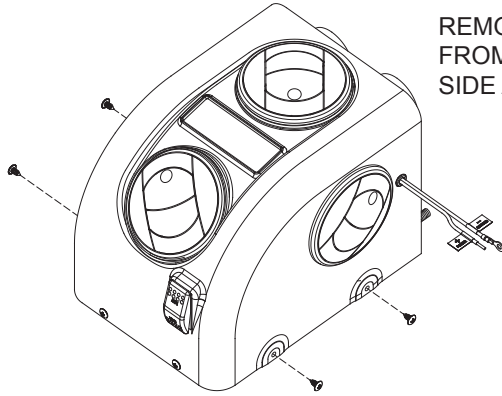
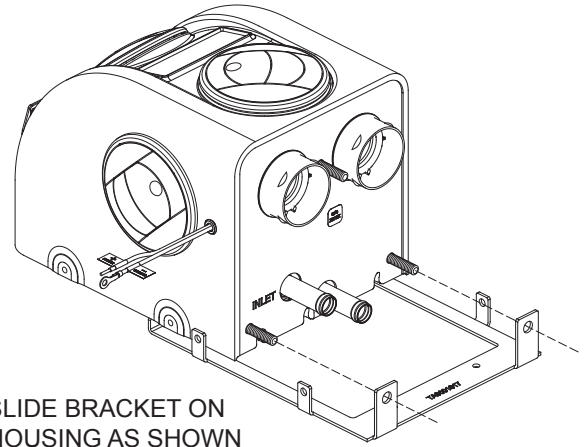


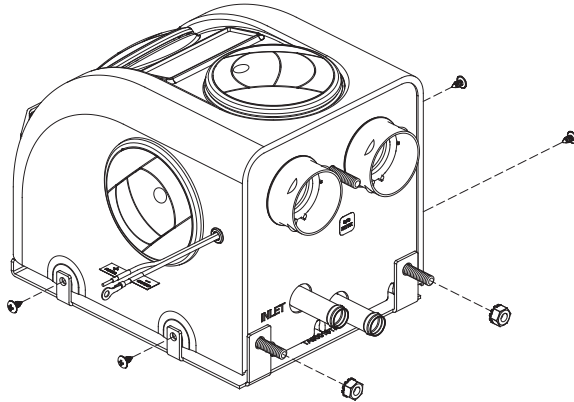
MOUNTING TEMPLATE for MFA132 Mounting Bracket



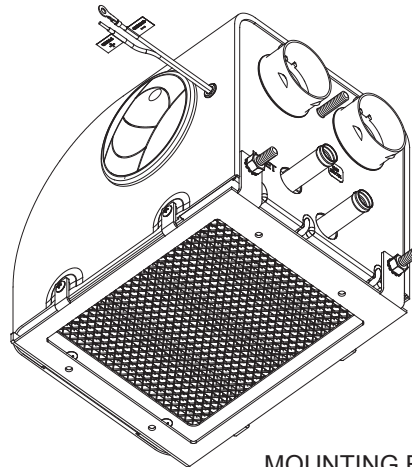
REMOVE TWO SCREWS
FROM HOUSING ON EACH
SIDE AS SHOWN



SLIDE BRACKET ON
HOUSING AS SHOWN



SECURE BRACKET TO
HOUSING WITH FOUR
#8 SCREWS PREVIOUSLY
REMOVED AND TWO
5/16-18 NUTS.



MOUNTING BRACKET
ASSEMBLED TO HEATER

MOUNTING TEMPLATE for MFA132 Mounting Bracket (Not Included)

