

Model M166 - 16"



Feature: Reversible S-blade

Benefit: Allows you to stock only 1 fan part number instead of 2 (pusher/puller). S-blade provides lower noise.

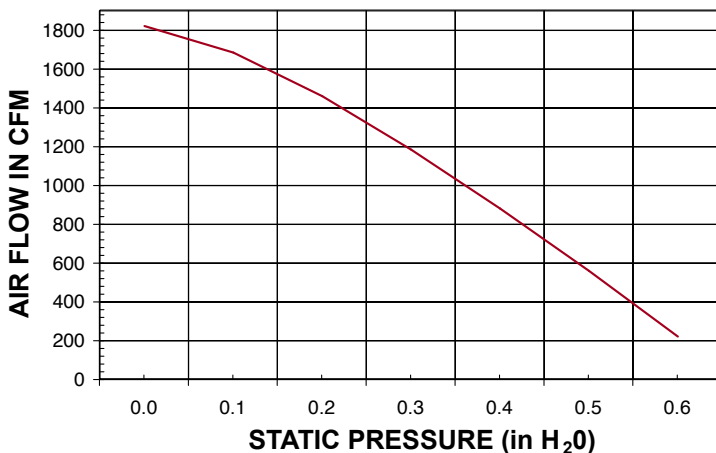
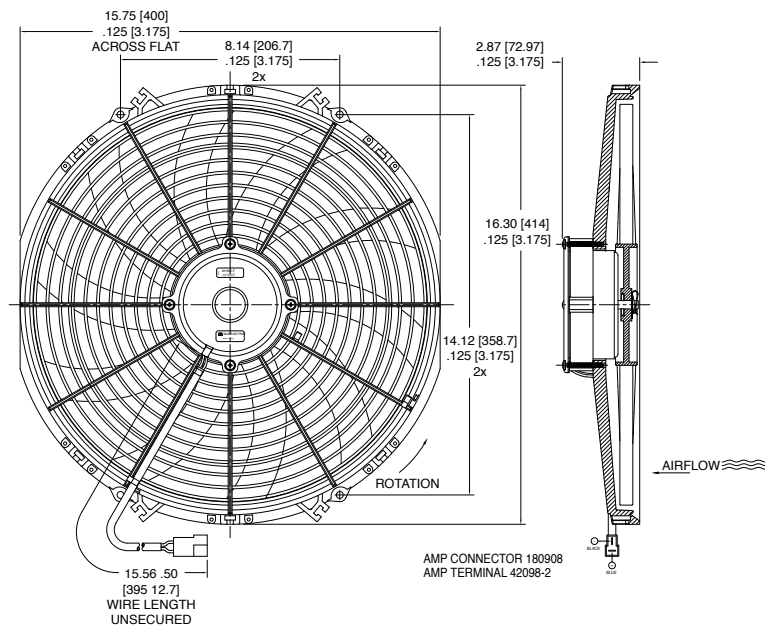
Feature: Sealed Motor

Benefit: Dust and water resistant. Can be sprayed clean.

Feature: All plastic is glass filled nylon. No inferior polypropylene mixes.

Benefit: Highest temperature and highest impact resistant material used in the market

TYPICAL PERFORMANCE DATA		
16in LP REV S PULL 12V 160W (M166K-F)		
in H ₂ O Static	TOTAL FLOW cfm	13.5 vdc Amps
0.00	1810	12.3
0.10	1680	12.8
0.20	1456	13.1
0.30	1181	13.0
0.40	877	12.6
0.50	556	12.0
0.60	217	11.8
0.70	stall @ 0.7"	12.1



Available Shroud Colors and Model Numbers		
	Color	Model #
	Black	M093K