

## Model M142 - 14"



**Feature:** Reversible S-blade

**Benefit:** Allows you to stock only 1 fan part number instead of 2 (pusher/puller). S-blade provides lower noise.

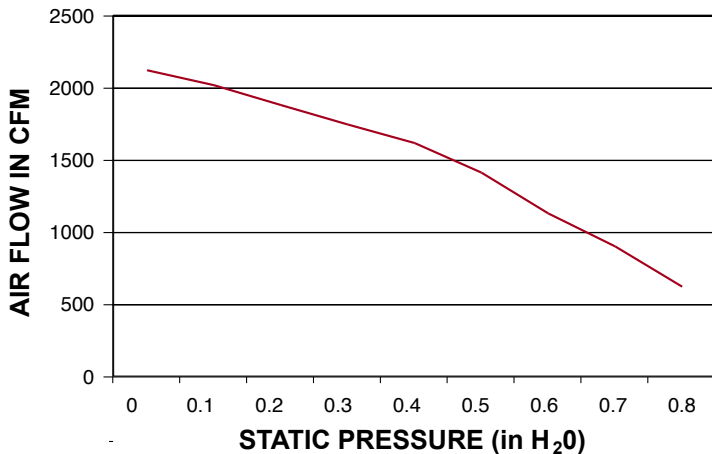
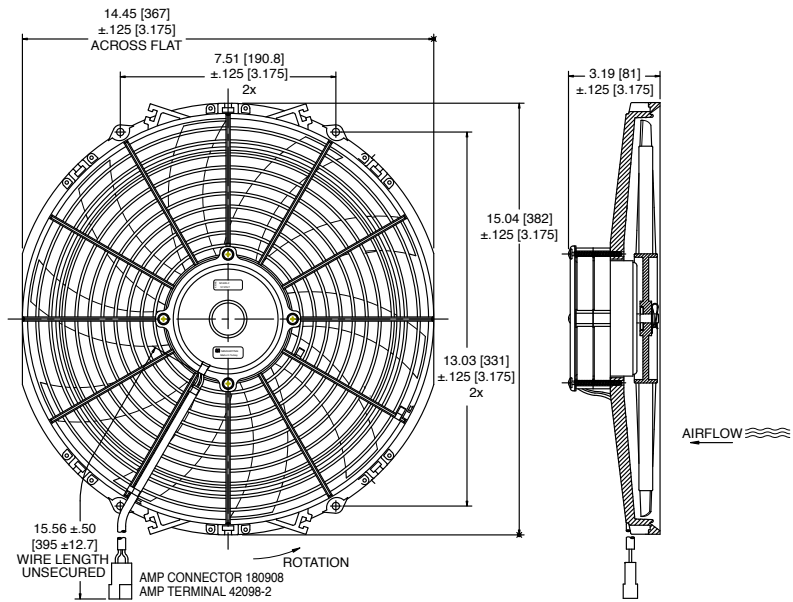
**Feature:** Sealed Motor

**Benefit:** Dust and water resistant. Can be sprayed clean.

**Feature:** All plastic is glass filled nylon. No inferior polypropylene mixes.

**Benefit:** Highest temperature and highest impact resistant material used in the market

TYPICAL PERFORMANCE DATA		
14in LP REV S PULL 12V 225W (M142K-F)		
in H <sub>2</sub> O Static	TOTAL FLOW cfm	13.5 vdc Amps
0.00	2135	16.8
0.10	2015	17.3
0.20	1878	17.5
0.30	1743	17.6
0.40	1615	18
0.50	1409	18.1
0.60	1126	17.8
0.70	899	17.8
0.80	620	16.4
0.90	stall @ 1.1"	17.2



Available Shroud Colors and Model Numbers		
	Color	Model #
	Black	M142K