

Model M123 - 12"



Feature: Reversible S-blade

Benefit: Allows you to stock only 1 fan part number instead of 2 (pusher/puller). S-blade provides lower noise.

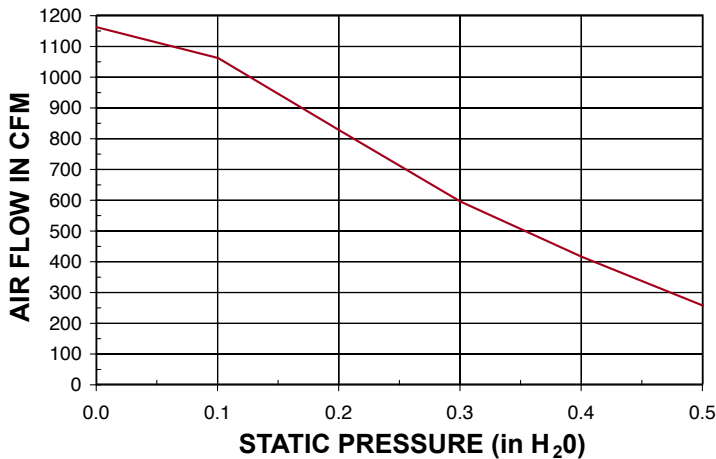
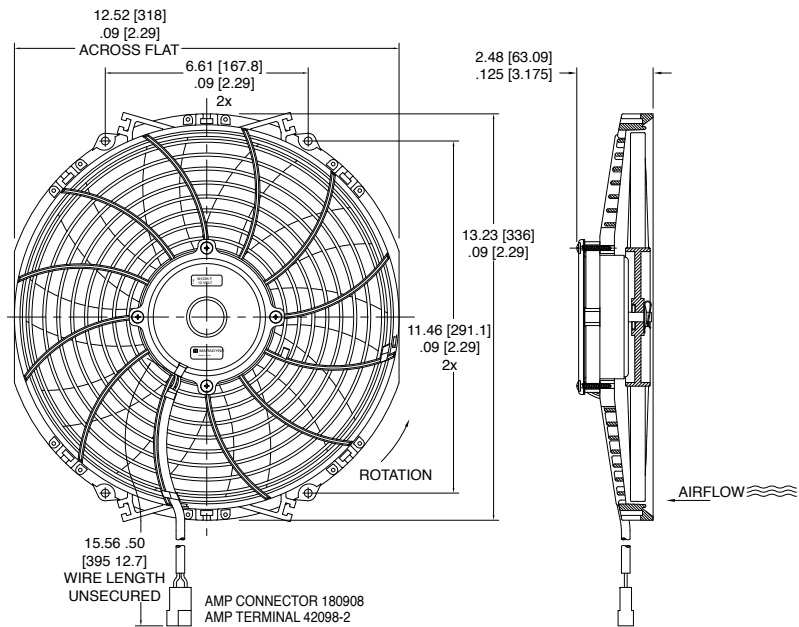
Feature: Sealed Motor

Benefit: Dust and water resistant. Can be sprayed clean.

Feature: All plastic is glass filled nylon. No inferior polypropylene mixes.

Benefit: Highest temperature and highest impact resistant material used in the market

TYPICAL PERFORMANCE DATA		
12in LP REV S PULL 12V 130W (M123K-F)		
in H ₂ O Static	TOTAL FLOW cfm	13.5 vdc Amps
0.00	1155	7.2
0.10	1059	7.5
0.20	825	7.8
0.30	593	7.8
0.40	414	7.6
0.50	255	7.5
0.60	stall @ 0.6"	8.4



Available Shroud Colors and Model Numbers		
	Color	Model #
	Black	M123K