

Model M122 - 12"



Feature: Reversible S-blade

Benefit: Allows you to stock only 1 fan part number instead of 2 (pusher/puller). S-blade provides lower noise.

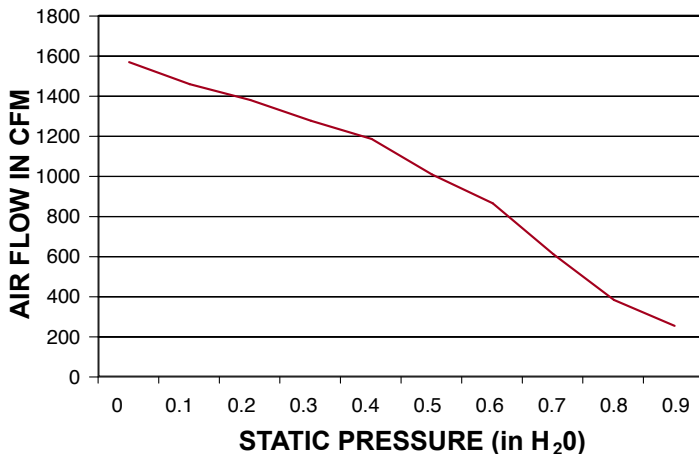
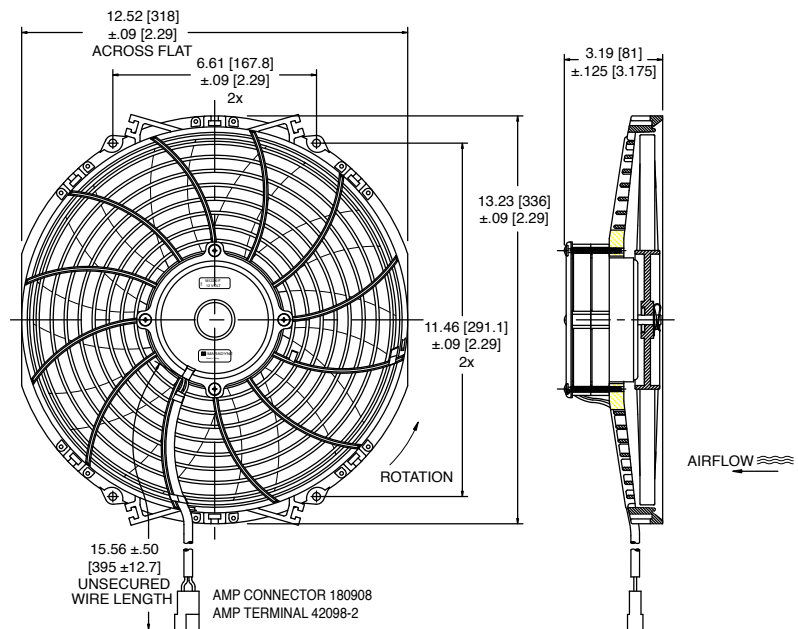
Feature: Sealed Motor

Benefit: Dust and water resistant. Can be sprayed clean.

Feature: All plastic is glass filled nylon. No inferior polypropylene mixes.

Benefit: Highest temperature and highest impact resistant material used in the market

TYPICAL PERFORMANCE DATA		
12in LP REV S PULL 12V 225W (M122K-F)		
in H ₂ O Static	TOTAL FLOW cfm	13.5 vdc Amps
0	1565	13.5
0.1	1456	13.8
0.2	1377	14.3
0.3	1273	14.3
0.4	1183	14.4
0.5	1005	14.4
0.6	862	14.4
0.7	608	14.3
0.8	380	13.5
0.9	251	13.8
1	stall @ 1.1"	15.6



Available Shroud Colors and Model Numbers		
	Color	Model #
	Black	M122K