

Model M113 - 11"



Feature: Reversible S-blade

Benefit: Allows you to stock only 1 fan part number instead of 2 (pusher/puller). S-blade provides lower noise.

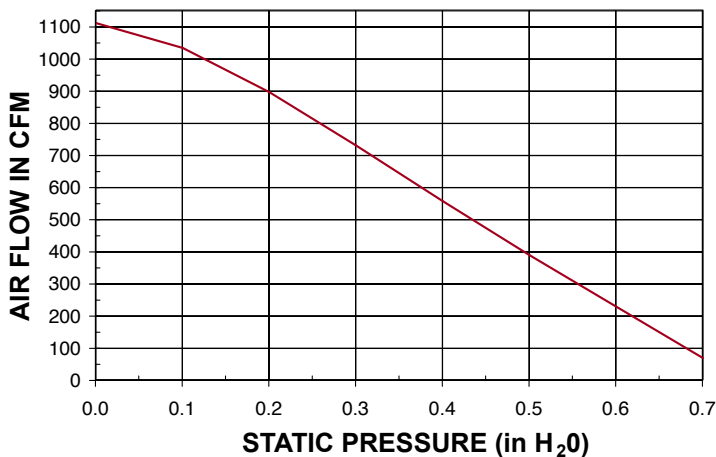
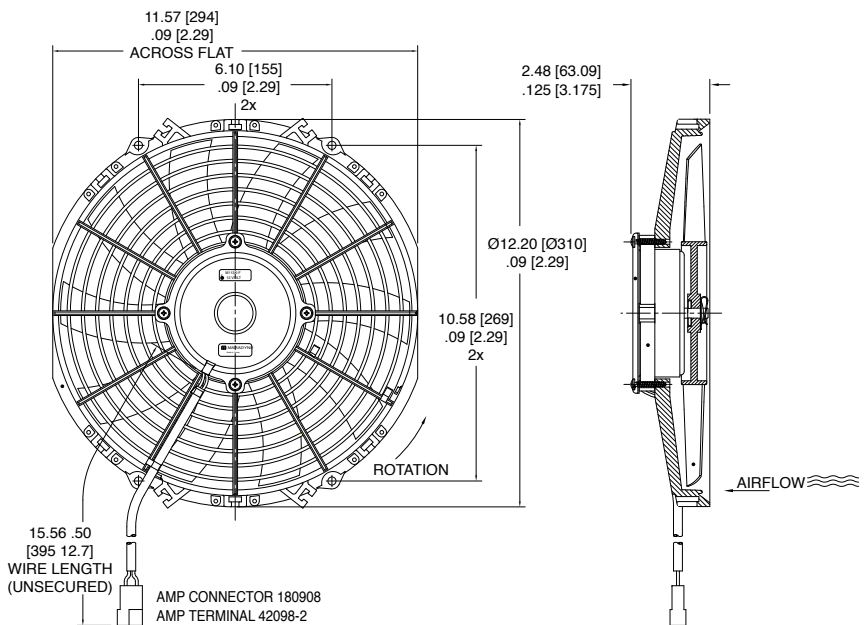
Feature: Sealed Motor

Benefit: Dust and water resistant. Can be sprayed clean.

Feature: All plastic is glass filled nylon. No inferior polypropylene mixes.

Benefit: Highest temperature and highest impact resistant material used in the market

TYPICAL PERFORMANCE DATA		
11in LP REV S PULL 12V 130W (M113K-F)		
inH ₂ O Static	TOTAL FLOW cfm	13.5 vdc Amps
0.00	1110	7.4
0.10	1032	8.0
0.20	895	8.2
0.30	728	8.2
0.40	555	8.1
0.50	387	8.0
0.60	227	8.2
0.70	67	8.8
0.80	stall @ 0.8"	9.2



Available Shroud Colors and Model Numbers		
	Color	Model #
	Black	M113K