



MARADYNE® 
HIGH PERFORMANCE FANS



Drive Hot...

Keep Your Cool!

Product Catalog

Volume 10

A strong family-operated business . . .

MARADYNE® High Performance Fans is a brand name owned by DCM Manufacturing, a wholly-owned subsidiary of Dreison International, Inc. DCM Manufacturing manufactures and sells accessories and components serving the off-road equipment, agricultural machinery, heavy-duty truck, automotive, bus, RV, marine and military markets.

DCM manufacturing facilities are located in Cleveland, OH, Grand Prairie, TX, Izmir, Turkey, Shenzhen, China and Empalme, Mexico. DCM also has strategic manufacturing alliances in China. Each international facility has on site engineering capabilities that are supported by our team of engineers in the United States as well as DCM employees in Asia and Mexico. All of our products are produced to meet USA design specifications, using quality components.



These companies are operated by the Berger family, which has taken an active role in their management for 35 years and has focused on providing quality products and premier service.

Dreison currently employs approximately three hundred fifty people, and annual revenues are approximately 60 million U.S. dollars. The philosophy to produce and distribute a quality product at a fair price, backed with service is a family tradition that ensures continual growth.

Table of Contents

Who we are	2
Contents	3
MARADYNE® Engineering	4
<i>At MARADYNE®, Why Buy a MARADYNE® High Performance Fan</i>	
<i>How to Choose an Electric Cooling Fan</i>	
Sponsorships	5
<i>Aeromotive, Furr Racing, MB Motorsports, Too Fast Racing,</i>	
<i>Team Retaks Racing and Venturini Motorsports</i>	
Champion Series Fans	6 – 7
<i>7” – 16” Low Profile High Performance Reversible S-Blade Models</i>	
<i>11” and 12” High Profile High Performance Straight Blade Puller Models</i>	
<i>16” and 14” Ultra Thin High Performance Straight Blade Puller Models</i>	
Mach Series Fans	8
<i>Mach One & Mach Two</i>	
Jetstreme Series Fans	9
<i>Jetstreme I, Jetstreme II and Jetstreme II Platinum</i>	
Challenger Series	10
<i>10” – 16” Medium Duty Reversible S-Blade Models</i>	
Pacesetter Series	11
<i>8” – 9” Medium Duty Reversible Straight Blade Models</i>	
<i>10” – 11” Medium Duty Reversible S-Blade Models</i>	
<i>13” – 16” Heavy Duty Reversible S-Blade Models</i>	
<i>12” – 16” 6V Heavy Duty Reversible Straight Blade Models</i>	
Mach Two Extreme	12
<i>Dual 16” Truck Fan & Mounting Kits</i>	
Engine Mount Fan Blades	13
<i>Texas Twister 14” – 18” Fan Blade Kits</i>	
Accessories	14 – 15
<i>Wire Harnesses, Replacement Parts & Mounting Brackets</i>	
The Heat 5000	16
<i>Hydronic Heater & Install Kits</i>	
Stoker™ Heaters	17
<i>Hydronic Plastic Stoker™ Heaters & Kits</i>	
Santa Fe Heater	18
<i>Hydronic Heater & Install Kits</i>	
Durango & Havasu Heaters	19 – 20
<i>Hydronic Plastic Heaters</i>	
Junior Jet 150	21
<i>Portable Air Compressor</i>	
Application Guide	22 – 39
Part # Index	39



At MARADYNE®

We design only the highest quality components into our fan assemblies. All plastic components are molded from engineering grade glass-filled nylon resin. All motors are designed for long life, durability and harsh environments. These motors perform not only on the race track, but also in extreme off-road conditions. All fan products are performance tested using our in-house air test chamber which insures you can trust our performance numbers.

MARADYNE® engineering also controls and monitors the design and manufacture of our fan assemblies at every step of the process, insuring you get a quality product every time. MARADYNE® Engineering strives to improve upon existing industry accepted designs so you get the most fan for your money.

MARADYNE® fans are found on Nationwide and Cup Series race cars, dragsters, hot rods, off-road vehicles, mobile generator sets, military vehicles, buses, golf carts, and many other specialty applications.

Why Buy a MARADYNE® High Performance Fan

- **INCREASED ENGINE COOLING** – Electric fans offer maximum performance at engine idle (when you need it most). Engine-driven fans are at their lowest rpm at idle.
- **INCREASED HORSE POWER** – Removing an engine-driven fan can increase horsepower as the engine drag from turning the fan is eliminated.
- **INCREASED MPG** – Removing an engine-driven fan can increase gas mileage as well, as the engine drag from turning the fan is eliminated.
- **INCREASED A/C COOLING AT IDLE** – Have you ever had your A/C blow warmer at a stop light? With the compressor turning slower at idle, increased airflow across the A/C condenser can help with colder A/C at idle.
- **CONCENTRIC RINGS** – Larger MARADYNE® fans have rings that prevent the blades from flexing as they achieve maximum rpm. These rings keep the blades properly pitched for maximum airflow.
- **SEALED MOTORS** – On Champion Series, Jetstreme and Mach One Series fans, the sealed motors are dust and waterproof to IP68 making them excellent for off-road applications where sand, dust or water can enter the engine compartment.
- **DYNAMICALLY BALANCED** – All MARADYNE® fans are dynamically balanced at the factory with balancing clips just as you balance a tire to a wheel. This provides for smooth running, less noise and longer life for the motor.
- **NATIONWIDE AND CUP SERIES PROVEN** – Our flagship fan, the 16" Champion Series M162K, is not only our most popular fan, it is the same fan we sponsor several Nationwide and Cup Series teams with. These teams value the fans as much for its ability to survive high speeds as for its performance. If it can cool an 800 hp 358 c.i. engine, it will likely cool your favorite ride. Most of our competition can not make this claim.

How to Choose an Electric Cooling Fan

What to consider when choosing the proper Maradyne High Performance Electric Cooling Fan? Maradyne HP Fans are considered universal fit electric fans so there are a couple different model fans that may fit any one application.

First: Start with measuring the core size of the radiator, just the core do not include the measurements of the cooling tanks on each side or top and bottom of the radiator. This will give you an idea of what diameter fan can be used or what shrouded version fans can be used. (Note: fans must cover as much of the radiator as possible. Fabricating or purchasing a shroud may be necessary).

Second: Consider all aspects of the engine, if you are dealing with a stock to mildly upgraded engine you do not need a fan with a high wattage motor or highest rated cfm but if you are dealing with a mid to highly upgraded engine you will want to consider the fans that have a higher wattage motor with maximum cfm of air movement. Fan motor wattage can range from 130w to 225w in the 12v configuration. If your application is mild now but plan to upgrade it there is nothing wrong with using the higher cfm rated fans as the fan is controlled by the temperature sending unit.

Push vs. Pull: If you are working with space issues keep in mind certain model fans can be reversible so they can either pull the air or push the air through the radiator. For example, in the majority of automotive applications fans are set up in the puller configuration to pull the air through the radiator from the grille opening area; however due to space issues & air flow characteristics, the need to mount the fan in the pusher configuration to push the air from the grille area through the radiator may be necessary.

Wattage: Note the more powerful cfm fan or fans you may choose the more amp draw it will have so make sure your electrical system can handle the addition of an electric fan. Amp draws on 12 to 16 inch fans can range from 15 to 28 amps, some dual fan applications can draw up to 35 amps.

SPONSORSHIPS



Proud **CHAMPION** SERIES Cooling Fan Sponsor of ...



FURR RACING



M162K or M166K
16" Reversible S-Blade



M103K
10" Reversible S-Blade



M122K or M123K
12" Reversible S-Blade



M083K
8" Reversible S-Blade

CHAMPION LOW PROFILE SERIES

- Lowest profile high performance reversibles on the market
- Sealed motor tested in accordance with DIN EN 60529, dust and water proof to IP68
- Quiet, reversible S-blade design – works as a puller or pusher fan (ships as a puller)
- All glass-filled nylon construction
- Includes (4) 90° mounting feet (all) and nylon tie kit (all 130 watt motors)
- Includes locking mating pigtail connector and rubber spacers for proper spacing off of heat exchanger
- Recommended wire harnesses* (sold separately)
 - MFA100 (adjustable thermostat)
 - MFA101 (A/C relay)
 - MFA102 (185° temperature switch)
 - MFA103 (195° temperature switch)
- Optional brackets* (sold separately)
 - MFA104 (metal bracket strips)
 - MFA105 (aluminum brackets)

* Please see pages 14 and 15 for wire harness, replacement parts and bracket descriptions.

CHAMPION LOW PROFILE SERIES SPECIFICATIONS

PART #	BLADE SIZE	MOTOR	DEPTH	CFM AT 0"	AMP DRAW
M166K	16" Reversible S-Blade	160W Heavy Duty	2.87"	1,810	12.3
M162K	16" Reversible S-Blade	225W Heavy Duty	3.19"	2,170	18.0
M146K	14" Reversible S-Blade	160W Heavy Duty	2.87"	1,555	10.1
M142K	14" Reversible S-Blade	225W Heavy Duty	3.19"	2,135	17.2
M123K	12" Reversible S-Blade	130W Heavy Duty	2.48"	1,155	7.7
M122K	12" Reversible S-Blade	225W Heavy Duty	3.19"	1,706	13.3
M113K	11" Reversible S-Blade	130W Heavy Duty	2.48"	1,110	7.4
M103K	10" Reversible S-Blade	130W Heavy Duty	2.48"	950	7.9
M093K	9" Reversible S-Blade	130W Heavy Duty	2.48"	790	7.7
M083K	8" Reversible S-Blade	130W Heavy Duty	2.48"	450	8.1
M073K	7" Reversible S-Blade	130W Heavy Duty	2.48"	375	6.5



TA12A3001
12" Straight Blade Puller



TA11A3001
11" Straight Blade Puller

CHAMPION HIGH PROFILE SERIES

- 225 watt heavy duty motor
- Powerful straight-blade design works as a puller only
- All glass-filled nylon construction
- Mounting feet molded into shroud

- Recommended wire harnesses*
(sold separately)
- MFA100 (adjustable thermostat)
- MFA101 (A/C relay)
- MFA102 (185° temperature switch)
- MFA103 (195° temperature switch)

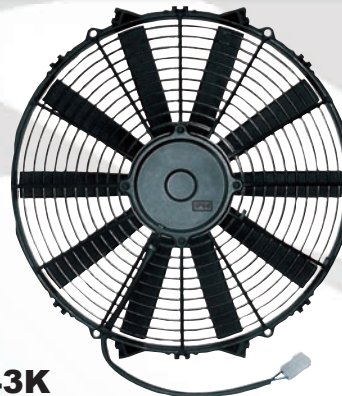
* Please see pages 14 and 15 for wire harness, replacement parts and bracket descriptions.

CHAMPION HIGH PROFILE SERIES SPECIFICATIONS

PART #	BLADE SIZE	MOTOR	DEPTH	CFM AT 0"	AMP DRAW
TA12A3001	12" Straight Blade Puller	225W Heavy Duty	3.80"	1,860	15.0
TA11A3001	11" Straight Blade Puller	225W Heavy Duty	4.00"	1,380	11.0



M163K
16" Straight Blade Puller



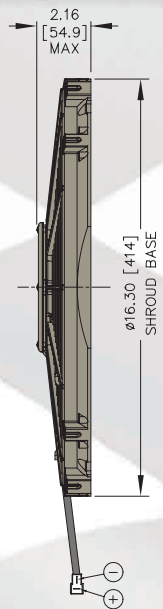
M143K
14" Straight Blade Puller

CHAMPION ULTRA THIN SERIES

- 130 watt heavy duty sealed motor tested in accordance with DIN EN 60529, dust and water proof to IP68
- Powerful straight-blade design works as a puller only
- All glass-filled nylon construction
- Includes (4) 90° mounting feet (all) and nylon tie kit

- Recommended wire harnesses*
(sold separately)
- MFA100 (adjustable thermostat)
- MFA101 (A/C relay)
- MFA102 (185° temperature switch)
- MFA103 (195° temperature switch)

* Please see pages 14 and 15 for wire harness, replacement parts and bracket descriptions.



Fits into the tightest spaces!

CHAMPION ULTRA THIN SERIES SPECIFICATIONS

PART #	BLADE SIZE	MOTOR	DEPTH	CFM AT 0"	AMP DRAW
M163K	16" Straight Blade Puller	130W Heavy Duty	2.16"	1,340	8.5
M143K	14" Straight Blade Puller	130W Heavy Duty	2.16"	1,077	6.4



MM12K
16" S-Blade

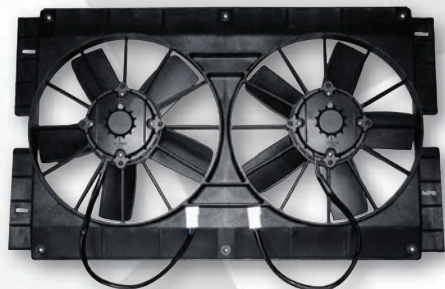


MACH ONE

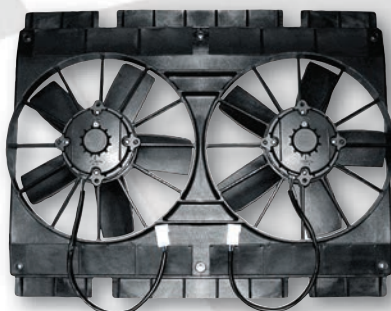
- Quiet S-blade design – works as a puller or pusher fan (ships as a pusher)
- All glass-filled nylon construction
- Rubber seal eliminates vibration contact and increases air flow
- Optional wire harnesses*
(sold separately)
MFA100 (adjustable thermostat)**
MFA101 (A/C Relay)
MFA102 (185° temperature switch)
MFA103 (195° temperature switch)
- Includes universal mounting brackets

* Please see pages 14 and 15 for wire harness, replacement parts and bracket descriptions.

** Included with KC model.



MM22KS
For Top & Bottom Tank Radiators



MM22KT
For Crossfl w Radiators



MM22K
Dual 11" Straight Blade



MACH TWO

- (2) 225 watt heavy duty motors
- Powerful, wide straight-blade (puller only)
- All glass-filled nylon construction
- Optional wire harnesses*
(sold separately)
MFA100 (adjustable thermostat)
MFA101 (A/C relay)
MFA111** (dual fan adapter)
MFA102 (185° temperature switch)
MFA103 (195° temperature switch)

* Please see pages 14 and 15 for wire harness, replacement parts and bracket descriptions.

** Needed for MACH TWO wire harnesses.

MACH SERIES SPECIFICATIONS

PART #	BLADE SIZE	MOTOR	WIDTH	HEIGHT	DEPTH	CFM AT 0"	AMP DRAW
MM12K	16" Reversible S-Blade	225W Sealed Heavy Duty	16"	17"	3.90"	2,160	18.0
MM12KC	16" Reversible S-Blade w/MFA100	225W Sealed Heavy Duty	16"	17"	3.90"	2,160	18.0
MM22K	Dual 11" Straight Blade Puller	(2) 225W Heavy Duty	23.5"	15.75"	3.80"	2,760	22.0
MM22KS	Dual 11" Straight Blade Puller w/Side Mounting Flanges	(2) 225W Heavy Duty	26.5"	15.75"	3.80"	2,760	22.0
MM22KT	Dual 11" Straight Blade Puller w/Top & Bottom Mounting Flanges	(2) 225W Heavy Duty	23.5"	18.25"	3.80"	2,760	22.0



**MJS23K, MJS26K or MJS22K
Dual 12"**



**MJS13K or MJS16K
Single 12"**

Jetstreme Series

- Low profile allows for turbo
- 130, 160 or 225 watt (Jetstreme II only) sealed motors tested in accordance with DIN EN 60529, dust and water proof to IP68
- Quiet S-blade design – works as a puller or pusher fan (ships as a puller)
- All glass-filled nylon construction
- Rubber seal eliminates vibration contact and increases air flow
- * Please see pages 14 and 15 for wire harness, replacement parts and bracket descriptions.
- ** Included with KC models.
- Optional wire harness* (sold separately)
 - Jetstreme I**
 - MFA100 (adjustable thermostat)**
 - MFA101 (A/C relay)
 - Jetstreme II**
 - MFA100 (adjustable thermostat)**
 - MFA101 (A/C relay)
 - MFA111 (dual fan adapter)**
 - MFA102 (185° temperature switch)
 - MFA103 (195° temperature switch)
- Mounting brackets (included)
 - Jetstreme I & II**
 - MFA107 (Rotates 90° to catch top & bottom or side U-channels) (Slotted mounting holes adjust to many different radiators)
 - Optional brackets* (sold separately)
 - Jetstreme I**
 - MFA106 (Fits 1992 – 2002 Honda Civic)

Jetstreme Series Specifications							
PART #	BLADE SIZE	MOTOR	WIDTH	HEIGHT	DEPTH	CFM AT 0"	AMP DRAW
MJS16K	12" Reversible S-Blade	160W Sealed Heavy Duty	13.5"	15"	3.62"	1,300	12.4
MJS16KC	12" Reversible S-Blade w/MFA100	160W Sealed Heavy Duty	13.5"	15"	3.62"	1,300	12.4
MJS13K	12" Reversible S-Blade	130W Sealed Heavy Duty	13.5"	15"	3.23"	1,155	7.2
MJS13KC	12" Reversible S-Blade w/MFA100	130W Sealed Heavy Duty	13.5"	15"	3.23"	1,155	7.2
MJS26K	Dual 12" Reversible S-Blade	(2) 160W Sealed Heavy Duty	26"	15"	3.62"	2,600	24.8
MJS26KC	Dual 12" Reversible S-Blade w/MFA100 & MFA111	(2) 160W Sealed Heavy Duty	26"	15"	3.62"	2,600	24.8
MJS23K	Dual 12" Reversible S-Blade	(2) 130W Sealed Heavy Duty	26"	15"	3.23"	2,310	14.4
MJS23KC	Dual 12" Reversible S-Blade w/MFA100 & MFA111	(2) 130W Sealed Heavy Duty	26"	15"	3.23"	2,310	14.4
MJS22K	Dual 12" Reversible S-Blade <i>Platinum</i>	(2) 225W Sealed Heavy Duty	26"	15"	3.94"	3,100	26.6
MJS22KC	Dual 12" Reversible S-Blade <i>Platinum</i> w/MFA100 & MFA111	(2) 225W Sealed Heavy Duty	26"	15"	3.94"	3,100	26.6



MC162K or MC166K
16" S-Blade



MC119K
11" S-Blade

**Universal White Box
Non-Branded**



MC136K
13" S-Blade



MC109K
10" S-Blade

CHALLENGER SERIES

- Economical – good for high performance or daily drivers
- Non-vented, heavy and medium duty motors
- Quiet, reversible S-blade design – works as a puller or pusher fan (ships as a puller)
- All glass-filled nylon construction
- Includes four (4) 90° mounting feet, mating pigtail connector and nylon pull through tie kit
- Recommended wire harnesses*
(sold separately)
MFA100 (adjustable thermostat)
MFA101 (A/C relay)
MFA102 (185° temperature switch)
MFA103 (195° temperature switch)

* Please see pages 14 and 15 for wire harness, replacement parts and bracket descriptions.



CHALLENGER SERIES SPECIFICATIONS

PART #	BLADE SIZE	MOTOR	DEPTH	CFM AT 0"	AMP DRAW
MC166K	16" Reversible S-Blade	160W Heavy Duty	3.87"	1,950	13.1
MC162K	16" Reversible S-Blade	225W Heavy Duty	4.35"	2,200	18.9
MC136K	13" Reversible S-Blade	160W Heavy Duty	3.82"	1,560	13.0
MC119K	11" Reversible S-Blade	90W Medium Duty	2.62"	767	7.7
MC109K	10" Reversible S-Blade	90W Medium Duty	2.62"	621	5.1

MP166K or MP162K
16" S-Blade



12V Universal
White Box
Branded

MP119K
11" S-Blade



MP089K
8" Straight Blade



MP099K
9" Straight Blade



MP109K
10" S-Blade



MP136K
13" S-Blade



PACESETTER SERIES (12V & 6V)

- Economical – good for high performance or daily drivers
- Non-vented, heavy and medium duty motors
- Quiet, reversible S-blade and Straight blade design – works as a puller or pusher fan (ships as a puller)
- All glass-filled nylon construction
- Includes four (4) 90° mounting feet, mating pigtail connector and nylon pull through tie kit. Molded in mounting feet as well (except MP099K model)
- Recommended wire harnesses (12V)*
(sold separately)
 - MFA100** (adjustable thermostat)
 - MFA101** (A/C relay)
 - MFA102** (185° temperature switch)
 - MFA103** (195° temperature switch)

•Recommended wire harnesses*

- (sold separately)
MFA100-6 (adjustable thermostat) which can be used with:
MFA108 (185° temperature sensor) & **MFA109** (195° temperature sensor)(purchased separately)

* Please see pages 14 and 15 for wire harness, replacement parts and bracket descriptions.



MP166K-6
16" Straight Blade
(also available in 14" & 12" straight blade)

PACESETTER SERIES SPECIFICATIONS

PART #	BLADE SIZE	VOLTS	MOTOR	DEPTH	CFM AT 0"	AMP DRAW
MP166K	16" Reversible S-Blade	12	160W Heavy Duty	4.08"	1,661	15.6
MP166K-6	16" Reversible Straight Blade	6	160W Heavy Duty	3.56"	1,248	15.4
MP162K	16" Reversible S-Blade	12	225W Heavy Duty	4.42"	1,746	12.9
MP146K-6	14" Reversible Straight Blade	6	160W Heavy Duty	3.46"	1,029	11.7
MP136K	13" Reversible S-Blade	12	160W Heavy Duty	3.61"	1,356	9.4
MP126K-6	12" Reversible Straight Blade	6	160W Heavy Duty	3.46"	910	11.4
MP119K	11" Reversible S-Blade	12	90W Medium Duty	2.49"	727	7.7
MP109K	10" Reversible S-Blade	12	90W Medium Duty	2.48"	666	4.5
MP099K	9" Reversible Straight Blade	12	90W Medium Duty	2.55"	585	6.8
MP089K	8" Reversible Straight Blade	12	90W Medium Duty	2.37"	391	5.1

INCREASED HORSEPOWER

MORE COOLING

BETTER MPG

MM22KX
Dual 16" S-Blade
Shipped as Pusher



Includes MFA100, MFA101 and MFA111 Wire Harness Kits.
See page 14 for description.

MACH TWO EXTREME - DUAL 16" SPECIFICATIONS

PART #	BLADE SIZE	MOTOR	WIDTH	HEIGHT	DEPTH	CFM AT 0"	AMP DRAW
MM22KX	Dual 16" Reversible S-Blade	(2) 225W Sealed Heavy Duty	33.5"	17"	3.90"	4,320	35.4

MACH TWO EXTREME MOUNTING BRACKET KITS



MFA121

1997 – 2003: Ford • F150 & F250
(Non Super Duty)

Up to 2002: Ford • Expedition
Up to 2002: Lincoln • Navigator



MFA122

1992 – 1999: Chevrolet / GMC • Truck /
SUV w/17" x 34" Radiators



MFA123

1992 – 1999: Chevrolet / GMC • Truck /
SUV w/19" x 34" Radiators



MFA124

2000 – 2002: Chevrolet / GMC • Truck / SUV w/34" Radiators
(Incudes Late Model 1999)



MFA125

All Years: All Makes • 34" Radiators

ENGINE MOUNT FAN BLADES



**MFA118
18" Fan Blade Kit w/Washers**

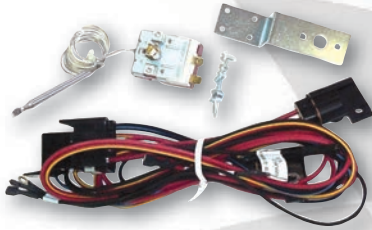
TEXAS TWISTER NYLON FAN BLADES

- Engine driven flex fan
- All glass-filled nylon construction
- Lightweight – lowers drag and improves engine performance over metal fan blades
- Includes mounting washers
- Up to 8,000 rpm max



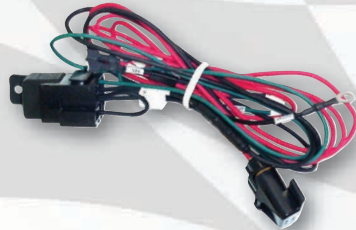
TEXAS TWISTER SPECIFICATIONS

PART #	STYLE	SIZE
MFA118	Fan Blade Kit w/Washers	18"
MFA117	Fan Blade Kit w/Washers	17"
MFA116	Fan Blade Kit w/Washers	16"
MFA115	Fan Blade Kit w/Washers	15"
MFA114	Fan Blade Kit w/Washers	14"



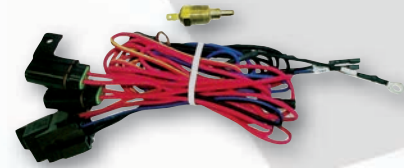
MFA100
Harness w/Adjust. Temp. Switch & Relay

Wiring harness kit operates an electric radiator fan according to engine water temperature. Kit includes heavy gauge wire harness, relay, weatherproof fuse, electrical connectors and adjustable (32° – 240°) temperature switch. Available in 6V (MFA100-6V)



MFA101
A/C Harness w/Relay

Operates electric fan when compressor clutch is engaged. Kit includes heavy gauge wire harness, relay, fuse and electrical connections.



MFA102
Harness w/Eng. Temp. Switch & Relay

Wiring harness kit operates an electric radiator fan according to engine water temperature. Kit includes heavy gauge wire harness, relay, weatherproof fuse, electrical connectors and 185° (on at 185° – off at 170°) temperature switch.



MFA103
Harness w/Eng. Temp. Switch & Relay

Wiring harness kit operates an electric radiator fan according to engine water temperature. Kit includes heavy gauge wire harness, relay, weatherproof fuse, electrical connectors and 195° (on at 200° – off at 195°) temperature switch.



MFA111
Dual Fan Adapter

Used with MFA 100, MFA 102, or MFA103 for dual fans assemblies.



MFA120
Adjustable Eng. Temp. Switch Wiring Harness (non-relay)

Kit operates an electric radiator fan according to water engine temperature. Kit includes wire, electrical connectors and adjustable temperature switch.



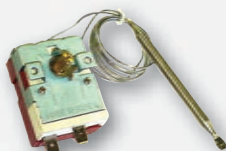
MFA108
185° Temperature Switch

For carbureted engines, 3/8" NPT. Turns on at 185° – turns off at 170°. (Replacement part for MFA102). Also works with MFA100-6V (optional).



MFA109
195° Temperature Switch

For fuel injected engines, 3/8" NPT. Turns on at 200° – turns off at 195°. (Replacement part for MFA103). Also works with MFA100-6V (optional).



MFA110
Adjustable Temperature Switch

Adjust from 32°F to 240°F. Fan shut-off at 20° cooler than set point. (Includes mounting bracket and screws). (Replacement part for MFA100).



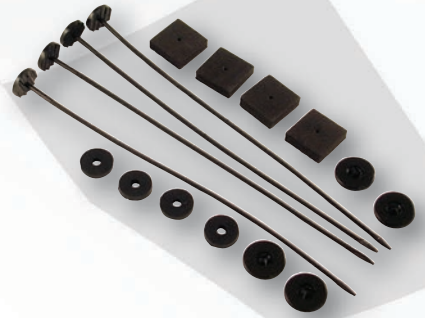
MFA113
Fan Pigtail Connector

For use with all MARADYNE® Fans. (Included with all Champion and Challenger Series fans).



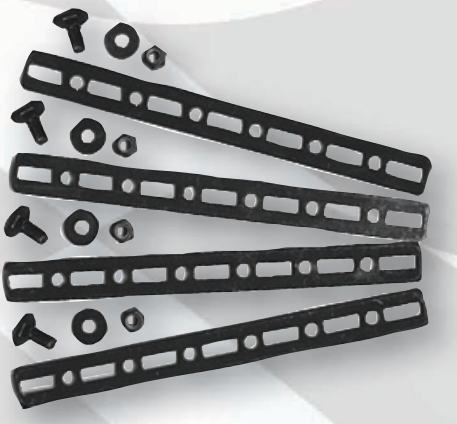
MFA112
Fan Rubber Spacer Kit

For use with all Champion Series Fans. (Included with all Champion Series fans).



M0912T
Replacement Nylon Tie kit

Included with all 130W Champion Series, and all Challenger and Pacesetter Series fans.



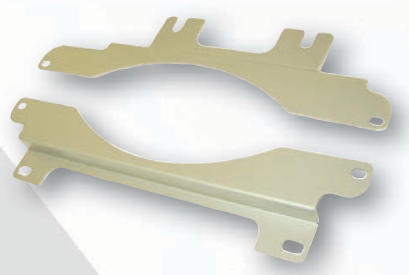
MFA104
Metal Universal Bracket Strips

Four strap brackets 7.25" long are used with 90° mounting feet (supplied with all MARADYNE@electric fans). Kit includes four (4) each bolts, washers and nylon lock nuts for secure fastening. Brackets can be bent and/or trimmed for a custom fit.



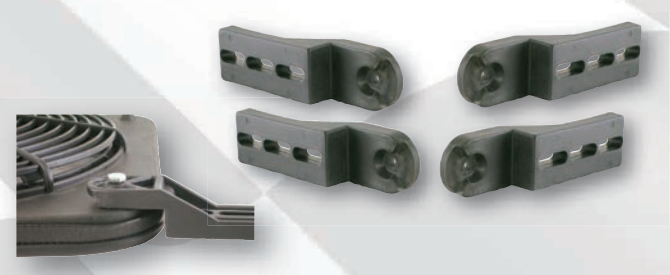
MFA105
Billet Aluminum Universal Fan Brackets

Two billet aluminum brackets with four (4) adjustable side angle brackets to attach to side flange of radiator. Kit includes four (4) each bolts, washers and nylon lock nuts for mounting fan. Fits 14" and 16" MARADYNE@electric fans.



MFA106
Billet Aluminum Brackets

Works with Jetstreme I fan only. Fits 1992 – 2000 Honda Civic.



MFA107
Bracket to fit Jetstreme I or II Fans

Rotates 90° to catch top and bottom or side U-channels. Slotted mounting holes adjust for many different radiators.

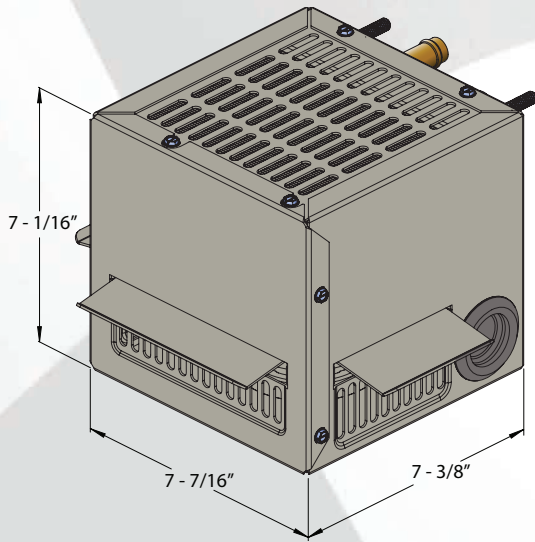
UNIVERSAL WALL/FLOOR MOUNT

THE HEAT 5000 SERIES



H-5670014
Switch Kit Included

H-503012
Wall/Floor Mount Heater



- Hydronic heater uses engine coolant for heat
- Rigid 22 ga. steel case with black finish
- Heavy duty long life motor
- Mounting studs and hose connections at rear
- Compact design
- Multi-speed fan control switch with mounting brackets
- Durable tube/fin core design
- Motor is internally grounded
- H-5670014 (switch kit only)
- Optional installation kits available* (sold separately)**
 - H-64006 (heater plumbing kit)
 - H-5670004 (switch kit w/wire harness)
 - H-5670005 (switch kit w/wire harness)
- Optional louver or defrost kits available* (sold separately)**
 - MFA126 (defrost kit)
 - MFA127 (louver kit)

* Please see below for installation, louver & defrost kit images.
** Optional kits not included with heater and switch.



MFA126
Defrost Kit



MFA127
Louver Kit

Optional Switch & Venting Kits:



H-5670004
Switch Kit & Wire Harness



H-5670005
Switch Kit & Wire Harness



H-64006
Heater Plumbing Kit
w/12.5 ft. Heater Hose

THE HEAT 5000 SPECIFICATIONS

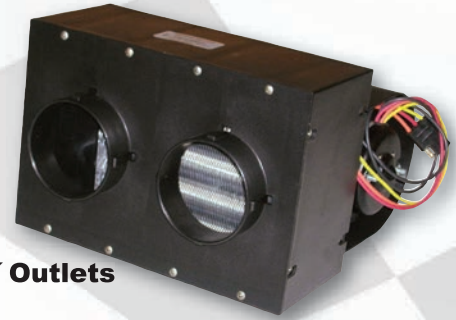
PART #	DIMENSIONS	MOTOR	VOLTS	BTUS/HR	AMP DRAW
H-503012	7 7/16" W x 7 3/8" D x 7 1/16" H	3-Speed	12VDC	12,500 Est.	3.1

UNIVERSAL FLOOR UNDER DASH MOUNT

Stoker™ SERIES

- Hydronic heater uses engine coolant for heat
- Heavy duty injection molded glass-filled nylon
- Heavy duty long life three-speed motor
- Compact design
- Multi-speed fan control switch with mounting brackets
- Durable tube/fin core design
- Requires external ground
- Mounting brackets included
- Optional installation kit available* (sold separately)**
MFA129 (engine fitting kit)
- Optional louver or defrost kits available* (sold separately)**
MFA128 (defrost kit)
MFA130 (louver kit)

* Please see below for installation, louver & defrost kit images.
** Optional kits not included with heater and switch.



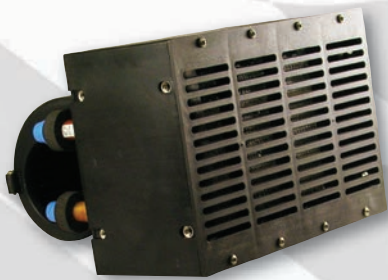
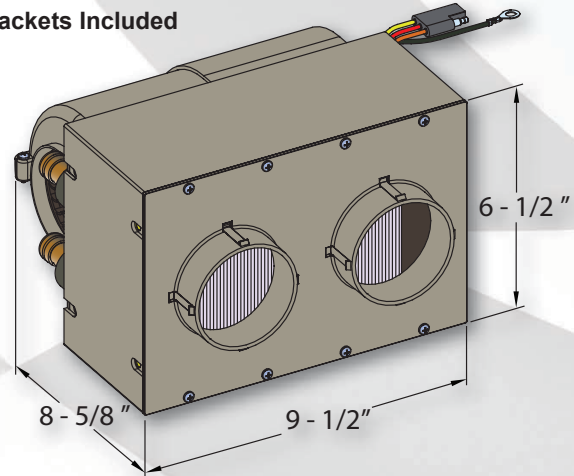
MM-A1090002
9" Stoker™ w/2 – 3" Outlets



Mounting Brackets Included



Switch Kit Included



MM-A1090009
9" Stoker™ w/Grille



MM-A1090004
9" Stoker™ w/Flanged Grille

Optional Plumbing & Venting Kits:



MFA128
Defrost Kit



MFA129
Engine Fitting Kit w/10 ft. Heater Hose



MFA130
Louver Kit

STOKER™ SERIES SPECIFICATIONS

PART #	DIMENSIONS	MOTOR	VOLTS	BTUS/HR	AMP DRAW
MM-A1090002	9 1/2" W x 8 5/8" D x 6 1/2" H	3-Speed	12VDC	26,000 Est.	9.6
MM-A1090004	11 5/16" W x 8 5/8" D x 7 1/2" H	3-Speed	12VDC	26,000 Est.	9.6
MM-A1090009	9 1/2" W x 8 5/8" D x 6 1/2" H	3-Speed	12VDC	26,000 Est.	9.6

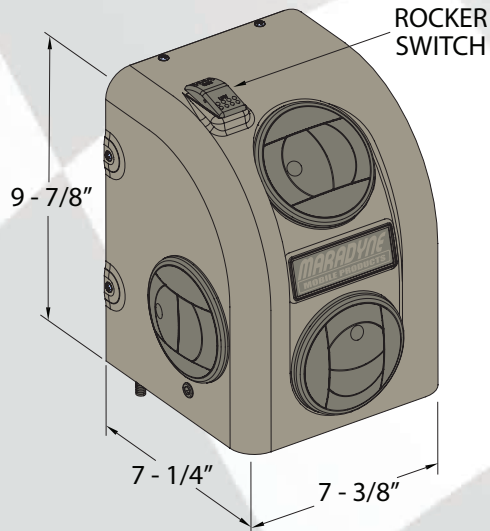
UNIVERSAL FLOOR MOUNT



Santa Fe Heater

- Hydronic heater uses engine coolant for heat
- Heavy duty injection molded glass-filled nylon
- Heavy duty long life motor
- Compact design
- Built-in two-speed fan control switch
- Adjustable airflow louvers
- Mounting Hardware Included
- Optional mounting bracket available* (sold separately)**
MFA132 (wall mounting bracket)
- Optional installation kit available* (sold separately)**
H-64006 (heater plumbing kit)
- Optional louver or defrost kits available* (sold separately)**
MFA128 (defrost kit)
MFA127 (louver kit)

* Please see below for mounting, installation, louver & defrost kit images.
** Optional kits not included with heater and switch.



MFA132
Optional Wall Mounting Bracket

Optional Plumbing & Venting Kits:



H-64006
Heater Plumbing Kit
w/12.5 ft. Heater Hose



MFA126
Defrost Kit



MFA127
Louver Kit

SANTA FE HEATER SPECIFICATIONS

PART #	DIMENSIONS	MOTOR	VOLTS	BTUS/HR	AMP DRAW
H-400012	7 ³ / ₈ " W x 7 ¹ / ₄ " D x 9 ⁷ / ₈ " H	3-Speed	12VDC	13,200 Est.	3.1

DURANGO HEATER



New!



- Hydronic heater uses engine coolant for heat.
- 2-speed heater, 12V with single scroll blower.
- 80 CFM air flow.
- Compact, excellent for small cabs.
- Under dash mount with optional mounting bracket, or create your own!
- Front panel with 2 adjustable louvers.



7³/₄" W x 9¹/₂" D x 4⁵/₈" H

DURANGO HEATER SPECIFICATIONS					
PART #	DIMENSIONS	MOTOR	VOLTS	BTUS/HR	AMP DRAW
HF-100012	7 ³ / ₄ " W x 9 ¹ / ₂ " D x 4 ⁵ / ₈ " H	2-Speed	12VDC	8,500 Est.	1.9



New!



- Hydronic heater uses engine coolant for heat.
- 2-speed heater, 12V with dual scroll blower.
- 177 CFM air flow.
- Compact, excellent for small cabs.
- Under dash mount with optional mounting bracket, or create your own!
- Front panel with 3 adjustable round louvers

10¹/₄" W x 7⁷/₈" D x 4¹/₂" H

HAVASU HEATERS SPECIFICATIONS

PART #	DIMENSIONS	MOTOR	VOLTS	BTUS/HR	AMP DRAW
HF-200012	10 1/4" W x 7 7/8" D x 4 1/2" H	2-Speed	12VDC	20,000 Est.	6.8

PORTABLE AIR PUMP



**New
& Improved!**

junior jet
150



**MJJ150
Portable Air Pump**



INCLUDES

- Plastic Inflatable Nozzles (2)
- Quick Release Coiled Air Hose
- Ball Needle
- Replacement Fuse
- NylonCarry Case

junior jet 150

- Designed for vehicle tires used on trucks, SUV's, vans, cars, bikes and inflatables
- Heavy duty, gearless, direct drive motor
- Cigarette lighter adaptor w/9 ft. power cord
- 27 in. high pressure coiled air hose (expands to 12 ft.) with quick release connector
- Built-in air pressure gauge (0 – 150psi)
- Oil-less design, maintenance free
- 75db low noise, air flow 35L/min.
- Working pressure: 150psi/10bar
- Average fill rate on 16" tire 7lbs/min.



MARADYNE® HP ELECTRIC FAN APPLICATION GUIDE

ALTERNATE

RANGE MODEL CUBIC INCHES LITERS ENG. AUX. PRIM. AUX. PRIM.

ACURA

1997-2002	CL		2.0	L4	M123K	(2) M123K	MP119K	(2) MP119K
1997-2002	CL		3.2	V6	M123K	(2) M123K	MP119K	(2) MP119K
1994-2001	Integra		1.8	L4	M123K	MJS23K	MP119K	(2) MP119K
1992-1995	Legend		3.2	V6	M123K	MJS23K	MP119K	(2) MP119K
1996-2010	RL, SLX, MDX		3.5	V6	M123K	MJS23K	MP119K	(2) MP119K
2002-2003	RSX & Type S		2.0	L4	M123K	(2) M123K	MP119K	(2) MP119K
1996-1998	SLX		3.2	V6	M123K	MM12K	MP119K	MP162K
1996-1998	TL		3.2	V6	M123K	MJS23K	MP119K	(2) MP119K
2004-2004	TSX		2.4	L4	M123K	MJS23K	MP119K	(2) MP119K

AMC

1971-1978	Ambassador	304, 360, 401	5.0, 5.9, 6.6	V8	M166K	MJS23K	MP166K	(2) MP119K
1970-1978	AMX	304, 360, 401	5.0, 5.9, 6.6	V8	M166K	MJS23K	MP166K	(2) MP119K
1978-1983	Concord	232, 258	3.8, 4.2	L6	M146K	MJS23K	MP136K	(2) MP119K
1978-1979	Concord	304	5.0	V8	M146K	MJS23K	MP136K	(2) MP119K
1980-1983	Concord	121, 151	2.0, 2.5	L4	MJS13K	MM12K	MP119K	MP162K
1966-1978	DPL	258	4.2	L6	M146K	MJS23K	MP136K	(2) MP119K
1980-1988	Eagle, SX-4	258	4.2	L6	M146K	MJS23K	MP136K	(2) MP119K
1980-1986	Eagle, SX-4	151	2.5	L4	MJS13K	MM12K	MP119K	MP162K
1970-1978	Gremlin	304, 360, 401	5.0, 5.9, 6.6	V8	M166K	MJS23K	MP166K	(2) MP119K
1970-1978	Hornet, Javelin	304, 360, 401	5.0, 5.9, 6.6	V8	M166K	MJS23K	MP166K	(2) MP119K
1966-1978	Matador	232	3.8	L6	M146K	MJS23K	MP136K	(2) MP119K
1970-1978	Pacer, SST	304, 360, 401	5.0, 5.9, 6.6	V8	M166K	MJS23K	MP166K	(2) MP119K
1968-1983	Spirit	232, 258	3.8, 4.2	L6	MJS13K	MM12K	MP119K	MP162K
1979-1983	Spirit	121, 151	2.0, 2.5	L4	MJS13K	MM12K	MP119K	MP162K

AUDI

1992-1995	90		2.8	V6	M146K	MM12K	MP136K	MP162K
1992-1994	100		2.8	V6	M166K	MM12K	MP166K	MP162K
1990-1991	100		2.3	L5	M166K	MM12K	MP166K	MP162K
1989-1991	200		2.2	L5	M123K	(2) M103K	MP119K	(2) MP109K
1980-1987	4000		1.7, 1.8	L4	M123K	(2) M103K	MP119K	(2) MP109K
1978-1988	5000		2.1, 2.2	L5	M123K	(2) M103K	MP119K	(2) MP109K
1994-2008	A4		1.8	L4	M123K	(2) M123K	MP119K	(2) MP119K
1994-2008	A4		2.8	V6	M123K	(2) M123K	MP119K	(2) MP119K
1994-2008	A6		1.8	L4	M123K	(2) M123K	MP119K	(2) MP119K
1994-2008	A6		2.8	V6	M123K	(2) M123K	MP119K	(2) MP119K
1973-1979	Fox		1.5, 1.6	L4	M123K	M123K	MP119K	MP119K
1992-1994	S4		2.2	L4	M166K	MM12K	MP166K	MP162K
1995-1997	S6		2.2	L5	M166K	MM12K	MP166K	MP162K

BMW

1984-1987	325		2.5	L6	M166K	MM12K	MP166K	MP162K
1979-1983	320i		1.8	L4	M123K	M123K	MP119K	MP119K
1984-1991	325e		2.5	L6	M166K	MM12K	MP166K	MP162K
1988-1996	325i		2.5	L6	M166K	MM12K	MP166K	MP162K
1997-1998	328i		2.8	L6	M166K	MM12K	MP166K	MP162K
1993-1996	540i		4.0	V8	M166K	MM12K	MP166K	MP162K
1993-1996	850Ci		5.0	V12	M166K	MM12K	MP166K	MP162K
1996-1998	M3		2.5, 3.2	L6	M166K	MM12K	MP166K	MP162K

BUICK

1975-1979	Century	231	3.8	V6	M146K	MJS23K	MP136K	(2) MP119K
-----------	---------	-----	-----	----	-------	--------	--------	------------

The information above has been compiled from industry guides with known sizes of fans recommended for vehicles listed and not necessarily from actual vehicle fit up.

MARADYNE® HP ELECTRIC FAN APPLICATION GUIDE

ALTERNATE

RANGE	MODEL	CUBIC INCHES	LITERS	ENG.	AUX.	PRIM.	AUX.	PRIM.
BUICK								
1974-1977	Century	350	5.7	V8	M166K	MJS23K	MP166K	(2) MP119K
1971-1977	Century	455	7.5	V8	M162K	MJS23K	MP162K	(2) MP119K
1968-1976	Century	350, 426, 455	5.7, 7.0, 7.5	V8	M146K	MJS23K	MP136K	(2) MP119K
1964-1988	Electra	307	5.0	V8	M166K	MJS23K	MP166K	(2) MP119K
1964-1988	Electra	350	5.7	V8	M146K	MJS23K	MP136K	(2) MP119K
1964-1988	Electra	403, 425, 455	6.6	V8	M162K	MJS23K	MP166K	(2) MP119K
1980-1981	Electra	350	5.7	V8	M146K	MJS23K	MP136K	(2) MP119K
1980-1984	Electra	231, 252	3.8, 4.1	V6	M146K	MJS23K	MP136K	(2) MP119K
1964-1990	EST Wagon/Roadmaster	305, 307, 350, 267	4.4, 5.0, 5.7	V8	M166K	MJS23K	MP166K	(2) MP119K
1964-1990	EST Wagon/Roadmaster	403, 425, 455	6.6, 6.9, 7.5	V8	M166K	MJS23K	MP166K	(2) MP119K
1977-1985	EST Wagon/Roadmaster	196, 231, 252	3.2, 3.8, 4.1	V6	MJS13K	MM12K	MP119K	MP162K
1971-1981	EST Wagon/Roadmaster	301, 350	4.9, 5.7	V8	M166K	MJS23K	MP166K	(2) MP119K
1992-1993	LeSabre, Park Ave.	307, 350	5.0, 5.7	V8	M146K	MJS23K	MP136K	(2) MP119K
1975-1979	LeSabre, Park Ave.	231	3.8	V6	M146K	MJS23K	MP136K	(2) MP119K
1974-1977	LeSabre, Park Ave.	350	5.7	V8	M166K	MJS23K	MP166K	(2) MP119K
1971-1977	LeSabre, Park Ave.	455	7.5	V8	M162K	MJS23K	MP162K	(2) MP119K
1968-1976	LeSabre, Park Ave.	350,426, 455	5.7, 7.0, 7.5	V8	M146K	MJS23K	MP136K	(2) MP119K
1988-1996	Regal	173, 189, 231	2.8, 3.1, 3.8	V6	MJS13K	MJS23K	MP119K	(2) MP119K
1972-1987	Regal	305, 307 Diesel	5.0, 5.7	V8	M166K	MJS23K	MP166K	(2) MP119K
1972-1987	Regal	350, 403, 455	6.6, 7.5	V8	M166K	MJS23K	MP166K	(2) MP119K
1978-1981	Regal	267, 301	4.4, 4.9	V8	M166K	MJS23K	MP166K	(2) MP119K
1978-1981	Regal	305, 350	5.0, 5.7, 6.6	V8	M166K	MJS23K	MP166K	(2) MP119K
1978-1987	Regal	231, 252, 265	3.8, 4.1, 4.3	V6	MJS13K	MM12K	MP119K	MP162K
1978-1987	Regal	196	3.2	V6	MJS13K	MM12K	MP119K	MP162K
1980-1981	Regal	260, 265	4.3, 4.3S	V6	MJS13K	MM12K	MP119K	MP162K
2004-2004	Rendezvous	220	3.6	V6	MJS13K	MM12K	MP119K	MP162K
2001-2003	Rendezvous	208	3.4	V6	MJS13K	MM12K	MP119K	MP162K
1979-1985	Riviera	231, 252	3.8, 4.1	V6	MJS13K	MM12K	MP119K	MP162K
1979-1985	Riviera	307, 350, 350 Diesel	5.0, 5.7	V8	MJS13K	MM12K	MP119K	MP162K
1964-1985	Riviera	425,455	5.0, 5.7, 6.9, 5.7	V8	M162K	MJS23K	MP162K	(2) MP119K
1964-1985	Riviera	307, 350 Diesel	5.0, 5.7	V8	MJS13K	MM12K	MP119K	MP162K
1980-1980	Riviera	350	5.7	V8	M146K	MJS23K	MP136K	(2) MP119K
1975-1981	Skyhawk	231	3.8	V6	MJS13K	MM12K	MP119K	MP162K
1992-1997	Skylark	189	3.1	V6	MJS13K	MJS23K	MP119K	(2) MP119K
1976-1979	Skylark	301, 305, 350	4.9, 5.0, 5.7	V8	M146K	MJS23K	MP136K	(2) MP119K
1977-1979	Skylark	231	3.8	V6	MJS13K	MM12K	MP119K	MP162K
1969-1979	Skylark	305, 350, 400, 455	5.7, 6.6, 7.5	V8	M162K	MJS23K	MP162K	(2) MP119K
1976-1976	Skylark	260	4.3	V8	M146K	MJS23K	MP136K	(2) MP119K
1969-1971	Skylark	250	4.0	L6	M146K	MJS23K	MP136K	(2) MP119K
1968-1968	Skylark	250	4.0	L6	M146K	MJS23K	MP136K	(2) MP119K
1965-1967	Skylark	225	3.6	V6	MJS13K	MM12K	MP119K	MP162K
1964-1967	Skylark	300, 340	4.9, 5.5	V8	MJS13K	MM12K	MP119K	MP162K
1965-1971	Special	250	4.1	L6	M146K	MJS23K	MP136K	(2) MP119K
1964-1972	Special	300, 340, 350	4.9, 5.5, 5.7	V8	MJS13K	MM12K	MP119K	MP162K
1965-1969	Special	400, 401	6.6	V8	M162K	MM12K	MP162K	MP162K
1968-1968	Special	250	4.1	L6	MJS13K	MM12K	MP119K	MP162K
1965-1967	Special	225	3.6	V6	MJS13K	MM12K	MP119K	MP162K
CADILLAC								
1993-1993	Brougham	301	4.9	V8	M146K	MJS23K	MP136K	(2) MP119K

The information above has been compiled from industry guides with known sizes of fans recommended for vehicles listed and not necessarily from actual vehicle fit up.

MARADYNE® HP ELECTRIC FAN APPLICATION GUIDE

ALTERNATE

RANGE MODEL CUBIC INCHES LITERS ENG. AUX. PRIM. AUX. PRIM.

CADILLAC

1992-1992	Brougham	307, 350	5.0, 5.7	V8	M146K	MJS23K	MP136K	(2) MP119K
1965-1976	Calais	429, 472, 500	7.0, 7.8, 8.0	V8	M166K	MJS23K	MP166K	(2) MP119K
1990-1993	DeVille,	307, 350	5.0, 5.7	V8	M146K	MJS23K	MP136K	(2) MP119K
1994-1997	Coupe DeVille	300	4.9	V8	MJS13K	MJS23K	MP119K	(2) MP119K
1983-1985	Coupe DeVille	350N Diesel	5.7	V8	M146K	MJS23K	MP136K	(2) MP119K
1982-1985	Coupe DeVille	252	4.1	V6	M146K	MJS23K	MP136K	(2) MP119K
1984-1984	Coupe DeVille	368	6.0	V8	M146K	MJS23K	MP136K	(2) MP119K
1977-1982	Coupe DeVille	350N, 425	5.7, 7.0	V8	M146K	MJS23K	MP136K	(2) MP119K
1965-1976	Coupe DeVille	429, 472, 500	7.0, 7.8, 8.0	V8	M166K	MJS23K	MP166K	(2) MP119K
2001-2006	Escalade, EXT		5.3, 6.0	V8	M146K	MM22KX & MFA122	MP136K	
1999-2000	Escalade, EXT	350	5.7	V8	M146K	MM22KX & MFA122	MP136K	
1965-1985	Eldorado	250, 425, 472, 500	4.1, 7.0, 7.8, 8.0	V8	M166K	MJS23K	MP166K	(2) MP119K
1979-1985	Eldorado	350, 350N	5.7, 5.7N	V8	M146K	MJS23K	MP136K	(2) MP119K
1981-1982	Eldorado	252	4.1	V6	MJS13K	MM12K	MP119K	MP162K
1980-1981	Eldorado	350, 350N, 368	5.7, 6.0	V8	M146K	MJS23K	MP136K	(2) MP119K
1990-1993	Fleetwood,	307, 350	5.0, 5.7	V8	M146K	MJS23K	MP136K	(2) MP119K
1968-1976	Fleetwood 75	472, 500	7.8, 8.0	V8	M166K	MJS23K	MP166K	(2) MP119K
1986-1990	Fleetwood 75	307	5.0	V8	M146K	MJS23K	MP136K	(2) MP119K
1983-1985	Fleetwood 75	350 Diesel	5.7	V8	M146K	MJS23K	MP136K	(2) MP119K
1982-1985	Fleetwood 75	250	4.1	V8	MJS13K	MM12K	MP119K	MP162K
1980-1984	Fleetwood 75	350, 350N, 368	5.7, 6.0	V8	M146K	MJS23K	MP136K	(2) MP119K
1980-1982	Fleetwood 75	252	4.1	V6	MJS13K	MM12K	MP119K	MP162K
1977-1979	Fleetwood 75	425	7.0	V8	M146K	MJS23K	MP136K	(2) MP119K
1976-1981	Fleetwood Coupe,	350, 368, 425	5.7, 6.0, 7.0	V8	M166K	MJS23K	MP166K	(2) MP119K
1976-1981	Sedan, Sedan Seville	252, 350N	4.1	V6	MJS13K	MM12K	MP119K	MP162K
1994-1996	Seville	350	5.7	V8	M146K	MJS23K	MP136K	(2) MP119K
1978-1985	Seville	350N Diesel	5.7N	V8	M146K	MJS23K	MP136K	(2) MP119K
1982-1985	Seville	250	4.1	V8	MJS13K	MM12K	MP119K	MP162K
1981-1982	Seville	252	4.1	V6	MJS13K	MM12K	MP119K	MP162K
1980-1981	Seville	368	6.0	V8	M146K	MJS23K	MP136K	(2) MP119K

CHEVROLET

1990-1997	Beretta/Corsica		2.2, 2.3, 3.1	V6, L4	MJS13K	MJS23K	MP119K	(2) MP119K
1967-1985	Camaro	302, 307, 305, 350	5.0, 5.4, 5.7	V8	M146K	MJS23K or MM12K	MP136K	(2) MP119K
1967-1984	Camaro	230, 250	3.8, 4.1	L6	MJS13K	MM12K	MP119K	MP162K
1967-1968	Camaro	396, 427	6.5, 7.0	V8	M166K	MM12K	MP166K	MP162K
1967-1969	Camaro	250	4.1	L6	M146K	MM12K	MP136K	MP162K
1967-1969	Camaro	302, 307, 327	5.0, 5.4, 5.7	V8	M146K	MJS23K	MP136K	(2) MP119K
1967-1969	Camaro	350, 396, 427	6.5, 7.0	V8	M146K	MJS23K	MP136K	(2) MP119K
1969-1985	Camaro	307, 327, 350	5.0, 5.4, 5.7	V8	M146K	MJS23K	MP136K	(2) MP119K
1969-1972	Camaro	396, 427	6.5, 7.0	V8	M166K	MJS23K	MP166K	(2) MP119K
1970-1981	Camaro	230, 250	3.8, 4.4	L6, V6	M146K	MM12K	MP136K	MP162K
1970-1981	Camaro	305, 350	5.0, 5.7	V8	M146K	MJS23K	MP136K	(2) MP119K
1980-1981	Camaro	305, 350	5.0, 5.7	V8	M146K	MJS23K	MP136K	(2) MP119K
1980-1981	Camaro	229, 231	3.8	V6	MJS13K	MM12K	MP119K	MP162K
1982-1985	Camaro	151	2.5	L4	MJS13K	MJS23K	MP119K	(2) MP119K
1982-1984	Camaro	173	2.8	V6	MJS13K	MM12K	MP119K	MP162K
1982-1992	Camaro	173, 190	2.8, 3.1	V6	M146K	MM12K	MP136K	MP162K
1982-1992	Camaro	305, 350	5.0, 5.7	V8	M146K	MJS23K	MP136K	(2) MP119K
1993-2002	Camaro	190, 231	3.4, 3.8	V6	M146K	MM12K	MP136K	MP162K

The information above has been compiled from industry guides with known sizes of fans recommended for vehicles listed and not necessarily from actual vehicle fit up.

MARADYNE® HP ELECTRIC FAN APPLICATION GUIDE

ALTERNATE

RANGE	MODEL	CUBIC INCHES	LITERS	ENG.	AUX.	PRIM.	AUX.	PRIM.
CHEVROLET								
1993-2002	Camaro	350	5.7	V8	M146K	MM12K	MP136K	MP162K
1959-1969	Caprice, Impala	327, 348, 409	5.4, 5.7, 6.7	V8	M166K	MJS23K	MP166K	(2) MP119K
1963-1989	Caprice, Impala	262	4.3	V6	MJS13K	MJS23K	MP119K	(2) MP119K
1969-1972	Caprice, Impala	250	4.1	L6	MJS13K	MM12K	MP119K	MP162K
1970-1990	Caprice, Impala	305, 307, 350, 400, 454	4.4, 5.0	V8	M166K	MJS23K or MM12K	MP166K	(2) MP119K
1980-1990	Caprice, Impala	267, 305, 307, 350, 350N	4.4, 5.0, 5.7	V8	M146K	MJS23K	MP136K	(2) MP119K
1980-1988	Caprice, Impala	229, 262	3.8, 4.3	V6	MJS13K	MM12K	MP119K	MP162K
1980-1984	Caprice, Impala	229, 331	3.8	V6	MJS13K	MM12K	MP119K	MP162K
1982-1988	Caprice, Impala	229, 262	3.8, 4.3	V6	MJS13K	MM12K	MP119K	MP162K
1989-1993	Caprice, Impala	305, 350	5.0, 5.7	V8	M146K	MJS23K	MP136K	(2) MP119K
1992-1992	Caprice, Impala	262	4.3	V6	MJS13K	MM12K	MP119K	MP162K
1994-1996	Caprice, Impala	350	5.7	V8	M146K	MJS23K	MP136K	(2) MP119K
1968-1977	Chevelle	250	4.1	L6	MJS13K	MM12K	MP119K	MP162K
1968-1977	Chevelle	307, 327, 350, 396, 454	5.0, 5.4, 5.7, 6.5, 7.5	V8	M146K	MJS23K	MP136K	(2) MP119K
1995-1998	Chevelle, El Camino,	191, 207	3.1, 3.4	V6	MJS13K	MJS23K	MP119K	(2) MP119K
1960-1974	Corvette	283, 327, 350	4.6, 5.4, 5.7	V8	M166K	MJS23K or MM12K	MP166K	(2) MP119K
1960-1974	Corvette	396, 427, 454	6.6, 7.0, 7.4	V8	M146K	MJS26K	MP136K	
1966-1968	Corvette	327, 350, 396, 427	5.4, 5.7, 6.5, 7.0	V8	M146K	MJS26K	MP136K	
1969-1982	Corvette	350, 427, 454	5.7, 7.0, 7.4	V8	M146K	MJS26K	MP136K	
1970-1981	Corvette	350, 454	5.7, 7.4	V8	M166K	MJS23K	MP166K	(2) MP119K
1979-1982	Corvette	350	5.7	V8	M146K	MJS23K	MP136K	(2) MP119K
1990-1996	Corvette	350	5.7	V8	MJS13K	MM12K	MP119K	MP162K
1990-1998	Lumina	all		V6, L4	MJS13K	MJS23K	MP119K	(2) MP119K
1979-1988	Malibu,	307, 350, 400	4.4, 5.0, 5.7, 6.6	V8	M146K	MJS23K	MP136K	(2) MP119K
1975-1983	Malibu, Monte Carlo	250, 350, 454	4.1, 5.7, 7.4	L6, V8	M146K	MJS23K	MP136K	(2) MP119K
1964-1968	Monte Carlo	327, 396	4.6, 5.4, 6.5	V8	M146K	MJS23K	MP136K	(2) MP119K
1964-1968	Monte Carlo	283, 327	4.6, 5.4	V8	M146K	MJS23K	MP136K	(2) MP119K
1967-1968	Monte Carlo	250	4.1	L6	M146K	MJS23K	MP136K	(2) MP119K
1969-1981	Monte Carlo	350, 396, 454	5.7, 6.5, 7.4	V8	M166K	MJS23K	MP166K	(2) MP119K
1969-1981	Monte Carlo	267, 307	4.4, 5.0	V8	M166K	MJS23K	MP166K	(2) MP119K
1969-1977	Monte Carlo	250	4.1	L6	M146K	MJS23K	MP136K	(2) MP119K
1979-1981	Monte Carlo	305, 350	4.4, 5.0, 5.7	V8	M146K	MJS23K	MP136K	(2) MP119K
1975-1980	Monza	140, 151	2.3, 2.5	L4	M103K	(2) M103K	MP109K	(2) MP109K
1975-1976	Monza	262	4.3	V8	M103K	(2) M103K	MP109K	(2) MP109K
1976-1978	Monza	305	5.0	V8	M103K	(2) M103K	MP109K	(2) MP109K
1978-1980	Monza	231	3.8	V6	M103K	(2) M103K	MP109K	(2) MP109K
1964-1967	Nova, Chevy II, Vega	250, 283, 327	4.1, 4.6, 5.4	L6, V8	MJS13K	MM12K	MP119K	MP162K
1966-1968	Nova, Chevy II, Vega	327	5.4	V8	MJS13K	MM12K	MP119K	MP162K
1968-1974	Nova, Chevy II, Vega	230, 250, 307, 350	3.7, 4.1, 5.0, 5.7	L6, V8	MJS13K	MM12K	MP119K	MP162K
1969-1979	Nova, Chevy II, Vega	307, 327, 350	5.0, 5.4, 5.7	V8	MJS13K	MM12K	MP119K	MP162K
1976-1979	Nova, Chevy II, Vega	250, 305	4.1, 5.0	L6, V8	MJS13K	MM12K	MP119K	MP162K
CHEVY & GMC TRUCKS & VANS								
2000-2006	All Full Size Pickups &		6.6, 8.1	V8		MM22KX & MFA125		
2000-2006	SUVs, including		4.8, 5.3, 6.0	V8	M146K	MM22KX & MFA124	MP136K	
2001-2006	Suburban, Blazer,		6.6 Diesel	V8		MM22KX & MFA125		
1999-2006	Tahoe, Jimmy &		4.8, 5.3	V8		MJS26K		
1999-2006	Yukon		4.3	V6	MJS13K	MJS26K	MP119K	
1988-1999	all cont'd	305, 350, 454	5.0, 5.7, 7.4	V8	M146K	MJS26K	MP136K	

The information above has been compiled from industry guides with known sizes of fans recommended for vehicles listed and not necessarily from actual vehicle fit up.

MARADYNE® HP ELECTRIC FAN APPLICATION GUIDE

ALTERNATE

RANGE MODEL CUBIC INCHES LITERS ENG. AUX. PRIM. AUX. PRIM.

CHEVY & GMC TRUCKS & VANS

1988-1995	all cont'd	262	4.3	V6	M103K	MM12K		MP162K
1988-1995	all cont'd	305, 350	5.0, 5.7	V8	M146K	MM22KX	MP136K	
1987-1993	all cont'd	379 Diesel	6.2	V8	M146K	MM22KX	MP136K	
1968-1991	all cont'd	307, 350, 400	5.0, 5.7, 6.6	V8	M146K	MJS26K	MP136K	
1957-1991	all cont'd	307, 327 w/18" fan	5.0, 5.4	V8	M146K	MM22KX	MP136K	
1978-1990	all cont'd	229	3.8	L6	MJS13K	MM12K	MP119K	MP162K
1978-1990	all cont'd	250, 292	4.1, 4.8	L6	MJS13K	MJS23K	MP119K	(2) MP119K
1985-1988	all cont'd	262	4.3	V6	M103K	MM12K		MP162K
1969-1977	all cont'd	250, 292	4.1, 4.8	L6	MJS13K	MM22KX	MP119K	
1968-1972	all cont'd	396, 400	6.5, 6.6	V8	M146K	MM22KX	MP136K	
1967-1972	Full Size Pick Ups,	250, 283, 307, 350, 402	4.1, 4.6, 5.0, 5.7, 6.6	L6, V8	MJS13K	MJS23K or MJS26K	MP119K	
1973-1987	Suburban, Blazer,	250, 292, 305, 350, 454	4.1, 4.8, 5.0, 5.7, 7.4	L6, V8	MJS13K	MJS23K or MJS26K	MP119K	
1988-2005	Jimmy, Tahoe, Yukon		4.3, 4.8, 5.0, 5.3, 5.7, 6.0, 6.2, 6.5, 6.6, 7.4	V6, V8	M146K	MM22KX	MP136K	

CHEVY MID-SIZE PICK-UPS

1996-2004	S10, T10, S15,	262	4.3	V6	MJS13K	MJS23K	MP119K	(2) MP119K
1994-2003	Sonoma,	134	2.2	L4	MJS13K	MM12K	MP119K	MP162K
1988-1997	Blazer & Jimmy	262	4.3	V6	MJS13K	MM12K	MP119K	MP162K
1987-1997	all cont'd	173	2.8	V6	MJS13K	MM12K	MP119K	MP162K
1987-1993	all cont'd	151	2.5	L4	MJS13K	MM12K	MP119K	MP162K
1982-1986	all cont'd	151	1.9, 2.0, 2.5	V6	MJS13K	MM12K	MP119K	MP162K
1982-1985	all cont'd	173	2.8	V6	MJS13K	MM12K	MP119K	MP162K
1983-1984	all cont'd	121	1.9, 2.0	L4	MJS13K	MJS13K	MP119K	MP119K
1987-1995	Full size Vans G,	262	4.3	V6	MJS13K	MM12K	MP119K	MP162K
1987-1995	1,2,3 Class C Motorhomes	350, 454	5.0, 5.7, 7.4	V8	M146K	MM22KX & MFA125	MP136K	
1987-1995	all cont'd	305, 350	5.0, 5.7	V8	MJS13K	MM12K	MP119K	MP162K
1973-1994	all cont'd	350, 379 inc. Diesel	5.7, 6.2	V8	MJS13K	MM12K	MP119K	MP162K
1973-1988	all cont'd	350, 400	5.7, 6.6	V8	M146K	MM22KX	MP136K	
1970-1988	all cont'd	305, 350	5.0, 5.7	V8	M146K	MJS23K	MP136K	(2) MP119K
1985-1986	all cont'd	262	4.3	V6	MJS13K	MM12K	MP119K	MP162K
1975-1986	all cont'd	305	5.0	V8	MJS13K	MM12K	MP119K	MP162K
1967-1985	all cont'd	250	4.1	L6	M146K	MJS23K	MP136K	(2) MP119K
1962-1977	all cont'd	229, 231	3.8	L6	M146K	MJS23K	MP136K	(2) MP119K
1968-1973	all cont'd	307, 327	5.0, 5.4	V8	M146K	MJS23K	MP136K	(2) MP119K
1987-1997	Mini Vans, Astro, Safari	262	4.3	V6	MJS13K	MM12K	MP119K	MP162K
1987-1987	all cont'd	151	2.5	L4	MJS13K	MM12K	MP119K	MP162K
1985-1986	all cont'd	262	4.3	V6	MJS13K	MM12K	MP119K	MP162K
1985-1986	all cont'd	262	4.3	V6	MJS13K	MM12K	MP119K	MP162K
1985-1986	all cont'd	151	2.5	L4	MJS13K	MJS13K	MP119K	MP119K
1972-1982	Luv	111	1.8	L4	MJS13K	MJS13K	MP119K	MP119K

CHRYSLER

1999-2002	300M			V6	M123K	MJS23K	MP119K	(2) MP119K
1966-1989	5th Avenue, New Yorker	360, 400, 440	5.9, 6.6, 7.2	V8	M146K	MJS23K	MP136K	(2) MP119K
1960-1978	Lebaron, Town & Country	413, 440	6.8, 7.2	V8	M146K	MJS23K	MP136K	(2) MP119K
1966-1978	all cont'd	360, 400, 440	5.9, 6.6, 7.2	V8	M146K	MJS23K	MP136K	(2) MP119K
1960-1965	all cont'd	413	6.8	V8	M146K	MJS23K	MP136K	(2) MP119K

The information above has been compiled from industry guides with known sizes of fans recommended for vehicles listed and not necessarily from actual vehicle fit up.

MARADYNE® HP ELECTRIC FAN APPLICATION GUIDE

ALTERNATE

RANGE	MODEL	CUBIC INCHES	LITERS	ENG.	AUX.	PRIM.	AUX.	PRIM.
CHRYSLER								
1973-1978	Cordoba	360, 400, 440	5.2, 5.9, 6.6, 7.2	V8	MJS13K	MJS23K	MP119K	(2) MP119K
1973-1978	Imperial	360, 400, 440	5.2, 5.9, 6.6, 7.2	V8	M146K	MJS23K	MP136K	(2) MP119K
1968-1980	Newport, Custom	360, 400, 440	5.2, 5.9, 6.6, 7.2	V8	M146K	MJS23K	MP136K	(2) MP119K
1965-1978	Newport, Custom	383	6.3	V8	M146K	MJS23K	MP136K	(2) MP119K
2001-2002	PT Cruiser		2.0	L4	MJS13K	MJS13K	MP119K	MP119K
DAEWOO								
2000-2002	Lanos	1.6	1.6	L4	M123K	(2) M123K	MP119K	(2) MP119K
2000-2002	Nubria	1.6	1.6	L4	M123K	(2) M123K	MP119K	(2) MP119K
DODGE								
1976-1980	Aspen	318, 360	5.2, 5.9	V8	MJS13K	MM12K	MP119K	MP162K
1976-1980	Aspen	318, 360	5.2, 5.9	V8	MJS13K	MM12K	MP119K	MP162K
1976-1980	Aspen	225	3.7	L6	MJS13K	MM12K	MP119K	MP162K
1970-1974	Charger, Magnum, Coronet	318,360	5.2, 5.9	V8	M146K	MJS23K	MP136K	(2) MP119K
1970-1974	Custom 880	340, 318, 383, 440	5.2, 5.6, 6.3, 7.2	V8	M146K	MJS23K	MP136K	(2) MP119K
1974-1974	all above	360 w/Std Clutch	5.9	V8	M146K	MJS23K	MP136K	(2) MP119K
1970-1973	all above	340, 383, 440	5.6, 6.3, 7.2	V8	M146K	MJS23K	MP136K	(2) MP119K
1970-1972	all above	225	3.7	L6	MJS13K	MM12K	MP119K	MP162K
1965-1979	Charger, Magnum, Coronet	318, 360	5.2, 5.9	V8	M146K	MJS23K or MM12K	MP136K	MP162K
1965-1979	Custom 880	340, 383, 440	5.2, 5.6, 6.3, 7.2	V8	M146K	MJS23K or MM12K	MP136K	MP162K
1965-1979	all above	318, 360,400	5.2, 5.9, 6.5	V8	M146K	MJS23K or MM12K	MP136K	MP162K
1963-1979	all above	383, 400, 440	6.3, 6.5, 7.2	V8	M146K	MJS23K or MM12K	MP136K	MP162K
1963-1979	all above	225	3.7	L6	MJS13K	MM12K	MP119K	MP162K
1961-1976	Dart, Demon, Swinger, GTS	340, 383, 413	5.6, 6.3, 6.8	V8	MJS13K	MM12K	MP119K	MP162K
1964-1976	all above	318, 360	5.2, 5.9	V8	MJS13K	MM12K	MP119K	MP162K
1963-1976	all above	318, 340	5.2, 5.6	V8	MJS13K	MM12K	MP119K	MP162K
1974-1976	all above	360	5.9	V8	MJS13K	MM12K	MP119K	MP162K
1960-1976	all above	225	3.7	L6	MJS13K	MM12K	MP119K	MP162K
1963-1974	all above	170, 198	2.8, 3.2	L6	MJS13K	MJS13K	MP119K	MP119K
1972-1983	all above	318, 400	5.2, 6.5	V8	M146K	MJS23K	MP136K	(2) MP119K
1977-1983	all above	225	3.7	L6	M146K	MJS23K	MP136K	(2) MP119K
1965-1977	all above	383, 440	6.3, 7.2	V8	M146K	MJS23K	MP136K	(2) MP119K
1965-1977	all above	383, 440	6.3, 7.2	V8	M146K	MJS23K	MP136K	(2) MP119K
1995-1998	Neon		2.0	L4	M103K	(2) M103K	MP109K	(2) MP109K
2003-2004	Neon SRT-4	142, 147	2.0, 2.4	L4	M103K	(2) M103K	MP109K	(2) MP109K
1960-1973	Polara	318, 360, 383	5.2, 5.8, 6.3	V8	M146K	MJS23K	MP136K	(2) MP119K
1960-1973	Polara	318, 360	6.5, 6.8, 7.2	V8	M146K	MJS23K	MP136K	(2) MP119K
1963-1971	Polara	225	3.7	L6	M146K	MJS23K	MP136K	(2) MP119K
DODGE TRUCKS & VANS								
1993-1996	Caravan		2.5, 3.0, 3.8	V6, L4	M123K	MJS23K	MP119K	(2) MP119K
1984-1992	Caravan		2.5, 2.6, 3.0, 3.3	V6, L4	M123K	M146K	MP119K	
1998-1999	Dakota	360	5.9	V8	M146K	MM12K	MP136K	MP162K
1992-1999	Dakota	318	5.2	V8	M146K	MM12K	MP136K	MP162K
1992-1996	Dakota	239	3.9	V6	M146K	MM12K	MP136K	MP162K
1991-1991	Dakota	318	5.2	V8	M146K	MM12K	MP136K	MP162K
1987-1991	Dakota	239	3.9	V6	M146K	MM12K	MP136K	MP162K
1998-1999	Durango	360	5.9	V8	M146K	MM12K	MP136K	MP162K
1998-1999	Durango	318	5.2	V8	M146K	MM12K	MP136K	MP162K
1998-1999	Durango	239	3.9	V6	M146K	MM12K	MP136K	MP162K
1994-2003	Pick-Ups, Ramcharger	360	5.9 Diesel	L6		MM22KX & MFA 125		

The information above has been compiled from industry guides with known sizes of fans recommended for vehicles listed and not necessarily from actual vehicle fit up.

MARADYNE® HP ELECTRIC FAN APPLICATION GUIDE

ALTERNATE

RANGE MODEL CUBIC INCHES LITERS ENG. AUX. PRIM. AUX. PRIM.

DODGE TRUCKS & VANS

1994-2001	Pick-Ups, Ramcharger	488	8.0	V10	MJS23K	MM22KX & MFA 125		
1994-2001	Pick-Ups, Ramcharger	360	5.9	V8	M146K	MM22KX & MFA 125	MP136K	
1994-2001	Pick-Ups, Ramcharger	318	5.2	V8	M146K	MM22KX & MFA 125	MP136K	
1994-2001	Pick-Ups, Ramcharger	Cummins Diesel	5.9	L6-T	M146K	MM22KX & MFA 125	MP136K	
1972-1993	Pick-Ups, Ramcharger	318, 360, 400	5.2, 5.9, 6.5	V8	M146K	MM12K	MP136K	MP162K
1992-1993	Pick-Ups, Ramcharger	360	5.9	V8	M146K	MM12K	MP136K	MP162K
1992-1993	Pick-Ups, Ramcharger	318, 360	5.9	V8	M146K	MM22KX & MFA 125	MP136K	
1972-1993	Pick-Ups, Ramcharger	318, 360	5.9	V8	M146K	MM12K	MP136K	MP162K
1991-1991	Pick-Ups, Ramcharger	318	5.2	V8	M146K	MM12K	MP136K	MP162K
1992-1996	Pick-Ups, Ramcharger	238	3.9	V6	M146K	MM12K	MP136K	MP162K
1986-1991	Pick-Ups, Ramcharger	238	3.9	V6	MJS13K	MM12K	MP119K	MP162K
1970-1987	Pick-Ups, Ramcharger	198, 225	3.2, 3.7	L6	MJS13K	MM12K	MP119K	MP162K
1988-1991	Pick-Ups, Ramcharger	238 w/ Std clutch	3.9	V6	MJS13K	MM12K	MP119K	MP162K
1973-1979	Pick-Ups, Ramcharger	440	7.2	V8	M146K	MM12K	MP136K	MP162K
1973-1979	Pick-Ups, Ramcharger	440 & 19" fan	7.2	V8	M146K	MM12K	MP136K	MP162K
1973-1979	Vans, Ramwagon,	400	6.5	V8	M146K	MM12K	MP136K	MP162K
1972-1991	Class C Motorhomes	318, 360, 400	5.2, 5.9, 6.5	V8	M146K	MM12K	MP136K	MP162K
1992-1993	all above	360 w/threaded clutch	5.9	V8	M146K	MM22KX & MFA 125	MP136K	
1972-1992	all above	318, 360	5.2, 5.9	V8	M146K	MJS23K	MP136K	(2) MP119K
1992-1996	all above	318 w/threaded clutch	5.2, 5.9	V8	M146K	MM22KX & MFA 125	MP136K	
1992-1996	all above	239 w/threaded clutch	3.9	V6	M146K	MJS23K	MP136K	(2) MP119K
1991-1991	all above	318 w/HD clutch	5.2	V8	M146K	MJS23K	MP136K	(2) MP119K
1986-2001	all above	238 w/20" fan	3.9	V6	M146K	MJS23K	MP136K	(2) MP119K
1986-1991	all above	238	3.9	V6	M146K	MJS23K	MP136K	(2) MP119K
1970-1987	all above	198,225	3.2, 3.7	L6	MJS13K	MM12K	MP119K	MP162K

DODGE IMPORT TRUCKS

1990-1993	Power Ram 50	184 (4WD)	3.0	V6	MJS13K	MM12K	MP119K	MP162K
1990-1994	Power Ram 50	147 (4WD)	2.4	L4	MJS13K	MM12K	MP119K	MP162K
1983-1989	Power Ram 50	156 (4WD)	2.6	L4	MJS13K	MM12K	MP119K	MP162K
1983-1984	Power Ram 50	121 (4WD)	2.0	L4	MJS13K	MM12K	MP119K	MP162K
1983-1989	Ram 50	156 (2WD)	2.6	L4	MJS13K	MM12K	MP119K	MP162K
1983-1994	Ram 50	121, 147 (2WD)	2.0, 2.4	L4	MJS13K	MM12K	MP119K	MP162K
1989-1989	Raider	184	3.0	V6	MJS13K	MM12K	MP119K	MP162K
1983-1989	Raider	156	2.6	L4	MJS13K	MM12K	MP119K	MP162K

FORD

1995-2002	Contour		2.0, 2.5	V6, L4	M103K	(2) M123K	MP109K	(2) MP119K
1963-1973	Custom, Fairlane,	400, 427, 428, 429	6.6, 7.0, 7.5	V8	MJS13K	MM12K	MP119K	MP162K
1963-1979	Galaxie, Ranchero	289, 302	4.7, 5.0	V8	MJS13K	MM12K	MP119K	MP162K
1963-1976	all above	200, 240	3.3, 3.9	L6	MJS13K	MM12K	MP119K	MP162K
1961-1979	all above	351, 390	5.8, 6.4	V8	MJS13K	MM12K	MP119K	MP162K
1991-2002	Escort		1.8, 1.9, 2.0	L4	M103K	MJS13K	MP109K	MP119K
1981-1991	Escort		1.6, 1.9, 2.0	L4	M103K	MJS13K	MP109K	MP119K
1978-1983	Fairmont	255, 302	4.2, 5.0	V8	MJS13K	MM12K	MP119K	MP162K
1980-1983	Fairmont	200	3.3	L6	MJS13K	MM12K	MP119K	MP162K
2000-2002	Focus		1.6, 2.0	L4	M103K	M123K	MP109K	MP119K
1975-1981	Granada	255, 302, 351	4.2, 5.0	V8	MJS13K	MM12K	MP119K	MP162K
1975-1982	Granada	200, 250	3.3, 5.1	L6	MJS13K	MM12K	MP119K	MP162K
1973-1977	LTD's & Crown Victoria	460	7.5	V8	M146K	MJS23K or MM12K	MP136K	MP162K
1967-1991	LTD's & Crown Victoria	255, 302, 351	4.2, 5.0, 5.8	V8	M146K	MJS23K or MM12K	MP136K	MP162K

The information above has been compiled from industry guides with known sizes of fans recommended for vehicles listed and not necessarily from actual vehicle fit up.

MARADYNE® HP ELECTRIC FAN APPLICATION GUIDE

ALTERNATE

RANGE	MODEL	CUBIC INCHES	LITERS	ENG.	AUX.	PRIM.	AUX.	PRIM.
FORD								
1967-1991	LTD's & Crown Victoria	390, 400, 427	6.4, 6.6, 7.0		M146K	MJS26K	MP136K	
1967-1970	LTD's & Crown Victoria	428, 429	7.0	V8	M146K	MJS23K or MM12K	MP136K	MP162K
1984-1986	LTD's & Crown Victoria	302	5.0	V8	MJS13K	MM12K	MP119K	MP162K
1992-2002	LTD's & Crown Victoria	282	4.6	V8	MJS13K	MM12K	MP119K	MP162K
1970-1977	Maverick	302	5.0	V8	MJS13K	MM12K	MP119K	MP162K
1971-1973	Mustang, Mustang II	351, 429	5.8, 7.0	V8	MJS13K	MM12K	MP119K	MP162K
1968-1980	Mustang, Mustang II	302	5.0	V8	MJS13K	MM12K	MP119K	MP162K
1980-1995	Mustang, Mustang II	302 w/HD clutch	5.0	V8	M123K	MM12K	MP119K	MP162K
1980-1995	Mustang, Mustang II	302	5.0	V8	M123K	MM12K	MP119K	MP162K
1996-2002	Mustang, Mustang II	281	4.6	V8	M123K	MM12K	MP119K	MP162K
1980-1982	Mustang, Mustang II	255	4.2	V8	MJS13K	MM12K	MP119K	MP162K
1965-1973	Mustang, Mustang II	200, 250	3.3, 4.1	L6	MJS13K	MJS13K	MP119K	MP119K
1979-1982	Mustang, Mustang II	200	3.3	L6	MJS13K	MM12K	MP119K	MP162K
1983-1996	Mustang, Mustang II	232 w/HD clutch	3.8	V6	M123K	MM12K	MP119K	MP162K
1970-1977	Mustang, Mustang II	170, 200, 250	2.8, 3.3, 4.1	L6	MJS13K	MM12K	MP119K	MP162K
1970-1970	Mustang, Mustang II	289, 351	4.7, 5.8	V8	MJS13K	MM12K	MP119K	MP162K
1983-1996	Mustang, Mustang II	232	3.8	V6	M123K	MM12K	MP119K	MP162K
1964-1970	Mustang, Mustang II	200, 289	3.3, 4.7	L6, V8	M123K	M162K or MM12K	MP119K	MP162K
1967-1973	Mustang, Mustang II	250	4.1	L6	M123K	M162K or MM12K	MP119K	MP162K
1967-1973	Mustang, Mustang II	351, 390, 429	5.8, 6.4, 7.0	V8	M123K	M162K or MM12K	MP119K	MP162K
1967-1993	Mustang, Mustang II	302	5.0	V8	M123K	M162K or MM12K	MP119K	MP162K
1979-1993	Mustang, Mustang II	140, 170, 200, 230, 255	2.3, 2.8, 3.3, 3.8, 4.2	L4, L6, V6, V8	M123K	M162K or MM12K	MP119K	MP162K
1975-1979	Pinto	170	2.8	V6	MJS13K	MM12K	MP119K	MP162K
1996-1999	Taurus		3.0, 3.4	V6, V8	M123K	MJS23K	MP119K	
1986-1995	Taurus		2.5, 3.0, 3.2, 3.8	L4, V6	M103K	M146K		MP136K
1961-1973	Thunderbird	390, 400, 428, 429	6.4, 6.6, 7.0	V8	MJS13K	MM12K	MP119K	MP162K
1972-1976	Thunderbird	460	7.5	V8	M146K	MJS23K or MM12K	MP136K	(2) MP119K
1977-1979	Thunderbird	351	5.8	V8	M146K	MJS23K or MM12K	MP136K	(2) MP119K
1989-1993	Thunderbird	302 w/threaded clutch	5.0	V8	MJS13K	MM12K	MP119K	MP162K
1977-1989	Thunderbird	302	5.0	V8	MJS13K	MM12K	MP119K	MP162K
1980-1982	Thunderbird	200, 255	3.3, 4.2	L6, V8	MJS13K	MM12K	MP119K	MP162K
1982-1994	Thunderbird	232	3.8	V6	MJS13K	MM12K	MP119K	MP162K
1975-1976	Torino	460	7.5	V8	M146K	MJS23K or MM12K	MP136K	MP162K
1968-1976	Torino	400, 427, 428, 429	6.6, 7.0	V8	M146K	MJS23K	MP136K	(2) MP119K
1969-1974	Torino	351, 390	5.8, 6.4	V8	M146K	MJS23K	MP136K	(2) MP119K
1968-1974	Torino	302	5.0	V8	M146K	MJS23K	MP136K	(2) MP119K
1968-1974	Torino	240, 250	3.9, 4.1	L6	MJS13K	MM12K	MP119K	MP162K

FORD TRUCKS & VANS

1990-1997	Aerostar	242	4.0	V6	MJS13K	MM12K	MP119K	MP162K
1995-1998	Aerostar	232	3.8	V6	MJS13K	MJS23K	MP119K	(2) MP119K
1986-1997	Aerostar	185	3.0	V6	MJS13K	MM12K	MP119K	MP162K
1986-1986	Aerostar	173	2.8	V6	MJS13K	MM12K	MP119K	MP162K
1986-1987	Aerostar	140	2.3	L4	MJS13K	MM12K	MP119K	MP162K
1994-2000	Windstar	183,232	3.0,3.8	V6	MJS13K	MJS23K or MM12K	MP119K	MP162K
1978-1986	Bronco	302	5.0, 5.8, 6.5	V8	M146K	MJS23K or MM12K	MP136K	MP162K
1970-1986	Bronco	351, 400	5.0, 5.8, 6.5	V8	M146K	MJS23K or MM12K	MP136K	MP162K
1988-1996	Bronco	302, 351	5.0, 5.8	V8	M146K	MJS23K or MM12K	MP136K	MP162K
1983-1987	Bronco	351	5.8	V8	M146K	MJS23K or MM12K	MP136K	MP162K

The information above has been compiled from industry guides with known sizes of fans recommended for vehicles listed and not necessarily from actual vehicle fit up.

MARADYNE® HP ELECTRIC FAN APPLICATION GUIDE

ALTERNATE

RANGE MODEL CUBIC INCHES LITERS ENG. AUX. PRIM. AUX. PRIM.

FORD TRUCKS & VANS

1970-1996	Bronco	302	5.0	V8	M146K	MJS23K or MM12K	MP136K	MP162K
1980-1996	Bronco	300	4.9	L6	M146K	MJS23K	MP136K	(2) MP119K
1973-1977	Bronco	200	3.3	L6	M146K	MJS23K	MP136K	(2) MP119K
1966-1972	Bronco	173	2.8	L6	M146K	MJS23K	MP136K	(2) MP119K
1966-1977	Bronco	289, 302	4.7, 5.0	V8	M146K	MJS23K or MM12K	MP136K	MP162K
1978-1979	Bronco	302, 351	5.0, 5.8	V8	M146K	MJS23K or MM12K	MP136K	MP162K
1983-1990	Bronco II	173, 177	2.8, 2.9	V6	MJS13K	MM12K	MP119K	MP162K
1985-1987	Bronco II	140	2.3	L4	MJS13K	MM12K	MP119K	MP162K
1997-2005	Expedition	281, 329	4.6, 5.4	V8	M146K	MJS23K	MP136K	
1991-1994	Explorer	246	4.0	V6	M123K	MM12K	MP119K	MP162K
1997-2006	F100 -350 Series	281, 329	4.6, 5.4	V8	M146K	MM22KX & MFA121	MP136K	
1997-2006	Full Size Trucks	256	4.2	V6	M146K	MM22KX & MFA121	MP136K	
1998-2003	Including Lightning & 4 WD Only		7.3 Diesel			MM22KX		
1999-2002	Harley Davidson	418	6.8	V10		MM22KX		
1973-1997	all above	460	7.5	V8	M146K	MM22KX	MP136K	
1994-2000	all above	448 D.I.T. Diesel	7.3	V8		MM22KX		
1983-1997	all above	421, 448 Diesel	6.9, 7.3	V8	M146K		MP136K	
1969-1986	all above	302, 400	5.0, 6.6	V8	M146K	MM12K	MP136K	MP162K
1965-1976	all above	352, 360, 390	5.8, 5.9, 6.3	V8	M146K	MJS23K or MM12K	MP136K	MP162K
1965-1987	all above	302, 351, 352, 360, 390	5.9, 6.3	V8	M146K	MJS23K or MM12K	MP136K	MP162K
1987-1996	all above	302, 351	5.0, 5.8	V8	M146K	MJS23K or MM12K	MP136K	
1988-1997	all above	282, 302, 350	5.0, 5.8	V8	M146K	MJS23K	MP136K	(2) MP119K
1997-2006	all above	332 Not SuperDuty	5.4	V8		MM22KX		
1987-1992	all above	300	4.9	L6	M146K	MJS23K	MP136K	(2) MP119K
1983-1986	all above	300	4.9	L6	M146K	MJS23K	MP136K	(2) MP119K
1982-1983	all above	300	4.9	L6	M146K	MJS23K	MP136K	(2) MP119K
1960-1982	all above	223, 240, 255, 300	3.6, 3.9, 4.2, 4.9	L6	M146K	MJS23K	MP136K	(2) MP119K
1997-1999	all above	282	4.6	V8	M146K	MM22KX	MP136K	
1997-1999	all above	256	4.2	V6	M146K	MM22KX	MP136K	
1965-1982	all above	255	4.2	V8	M146K	MJS23K	MP136K	(2) MP119K
1965-1982	all above	223, 240	3.6, 3.9	L6	M146K	MJS23K	MP136K	(2) MP119K
1982-1983	all above	230	3.8	L6	M146K	MJS23K	MP136K	(2) MP119K

FORD MINI PICK-UPS

1977-1982	Courier	140	2.3	L4	MJS13K	MJS13K	MP119K	MP119K
1983-1988	Courier	122	2.0	L4	MJS13K	MJS13K	MP119K	MP119K
1973-1982	Courier	MJS13K	1.8	L4	MJS13K	MJS13K	MP119K	MP119K
1990-2002	Ranger	246	4.0	V6	MJS13K	MM12K	MP119K	MP162K
1991-2002	Ranger	181	3.0	V6	MJS13K	MM12K	MP119K	MP162K
1983-1994	Ranger	137, 177	2.8, 2.9	V6	MJS13K	MM12K	MP119K	MP162K
1983-2002	Ranger	140	2.3	L4	MJS13K	MM12K	MP119K	MP162K
1998-2002	Ranger	154	2.5	L4	MJS13K	MM12K	MP119K	MP162K
1983-1997	Ranger	122	2.0	L4	MJS13K	MM12K	MP119K	MP162K
1985-1987	Ranger	140 Diesel	2.3	L4	MJS13K	MM12K	MP119K	MP162K
1983-1984	Ranger	135 Diesel	2.2	L4	MJS13K	MM12K	MP119K	MP162K

FORD FULL SIZE VANS

1976-1997	Full size vans E,	351, 400, 460	5.5, 6.6, 7.5	V8	MJS13K	MJS23K	MP119K	(2) MP119K
1976-1997	100-350 Econoline	302	5.0	V8	M146K	MJS23K	MP136K	(2) MP119K
1984-1996	all above	421, 448 Diesel	6.9, 7.3	V8	MJS13K		MP119K	

The information above has been compiled from industry guides with known sizes of fans recommended for vehicles listed and not necessarily from actual vehicle fit up.

MARADYNE® HP ELECTRIC FAN APPLICATION GUIDE

ALTERNATE

RANGE	MODEL	CUBIC INCHES	LITERS	ENG.	AUX.	PRIM.	AUX.	PRIM.
FORD FULL SIZE VANS								
1980-1983	all above	400	6.6	V8	MJS13K	MJS23K	MP119K	(2) MP119K
1987-1996	all above	351	5.8	V8	M146K	MJS23K	MP136K	(2) MP119K
1987-1992	all above	302	5.0	V8	M146K	MJS23K	MP136K	(2) MP119K
1973-1997	all above	300	4.9	L6	M146K	MJS23K	MP136K	(2) MP119K
1967-1974	all above	173, 240	2.8, 3.9	L6	M146K	MJS23K	MP136K	(2) MP119K
1970-1993	Motorhomes, Class A	460	7.5	V8	M146K	MM22KX	MP136K	
HONDA								
1998-2000	Accord		2.3, 3.0	L4, V6	M146K	(2) M123K	MP136K	(2) MP119K
1994-1997	Accord		2.2	L4	M123K	(2) M123K	MP119K	(2) MP119K
1990-1993	Accord		2.2	L4	M123K	(2) M123K	MP119K	(2) MP119K
1986-1989	Accord		2.0	L4	M123K	(2) M123K	MP119K	(2) MP119K
1992-2000	Civic		1.5, 1.6	L4	M123K	MJS13K & MFA106	MP119K	MP119K
1988-1991	Civic		1.5, 1.6	L4	M123K	(2) M123K	MP119K	(2) MP119K
1985-1987	Civic		1.3, 1.5	L4	M123K	(2) M123K	MP119K	(2) MP119K
1981-1991	Civic CRX		1.5	L4	M123K	(2) M123K	MP119K	(2) MP119K
1981-1987	Civic CRX		1.3	L4	M123K	(2) M123K	MP119K	(2) MP119K
2002-2002	CRV				M123K	MJS23K	MP119K	(2) MP119K
1997-2000	CRV		2.0	L4	M123K	(2) M123K	MP119K	(2) MP119K
1992-1997	Del Sol		1.5, 1.6	L4	M123K	MJS13K & MFA106	MP119K	MP119K
1995-1997	Odyssey		2.2	L4	M166K	MJS23K	MP166K	(2) MP119K
1994-1998	Passport		3.2	V6	M166K	MJS23K	MP166K	(2) MP119K
1994-1996	Passport		2.6	L4	M166K	MM12K	MP166K	MP162K
2003-2003	Pilot		3.5	V6	M166K	MJS23K	MP166K	(2) MP119K
1992-1998	Prelude		2.2	L4	M123K	(2) M123K	MP119K	(2) MP119K
1992-1996	Prelude		2.3	L4	M123K	(2) M123K	MP119K	(2) MP119K
1988-1991	Prelude		2.0	L4	M123K	(2) M123K	MP119K	(2) MP119K
HUMMER								
2002-2006	H2		6.0	V8		MM22KX & MFA125		
1992-1996	Hummer Diesel			V8	M123K	MJS23K	MP119K	(2) MP119K
1992-1996	Hummer Fuel injected		6.5	V8	M123K	MJS23K	MP119K	(2) MP119K
HYUNDAI								
1995-2004	Accent		1.5, 1.6	L4	M113K	(2) M113K		
1993-1995	Elantra		1.6, 1.8	L4	M123K	(2) M123K	MP119K	(2) MP119K
1990-1994	Excel		1.5	L4	M123K	(2) M123K	MP119K	(2) MP119K
1986-1989	Excel		1.5	L4	M123K	M123K	MP119K	MP119K
1991-1994	Scoupe		1.5	L4	M123K	(2) M123K	MP119K	(2) MP119K
1989-1994	Sonata		2.0, 3.0	L4, V6	M146K	MJS23K	MP136K	(2) MP119K
2002-2003	Sante Fe, Tiburon		2.7	V6	M146K	MJS23K	MP136K	(2) MP119K
1997-1998	Tiburon		1.8	L4	M123K	M123K	MP119K	MP119K
INFINITI								
1991-1996	G20		2.0	L4	M123K	(2) M123K	MP119K	(2) MP119K
1995-1997	I30		3.0	V6	M146K	MJS23K	MP136K	(2) MP119K
2000-2004	I35		3.5	V6	M146K	MJS23K	MP136K	(2) MP119K
1990-1992	M30		3.0	V6	M146K	MM12K	MP136K	MP162K
1990-1991	Q45		4.5	V6	M146K	MM12K	MP136K	MP162K
INFINITI								
1997-2001	Q45		4.1	V6	M146K	MJS23K	MP136K	(2) MP119K
1997-2000	QX4		3.3	V6	M166K	MJS23K	MP166K	(2) MP119K
2001-2003	QX4		3.5	V6	M166K	MJS23K	MP166K	(2) MP119K

The information above has been compiled from industry guides with known sizes of fans recommended for vehicles listed and not necessarily from actual vehicle fit up.

MARADYNE® HP ELECTRIC FAN APPLICATION GUIDE

ALTERNATE

RANGE MODEL CUBIC INCHES LITERS ENG. AUX. PRIM. AUX. PRIM.

INTERNATIONAL

1960-1980	Pick-Up, Scout,	304, 345	5.0, 5.7	V8	MJS13K	MM12K	MP119K	MP162K
1960-1980	Travelall	232, 258	3.8, 4.2	L6	MJS13K	MM12K	MP119K	MP162K

ISUZU

1994-1994	Amigo		2.6	L4	M166K	MM12K	MP166K	MP162K
1989-1993	Amigo		2.3	L4	M146K	MM12K	MP136K	MP162K
1990-1993	Amigo		2.6	L4	M146K	MM12K	MP136K	MP162K
2003-2004	Ascender		4.2	L6	M123K	(2) M123K	MP119K	(2) MP119K
2003-2004	Ascender		5.3	V8	M123K	(2) M123K	MP119K	(2) MP119K
2003-2003	Axiom		3.5	V6	M123K	MJS23K	MP119K	(2) MP119K
1996-1997	Hombre		2.2	L4	M146K	MM12K	MP136K	MP162K
1985-1989	I-Mark		1.5	L4	M123K	M123K	MP119K	MP119K
1990-1992	Impulse		1.6, 1.8	L4	M123K	MM12K		MP162K
1993-1994	Pickup		2.3, 2.6, 3.1	L4, V6	M166K	MM12K	MP166K	MP162K
1991-1992	Pickup		2.3, 2.6, 3.1	L4, V6	M166K	MM12K	MP166K	MP162K
1990-1990	Pickup		2.3, 2.6	L4, V6	M166K	MM12K	MP166K	MP162K
1988-1989	Pickup		2.3, 2.6	L4	M146K	MM12K	MP136K	MP162K
1984-1987	Pickup		2.2	L4	M146K	MM12K	MP136K	MP162K
1982-1983	Pickup		1.8	L4	M146K	MM12K	MP136K	MP162K
1991-1993	Stylus		1.6	L4	M123K	(2) M123K	MP119K	(2) MP119K
1991-1997	Rodeo		2.6, 3.2	L4, V6	M166K	MM12K	MP166K	MP162K
1986-1997	Trooper		2.3, 2.6, 3.1, 3.2	L4, V6	M166K	MM12K	MP166K	MP162K

JAGUAR

1971-1973		258	4.2	L6	M146K	M146K	MP136K	MP136K
1982-1987	XJ6	258	4.2	L6	M146K	MJS23K	MP136K	(2) MP119K
JEEP								
1994-1998	Cherokee & Grand Cherokee	318, 360	5.2, 5.9	V8	M166K	MM12K	MP166K	MP162K
1972-1994	Cherokee & Grand Cherokee	304, 360, 401	5.9, 6.6	V8	M166K	MM12K	MP166K	MP162K
1974-1995	Wagoneer & Grand Wagoneer	232, 258	3.8, 4.2	L6	MJS13K	M166K	MP119K	MP166K
1981-1999	CJ's, Comanche,	246	4.0	L6	MJS13K	M166K	MP119K	MP166K
1984-1986	J-series truck	173	2.8	V6	M103K	(2) M103K	MP109K	(2) MP109K
1980-1993	J-series truck	151	2.5	L4	MJS13K	MM12K	MP119K	MP162K
1984-1994	J-series truck	151	2.5	L4	MJS13K	MM12K	MP119K	MP162K
1976-1986	CJ-7, CJ-8	304	5.0	V8	M166K	MM12K	MP166K	MP162K
1976-1986	CJ-7, CJ-8	258	4.2	L6	MJS13K	M166K	MP119K	MP166K
1991-2002	Wrangler	242, 258	4.0, 4.2	L6	MJS13K	MM12K	MP119K	MP162K
1991-2001	Wrangler	151	2.5	L4	MJS13K	MM12K	MP119K	MP162K
1987-1990	Wrangler	258	4.2	L6	MJS13K	MM12K	MP119K	MP162K
1987-1990	Wrangler	258	4.2	L6	MJS13K	MM12K	MP119K	MP162K
1987-1990	Wrangler	242	4.0	L6	MJS13K	MM12K	MP119K	MP162K
1987-1990	Wrangler	151	2.5	L4	MJS13K	MM12K	MP119K	MP162K

KIA

2001-2005	Optima		2.4	L4	M123K	MJS23K	MP119K	(2) MP119K
1999-2005	Sonata		2.5, 2.7	V6	M123K	MJS23K	MP119K	(2) MP119K
2001-2002	Rio, Sorento		1.5	L4	M103K	(2) M123K	MP109K	(2) MP119K
2002-2002	Spectra		1.8	L4	M103K	(2) M123K	MP109K	(2) MP119K
2002-2002	Sportage		2.0	L4	M123K	M166K	MP119K	

LEXUS

1990-1994	LS400		4.0	V8	M146K	MJS23K	MP136K	(2) MP119K
1991-2000	SC300, SC400		3.0, 4.0	I6, V8	M123K	MJS23K	MP119K	(2) MP119K

The information above has been compiled from industry guides with known sizes of fans recommended for vehicles listed and not necessarily from actual vehicle fit up.

MARADYNE® HP ELECTRIC FAN APPLICATION GUIDE

ALTERNATE

RANGE	MODEL	CUBIC INCHES	LITERS	ENG.	AUX.	PRIM.	AUX.	PRIM.
LEXUS								
1999-2002	IS300		3.2	I6		MJS23K		(2) MP119K
1996-1997	LX450		4.5	I6	M146K	MJS23K	MP136K	(2) MP119K
1998-2001	LX470		4.7	V8	M146K	MJS23K	MP136K	(2) MP119K
1999-2002	RX300			V6	M123K	MJS23K	MP119K	(2) MP119K
LINCOLN								
2001-2002	Blackwood	329	5.4	V8	M146K	MM22KX	MP136K	
1968-1980	Continental	351, 400, 460	5.8, 6.6, 7.5	V8	M146K	MJS23K or MM12K	MP136K	MP162K
1985-1987	Continental	302	5.0	V8	MJS13K	MM12K	MP119K	MP162K
1980-1984	Continental	302	5.0	V8	MJS13K	MM12K	MP119K	MP162K
1980-1982	Continental	232	3.8	V6	M146K	MJS23K	MP136K	(2) MP119K
1971-1980	Mark III, IV,	351, 400, 460	5.8, 6.6, 7.5	V8	M146K	MJS23K or MM12K	MP136K	
1985-1992	V, VI, VII, VIII	302	5.0	V8	MJS13K	MM12K	MP119K	MP162K
1980-1984	all above	302	5.0	V8	M146K	MJS23K	MP136K	(2) MP119K
1993-1997	all above	282	4.6	V8	MJS13K	MM12K	MP119K	MP162K
1998-2002	Navigator	329	5.4	V8	MJS13K	MM22KX	MP119K	
1980-1990	Town Car	302	5.0	V8	M146K	MJS23K	MP136K	(2) MP119K
1991-1997	Town Car	282	4.6	V8	M146K	MJS23K	MP136K	(2) MP119K
1977-1980	Versailles	302, 351	5.0, 5.8	V8	MJS13K	MM12K	MP119K	MP162K
MAZDA								
1986-1994	323		1.6	L4	M123K	(2) M123K	MP119K	(2) MP119K
1993-1997	626		2.0, 2.5	L4, V6	M123K	(2) M123K	MP119K	(2) MP119K
1988-1992	626		2.2	L4	M146K	(2) M123K	MP136K	(2) MP119K
1979-1987	626		2.0	L4	M123K	MJS13K	MP119K	MP119K
1992-1995	929		3.0	V6	M146K	MJS23K	MP136K	(2) MP119K
1988-1991	929		3.0	V6	M146K	MM12K	MP136K	MP162K
1990-2005	Miata		1.6	L4	M123K	(2) M123K	MP119K	(2) MP119K
1988-1997	MX-6		2.0, 2.5	L4, V6	M123K	(2) M123K	MP119K	(2) MP119K
1990-1998	Protégé, Protégé 5		1.5, 1.8	L4	M123K	(2) M123K	MP119K	(2) MP119K
1983-1992	RX-7		1.1, 1.2, 1.3	RO	M166K	MM12K	MP166K	MP162K
1979-1982	RX-7		1.1	RO	M103K	(2) M103K	MP119K	(2) MP119K
1986-1987	B2000 Pickup		2.0	L4	M123K	MJS13K	MP119K	MP119K
1979-1985	B2000 Pickup		2.0	L4	M123K	M123K	MP119K	MP119K
1987-1993	B2200 Pickup		2.2	L4	M146K	MJS13K	MP136K	MP119K
1994-1997	B2300 Pickup		2.3	L4	M166K	MM12K	MP166K	MP162K
1998-1999	B2500 Pickup		2.5	L4	M166K	MM12K	MP166K	MP162K
1987-1993	B2600 Pickup		2.6	L4	M146K	(2) M123K	MP136K	(2) MP119K
1994-1999	B3000 Pickup		3.0, 4.0	V6	M166K	MM12K	MP166K	MP162K
1998-2002	B4000 Pickup		4.0	V6	M166K	MM12K	MP166K	MP162K
1994-1997	B4000 Pickup		4.0	V6	M166K	MM12K	MP166K	MP162K
1989-1995	MPV Van		2.6, 3.0	L4, V6	M166K	MM12K	MP166K	MP162K
1991-1994	Navajo		4.0	V6	M166K	MM12K	MP166K	MP162K
MERCEDES-BENZ								
1976-1978	230		2.3	L6	M146K	MM12K	MP136K	MP162K
1976-1983	240 D		2.4	L4	M146K	MM12K	MP136K	MP162K
1987-1989	260 E		2.6	L6	M166K	MM12K	MP166K	MP162K
1976-1981	280 CE		2.7	L6	M166K	MM12K	MP166K	MP162K
1976-1981	280 E		2.7	L6	M166K	MM12K	MP166K	MP162K
1977-1981	300 CD		3.0	L5	M166K	MM12K	MP166K	MP162K
1988-1992	300 CE		3.0	L6	M166K	MM12K	MP166K	MP162K

The information above has been compiled from industry guides with known sizes of fans recommended for vehicles listed and not necessarily from actual vehicle fit up.

MARADYNE® HP ELECTRIC FAN APPLICATION GUIDE

ALTERNATE

RANGE MODEL CUBIC INCHES LITERS ENG. AUX. PRIM. AUX. PRIM.

MERCEDES-BENZ

1976-1993	300 D		2.5, 2.6, 3.0	L5, L6	M166K	MM12K	MP166K	MP162K
1986-1992	300 E		2.6, 3.0	L6	M166K	MM12K	MP166K	MP162K
1988-1991	300 SE		3.0	L6	M166K	MM12K	MP166K	MP162K
1988-1991	300 SEL		3.0	L6	M166K	MM12K	MP166K	MP162K
1979-1981	300 TD		3.0	L6	M166K	MM12K	MP166K	MP162K
1988-1992	300 TE		3.0	L6	M166K	MM12K	MP166K	MP162K
1994-1995	E320		3.2	L6	M166K	MM12K	MP166K	MP162K

MERCURY

1980-1986	Bobcat, Capri	255, 305	4.2, 5.0	V8	MJS13K	MM12K	MP119K	MP162K
1980-1986	Bobcat, Capri	302	5.0	V8	MJS13K	MM12K	MP119K	MP162K
1979-1980	Bobcat, Capri	302	5.0	V8	MJS13K	MM12K	MP119K	MP162K
1983-1986	Bobcat, Capri	232	3.8	V6	MJS13K	MM12K	MP119K	MP162K
1980-1982	Bobcat, Capri	200	3.3	L6	MJS13K	MM12K	MP119K	MP162K
1973-1979	Bobcat, Capri	159, 269	2.6, 2.8	V6	MJS13K	MM12K	MP119K	MP162K
1964-1977	Comet	289, 302	4.7, 5.0	V8	MJS13K	MM12K	MP119K	MP162K
1969-1977	Comet	250	4.1	L6	MJS13K	MM12K	MP119K	MP162K
1964-1968	Comet	200	3.3	L6	MJS13K	MM12K	MP119K	MP162K
1974-1976	Comet	460	7.5	V8	M146K	MJS23K	MP136K	(2) MP119K
1998-2002	Cougar-FWD		2.5	V6	M123K	(2) M123K	MP119K	(2) MP119K
1968-1978	Cougar, XR7	400, 427, 428, 429	6.6, 7.0	V8	M146K	MJS23K or MM12K	MP136K	MP162K
1967-1979	Cougar, XR7	302, 351, 390	5.0, 5.8, 6.4	V8	M146K	MJS23K or MM12K	MP136K	MP162K
1986-1990	Cougar, XR7	302	5.0	V8	MJS13K	MM12K	MP119K	MP162K
1967-1980	Cougar, XR7	255, 289	4.2, 4.7	V8	MJS13K	MM12K	MP119K	MP162K
1994-1997	Cougar, XR7	232	3.8	V6	MJS13K	MM12K	MP119K	MP162K
1982-1986	Cougar, XR7	232	3.8	V6	MJS13K	MM12K	MP119K	MP162K
1980-1982	Cougar, XR7	200	3.3	L6	MJS13K	MM12K	MP119K	MP162K
1968-1971	Cougar, XR7	427, 428, 429	7.0	V8	M146K	MJS23K	MP136K	(2) MP119K
1968-1971	Cyclone	351, 390	5.8, 6.4	V8	M146K	MJS23K	MP136K	(2) MP119K
1968-1969	Cyclone	302	5.0	V8	M146K	MJS23K	MP136K	(2) MP119K
1974-1976	Cyclone	460	7.5	V8	M146K	MJS23K or MM12K	MP136K	MP162K
1968-1976	Marauder, Montego	400, 427, 428, 429	6.6, 7.0	V8	M146K	MJS23K or MM12K	MP136K	MP162K
1967-1973	Marauder, Montego	351, 390	5.8, 6.4	V8	M146K	MJS23K or MM12K	MP136K	MP162K
1972-1978	Marauder, Montego	460	7.5	V8	M146K	MJS23K or MM12K	MP136K	MP162K
1968-1984	Marquis, Grand Marquis	351, 400, 428, 429	5.8, 6.6, 7.0	V8	M146K	MJS23K or MM12K	MP136K	MP162K
1968-1991	Marquis, Grand Marquis	255, 302, 390	5.0, 6.4	V8	MJS13K	MM12K	MP119K	MP162K
1984-1986	Marquis, Grand Marquis	302	5.0	V8	MJS13K	MM12K	MP119K	MP162K
1992-1997	Marquis, Grand Marquis	282	4.6	V8	M146K	MJS23K or MM12K	MP136K	MP162K
1982-1986	Marquis, Grand Marquis	232	3.8	V6	MJS13K	MM12K	MP119K	MP162K
1980-1983	Marquis, Grand Marquis	200	3.3	L6	MJS13K	MM12K	MP119K	MP162K
1975-1982	Monarch	255, 351	4.2, 5.8	V8	MJS13K	MM12K	MP119K	MP162K
1975-1980	Monarch	302	5.0	V8	MJS13K	MM12K	MP119K	MP162K
1975-1980	Monarch	250	4.1	L6	MJS13K	MM12K	MP119K	MP162K
1975-1977	Monarch	200	3.3	L6	MJS13K	MM12K	MP119K	MP162K
1972-1974	Monterey, Montclair	460	7.5	V8	MJS13K	MM12K	MP119K	MP162K
1994-1999	Mystique		2.0, 2.5	V6, L4	M103K	(2)M123K	MP109K	(2) MP119K
1963-1974	Parklane, Zephyr	400, 427, 428, 429	6.6, 7.0	V8	MJS13K	MM12K	MP119K	MP162K
1961-1982	Parklane, Zephyr	255, 302, 351, 390	4.2, 5.0, 5.8, 6.4	V8	MJS13K	MM12K	MP119K	MP162K
1978-1983	Parklane, Zephyr	200	3.3	L6	MJS13K	MM12K	MP119K	MP162K
1996-1999	Mountaineer	305	5.0	V8	MJS13K	MM12K	MP119K	MP162K

The information above has been compiled from industry guides with known sizes of fans recommended for vehicles listed and not necessarily from actual vehicle fit up.

MARADYNE® HP ELECTRIC FAN APPLICATION GUIDE

ALTERNATE

RANGE	MODEL	CUBIC INCHES	LITERS	ENG.	AUX.	PRIM.	AUX.	PRIM.
MERCURY								
1998-1999	Mountaineer	246	4.0	V6	MJS13K	MM12K	MP119K	MP162K
MITSUBISHI								
1991-1997	3000GT		3.0	V6	M146K	(2) M123K	MP136K	(2) MP119K
1983-1986	Cordia		1.8, 2.0	L4	M123K	MJS13K	MP119K	MP119K
1992-2004	Diamante		3.0, 3.5	V6	M146K	MJS23K	MP136K	(2) MP119K
1995-1999	Eclipse w/turbo		2.0	L4	M123K	MJS23K	MP119K	(2) MP119K
2000-2002	Eclipse		3.0	V6	M123K	(2) M123K	MP119K	(2) MP119K
1999-2002	Eclipse		2.4	L4	M123K	(2) M123K	MP119K	(2) MP119K
1995-1999	Eclipse		2.0	L4	M123K	(2) M123K	MP119K	(2) MP119K
1990-1994	Eclipse		1.8, 2.0	L4	M123K	(2) M123K	MP119K	(2) MP119K
1999-2002	Galant		3.0	V6	M146K	MJS23K	MP136K	(2) MP119K
1999-2002	Galant		2.4	L4	M146K	MJS23K	MP136K	(2) MP119K
1994-1998	Galant		2.4	L4	M146K	MJS13K	MP136K	(2) MP119K
1989-1993	Galant		2.0	L4	M146K	MJS13K	MP136K	(2) MP119K
1996-2002	Mirage		1.5, 1.8, 2.0	L4	M146K	MJS23K	MP136K	(2) MP119K
1989-1996	Mirage		1.5, 1.8	L4	M146K	MJS23K	MP136K	(2) MP119K
1985-1988	Mirage		1.5, 1.6	L4	M123K	M123K	MP119K	MP119K
1994-1994	Precis		1.5	L4	M123K	MJS13K	MP119K	MP119K
1987-1989	Precis		1.5	L4	M123K	M123K	MP119K	MP119K
1983-1986	Tredia		1.8, 2.0	L4	M123K	MJS13K	MP119K	MP119K
1983-1989	Might Max Pickup		2.0, 2.6	L4	M123K	MJS13K	MP119K	MP119K
1983-1988	Montero		2.6	L4	M166K	M166K	MP166K	MP166K
NISSAN								
1995-1998	200SX		2.0, 2.6	L4	M123K	(2) M123K	MP119K	(2) MP119K
1984-1986	200SX		2.0	L4	M123K	MJS13K	MP119K	MP119K
1989-1998	240SX		2.4	L4	M123K	(2) M123K	MP119K	(2) MP119K
1979-1983	280Z		2.8	L6	M166K	MM12K	MP166K	MP162K
1979-1983	280ZX		2.8	L6	M166K	MM12K	MP166K	MP162K
1990-1996	300ZX		3.0	V6	M146K	MJS23K	MP136K	(2) MP119K
1984-1989	300ZX		3.0	V6	M166K	MJS23K	MP166K	(2) MP119K
2002-2002	Altima		3.5	V6	M123K	MJS23K	MP119K	(2) MP119K
2002-2002	Altima		2.5	L4	M123K	MJS23K	MP119K	(2) MP119K
1993-2001	Altima		2.4	L4	M146K	MJS23K	MP136K	(2) MP119K
1995-2002	Maxima		3.0, 3.5	V6	M146K	MJS23K	MP136K	(2) MP119K
1989-1994	Maxima		3.0	V6	M146K	MJS23K	MP136K	(2) MP119K
1985-1988	Maxima		3.0	V6	M166K	MM12K	MP166K	MP162K
1977-1984	Maxima		2.4	L6	M166K	MM12K	MP166K	MP162K
1991-1994	NX 1600		1.6	L4	M123K	M123K	MP119K	MP119K
1991-1994	NX 2000		2.0	L4	M123K	M123K	MP119K	MP119K
1985-1990	Pulsar/NX		1.6	L4	M123K	MJS13K	MP119K	MP119K
1989-2006	Sentra		1.6, 1.8, 2.0, 2.5	L4	M123K	MJS13K	MP119K	MP119K
1983-1988	Sentra		1.6, 2.0	L4	M123K	MJS13K	MP119K	MP119K
1982-1992	Stanza		2.4	L4	M123K	MJS13K	MP119K	MP119K
2000-2002	Frontier- Truck		3.3	V6	M146K	MJS23K	MP136K	(2) MP119K
1998-2002	Frontier- Truck		2.4	L4	M146K	MJS23K	MP136K	(2) MP119K
1986-1996	Hardbody Pickup		2.4, 3.0	L4, V6	M166K	MM12K	MP166K	MP162K
1990-1998	Hardbody Pickup		2.2, 2.4	L4	M123K	(2) M123K	MP119K	(2) MP119K
1987-1995	Pathfinder		2.4, 3.0	L4, V6	M146K	MJS23K	MP136K	(2) MP119K
1993-1998	Quest		3.0	V6	M146K	MM12K	MP136K	MP162K

The information above has been compiled from industry guides with known sizes of fans recommended for vehicles listed and not necessarily from actual vehicle fit up.

MARADYNE® HP ELECTRIC FAN APPLICATION GUIDE

ALTERNATE

RANGE MODEL CUBIC INCHES LITERS ENG. AUX. PRIM. AUX. PRIM.

NISSAN

1999-2002	Xterra		3.3	V6	M146K	MJS23K	MP136K	(2) MP119K
1998-2003	Xterra		2.4	L4	M146K	MJS23K	MP136K	(2) MP119K

OLDSMOBILE

1991-1999	Bravada	262	4.3	V6	MJS13K	MJS23K	MP119K	(2) MP119K
1968-1990	Custom Cruiser, Delta 88	260, 305, 307	5.0, 5.7, 6.6, 7.5	V8	M146K	MJS23K	MP136K	(2) MP119K
1968-1990	Custom Cruiser, Delta 88	350, 400, 403, 455	5.0, 5.7, 6.6, 7.5	V8	M146K	MJS23K	MP136K	(2) MP119K
1977-1985	Cutlass Supreme, 442	267, 301, 305, 350	4.3, 4.4, 5.0, 5.7	V8	M146K	MJS23K	MP136K	(2) MP119K
1991-1992	Cutlass Supreme, 442	305, 350	5.0, 5.7	V8	M146K	MJS23K	MP136K	(2) MP119K
1979-1985	Cutlass Supreme, 442	231, 252	3.8, 4.1	V6	M146K	MJS23K	MP136K	(2) MP119K
1979-1985	Cutlass Supreme, 442	231 w/o AC	3.8	V6	MJS13K	MM12K	MP119K	MP162K
1984-1977	Cutlass Supreme, 442	307, 350	5.0, 5.7 w/HD clutch	V8	M146K	MJS23K	MP136K	(2) MP119K
1981-1983	Cutlass Supreme, 442	252	4.1	V6	MJS13K	MM12K	MP119K	MP162K
1965-1987	Cutlass Supreme, 442	250, 307	5.7, 6.6, 7.5	V8	M146K	MJS23K	MP136K	(2) MP119K
1965-1987	Cutlass Supreme, 442	350, 400, 403, 455	4.3, 5.0	V8	M146K	MJS23K	MP136K	(2) MP119K
1980-1988	Cutlass Supreme, 442	305, 307, 350	4.4, 5.0, 5.7	V8	M146K	MJS23K	MP136K	(2) MP119K
1987-1989	Cutlass Supreme, 442	231	3.8	V6	MJS13K	MM12K	MP119K	MP162K
1968-1985	Omega, Starfire	307, 350, 403, 425	5.7, 6.6, 7.5, 5.0	V8	M146K	MJS23K	MP136K	(2) MP119K
1979-1985	Omega, Starfire	305	5.0	V8	MJS13K	MM12K	MP119K	MP162K
1981-1984	Omega, Starfire	231	3.8	V6	MJS13K	MM12K	MP119K	MP162K

PLYMOUTH

1960-1976	Barracuda, Belvedere, Savoy, Duster, Valiant	318, 440 w/HD	5.2, 7.2	V8	M146K	MJS23K or MM12K	MP136K	MP162K
1960-1973	Barracuda, Belvedere, Savoy, Duster, Valiant	340, 383, 440 w/HD	5.6, 6.3, 7.2	V8	M146K	MJS23K	MP136K	(2) MP119K
1960-1974	Barracuda, Belvedere, Savoy, Duster, Valiant	318, 340, 383, 440	5.2, 5.6, 6.3, 7.2	V8	M146K	MJS23K	MP136K	(2) MP119K
1960-1976	Barracuda, Belvedere, Savoy, Duster, Valiant	198, 255	3.2, 3.7	L6	MJS13K	MM12K	MP119K	MP162K
2000-2002	Neon		2.0	L4	M103K	(2) M103K	MP109K	(2) MP109K
1995-1988	Neon		2.0	L4	M103K	(2) M103K	MP109K	(2) MP109K
1960-1989	Fury,GTX, VIP, Satellite	318, 360,440	5.2, 5.9, 7.2	V8	M146K	MJS23K or MM12K	MP136K	MP162K
1960-1977	Fury,GTX, VIP, Satellite	383, 440 w/HD	6.3, 7.2	V8	M146K	MJS23K or MM12K	MP136K	MP162K
1960-1989	Fury,GTX, VIP, Satellite	318, 383, 440 w/18" fan	5.2, 6.3, 7.2	V8	M146K	MJS23K or MM12K	MP136K	MP162K
1960-1989	Fury,GTX, VIP, Satellite	360	5.9	V8	M146K	MJS23K or MM12K	MP136K	MP162K
1960-1989	Fury,GTX, VIP, Satellite	225	3.7	L6	MJS13K	MM12K		MP162K

PLYMOUTH TRUCKS

1982-1982	Arrow	156	2.6	L4	MJS13K	MJS13K	MP119K	MP119K
1982-1982	4 x 4's, Trailduster,	121	2.0	L4	MJS13K	MJS13K	MP119K	MP119K
1973-1979	PW 100-150 series	440	7.2	V8	M146K	MJS23K	MP136K	(2) MP119K
1973-1981	PW 100-150 series	318, 360, 400	3.5, 5.2, 5.9	V8	M146K	MJS23K	MP136K	(2) MP119K
1974-1983	PW 100-150 series	318, 360	5.2, 5.9	V8	M146K	MJS23K	MP136K	(2) MP119K
1974-1983	PW 100-150 series	225	3.7	L6	MJS13K	MM12K	MP119K	MP162K

PONTIAC

1977-1980	Astre, Sunbird	305	2.5, 5.0	V8	MJS13K	MJS13K	MP119K	MP119K
1976-1980	Astre, Sunbird	231	3.8	V6	M146K	M146K	MP136K	MP136K
1967-1984	Bonneville, Catalina,	307, 350, 400, 403, 455	4.3, 4.9, 5.0	V8	M146K	MJS23K	MP136K	(2) MP119K
1967-1984	Bonneville, Catalina,	301, 305, 307 w/HD clutch	5.7, 6.6, 7.5	V8	M146K	MJS23K	MP136K	(2) MP119K
1960-1968	Safari, Ventura	389, 421, 428 w/std fan	6.3, 6.9, 7.0	V8	M146K	MJS23K	MP136K	(2) MP119K

The information above has been compiled from industry guides with known sizes of fans recommended for vehicles listed and not necessarily from actual vehicle fit up.

MARADYNE® HP ELECTRIC FAN APPLICATION GUIDE

ALTERNATE

RANGE	MODEL	CUBIC INCHES	LITERS	ENG.	AUX.	PRIM.	AUX.	PRIM.
PONTIAC								
1967-1989	Safari, Ventura	265, 301, 305, 307, 350, 400, 403	4.3, 4.9, 5.0, 5.7, 6.6	V8	M146K	MJS23K	MP136K	(2) MP119K
1977-1987	Safari, Ventura	231, 265	3.8, 4.3	V6	M146K	MJS23K	MP136K	(2) MP119K
1963-1987	LeMans, Tempest,	265, 267, 301, 305, 350	4.3, 4.4, 4.9	V8	M146K	MJS23K	MP136K	(2) MP119K
1963-1987	Grand Prix, GTO, Grand Am	400, 421, 428, 455	5.0, 5.7, 6.6	V8	M146K	MJS23K	MP136K	(2) MP119K
1967-1987	all above	301, 305, 350, 403	4.3, 4.9	V8	M146K	MJS23K	MP136K	(2) MP119K
1967-1987	all above	265	5.0, 5.7, 6.6	V8	M146K	MJS23K	MP136K	(2) MP119K
1968-1981	all above	301, 305, 350	4.3	V8	M146K	MJS23K	MP136K	(2) MP119K
1968-1976	all above	250	4.1	L6	M146K	MJS23K	MP136K	(2) MP119K
1977-1981	all above	231	3.8	V6	MJS13K	MM12K	MP119K	MP162K
1980-1981	all above	229	3.8	V6	MJS13K	MM12K	MP119K	MP162K
1978-1981	Grand Prix, GTO, Grand Am	231, 262, 301, 307, 350	3.8, 4.3, 4.9, 5.0, 5.7	V6, V8	MJS13K	MM12K	MP119K	MP162K
1972-1979	Phoenix, Ventura	265, 301, 350 w/HD	4.3, 4.9, 5.7	V8	MJS13K	MM12K	MP119K	MP162K
1972-1979	Phoenix, Ventura	305,350	5.0, 5.7	V8	M146K	MJS23K	MP136K	(2) MP119K
1971-1976	Phoenix, Ventura	250	4.1	L6	M146K	MJS23K	MP136K	(2) MP119K
1977-1979	Phoenix, Ventura	231	3.8	V6	M146K	MJS23K	MP136K	(2) MP119K
1977-1979	Phoenix, Ventura	151	2.5	L4	MJS13K	MJS13K	MP119K	MP119K
1967-1983	Firebird, Trans Am	301, 350, 403, 455	5.7, 6.6, 7.5	V8	M146K	MJS23K	MP136K	(2) MP119K
1968-1981	Firebird, Trans Am	301, 350, 403 w/AC & std fan clutch	4.9, 5.7, 6.6	V8	M146K	MJS23K	MP136K	(2) MP119K
1967-1979	Firebird, Trans Am	400	6.6	V8	M146K	MJS23K	MP136K	(2) MP119K
1977-1986	Firebird, Trans Am	305	5.0	V8	M146K	MJS23K	MP136K	(2) MP119K
1979-1981	Firebird, Trans Am	301	4.9	V8	M146K	MJS23K	MP136K	(2) MP119K
1968-1976	Firebird, Trans Am	250	4.1	L6	MJS13K	MM12K	MP119K	MP162K
1977-1981	Firebird, Trans Am	231	3.8	V6	M146K	MJS23K	MP136K	(2) MP119K
1982-1984	Firebird, Trans Am	173	2.8	V6	MJS13K	MM12K	MP119K	MP162K
1982-1985	Firebird, Trans Am	151	2.5	L4	MJS13K	MJS13K	MP119K	MP119K
1995-2001	Sunfire		2.2, 2.4	L4	M123K	(2) M123K	MP119K	(2) MP119K
2002-2003	Vibe		1.8	L4	M103K	M146K	MP119K	MP136K
SAAB								
1979-1993	900		2.0, 2.1	L4	M123K	(2) M093K	MP119K	
SATURN								
1991-1997	All Models		1.9	L4	M103K	MJS13K	MP109K	MP119K
2002-2002	Vue			V6		MJS23K		(2) MP119K
SUBARU								
1977-1987	Brat		1.6, 1.8	L4	M123K	MJS13K	MP119K	MP119K
1976-1989	Coupe		1.6, 1.8	L4	M123K	MJS13K	MP119K	MP119K
1982-1986	Hatchback		1.6, 1.8	L4	M123K	MJS13K	MP119K	MP119K
1994-1998	Legacy		2.2	H4	M146K	MJS13K	MP119K	MP119K
1990-1993	Legacy		2.2	H4, L4	M146K	MJS13K	MP119K	MP119K
1990-1994	Loyale		1.8	H4	M123K	M123K	MP119K	MP119K
1998-1999	Outback		2.2	L4	M146K	MJS13K	MP119K	MP119K
1976-1989	Sedan, Wagon		1.8	H4	M123K	MJS13K	MP119K	MP119K
1985-1991	XT Coupe		1.8	H4	M123K	MJS13K	MP119K	MP119K
2002-2002	WRX, WRX Wagon		2.0	H4	M123K	(2) M123K	MP119K	(2) MP119K
SUZUKI								
2002-2002	Aerio		2.0	L4	M123K	(2) M123K or M123K	MP119K	(2) MP119K
1989-1997	Swift		1.3	L3, L4	M123K	M123K	MP119K	

The information above has been compiled from industry guides with known sizes of fans recommended for vehicles listed and not necessarily from actual vehicle fit up.

MARADYNE® HP ELECTRIC FAN APPLICATION GUIDE

ALTERNATE

RANGE MODEL CUBIC INCHES LITERS ENG. AUX. PRIM. AUX. PRIM.

SUZUKI

1999-2004	Grand Vitara		2.5		M123K	(2) M123K or M123K	MP119K	(2) MP119K
2001-2004	XL-7		2.7		M123K	(2) M123K	MP119K	(2) MP119K

TOYOTA

1995-1998	Avalon		3.0	V6	M146K	MJS23K	MP136K	(2) MP119K
1992-1998	Camry		2.2, 3.0	L4, V6	M146K	MJS23K	MP136K	(2) MP119K
1983-1991	Camry		2.0, 2.5	L4, V6	M123K	M123K	MP119K	MP119K
1990-1993	Celica		1.6, 2.2	L4	M123K	M123K	MP119K	MP119K
1987-1989	Celica		2.0	L4	M123K	M123K	MP119K	MP119K
1977-1986	Celica		2.0	L4	M146K	M146K	MP136K	MP136K
1984-1997	Corolla		1.6, 1.8	L4	M123K	M123K	MP119K	MP119K
2000-2004	Echo		1.5	L4	M123K	(2) M093K	MP119K	
2002-2002	Matrix			L4	M123K	(2) M103K	MP119K	(2) MP109K
1985-1985	MR2		1.6	L4	M123K	(2) M093K	MP119K	
1991-1995	Paseo		1.5	L4	M123K	M123K	MP119K	MP119K
1981-1982	Starlet		1.3	L4	M123K	MJS13K	MP119K	(2) MP119K
1993-1998	Supra		3.0	L6	M146K	MJS23K	MP136K	(2) MP119K
1986-1992	Supra		3.0	L6	M146K	(2) M123K	MP136K	(2) MP119K
1985-1994	Tercel		1.5	L4	M123K	M123K	MP119K	(2) MP119K
1996-2001	4-Runner		3.4	V6	M123K	(2) M123K	MP119K	(2) MP119K
1989-1995	4-Runner		3.0	V6	M123K	MM12K	MP119K	MP162K
1997-2001	4-Runner		2.7	L4	M123K	(2) M123K	MP119K	(2) MP119K
1989-1996	4-Runner		2.4, 3.0	L4, V6	M166K	MM12K	MP166K	MP162K
1984-1996	4-Runner		2.4	L4	M166K	MM12K	MP166K	MP162K
2001-2004	Highlander		2.4, 3.0	L4, V6	M146K	(2) M123K	MP136K	(2) MP119K
1988-1992	Land Cruiser		4.0	L6	M146K	MM12K or MM22K	MP136K	MP162K
1977-1988	Land Cruiser		4.2	L6	M146K	MM12K or MM22K	MP136K	MP162K
1993-1998	T-100		2.7, 3.0, 3.4	V6		MM22KX		
1995-2001	Tacoma		2.4, 2.7, 3.4		M123K	(2) M123K	MP119K	(2) MP119K
2001-2002	Tundra		3.4			MM22KX		
1989-1995	Pickup		2.4, 3.0	L4, V6	M166K	MM12K	MP166K	MP162K
1979-1996	Pickup		2.4	L4		M146K		MP136K
1990-1996	Previa		2.4	L4	M146K	MJS23K	MP136K	(2) MP119K
1996-1997	RAV4		2.0	L4	M123K	MJS13K	MP119K	MP119K
1996-2004	RAV4		2.0, 2.4	L4	M123K	MJS13K	MP119K	MP119K

VOLKSWAGEN

1998-2002	Beetle			L4	M123K	MJS23K	MP119K	(2) MP119K
1985-1992	Cabriolet		1.8	L4	M123K	(2) M093K	MP119K	
1990-1995	Corrado		2.8	V6	M123K	(2) M103K	MP119K	(2) MP109K
1987-1993	Fox		1.8	L4	M123K	MJS13K	MP119K	MP119K
1985-1992	Golf		1.8	L4	M123K	(2) M093K	MP119K	
1993-1993	Golf		1.8	L4	M166K	M166K	MP166K	MP166K
1983-1992	GTI		1.8, 2.0	L4	M123K	(2) M093K	MP119K	
1993-1993	GTI, Jetta		1.9	L4	M123K	(2) M093K	MP119K	
1982-1992	GTI, Jetta		1.6, 1.8	L4	M123K	(2) M093K	MP119K	
1990-1992	Jetta		1.7	L4	M123K	(2) M093K	MP119K	
1983-1984	Rabbit		1.5, 1.6, 1.7, 1.8	L4	M123K	(2) M093K	MP119K	
1975-1982	Rabbit		1.5, 1.6, 1.7	L4	M123K	MJS13K	MP119K	MP119K
1983-1988	Scirocco		1.7, 1.8	L4	M123K	(2) M093K	MP119K	
1975-1982	Scirocco		1.5, 1.7	L4	M123K	MJS13K	MP119K	MP119K

The information above has been compiled from industry guides with known sizes of fans recommended for vehicles listed and not necessarily from actual vehicle fit up.

RANGE	MODEL	CUBIC INCHES	LITERS	ENG.	AUX.	PRIM.	AUX.	PRIM.
VOLKSWAGEN								
1992-1996	Eurovan		2.5	L5	M123K		MP119K	
1997-2003	Eurovan		2.8	V6	M146K	MJS23K		(2) MP119K
1980-1983	Pickup		1.5, 1.6, 1.7	L4	M123K	(2) M093K	MP119K	

VOLVO								
1975-1993	240		2.3	L4	M146K	MM12K	MP136K	MP162K
1978-1985	260			V6	M166K	MM12K	MP166K	MP162K
1985-1992	740		2.3	L4	M146K	MM12K	MP136K	MP162K
1985-1990	760		2.3	L4	M146K	MM12K	MP136K	MP162K

PART # INDEX

PART #	DESCRIPTION	PAGE #	PART #	DESCRIPTION	PAGE #
H-400012	Santa Fe Heater 12v, 13,200 BTU/hr.	18	MFA118	18" Texas Twister Fan Blade	13
H-503012	The Heat 5000 Heater 12v, 12,500 BTU/hr.	16	MFA120	Fan harness kit w/Adj. Tstat (no relay)	14
H-5670004	Switch kit w/wire harness and tie wraps	16	MFA121	Mach Two Extreme Brkt Kit	12
H-5670005	Switch kit w/wire harness and tie wraps	16	MFA122	Mach Two Extreme Brkt Kit	12
H-5670014	Switch kit only	16	MFA123	Mach Two Extreme Brkt Kit	12
H-64006	Heater Hose kit	16 & 18	MFA124	Mach Two Extreme Brkt Kit	12
HF-100012	Hydronic Single Scroll Heater	19	MFA125	Mach Two Extreme Brkt Kit	12
HF-200012	Hydronic Dual Scroll Heater	20	MFA126	Defrost kit for The Heat 5000 & Santa Fe Heaters	16 & 18
M073K	Champion 6.5" 130w puller only	6	MFA127	Louver kit for The Heat 5000 & Santa Fe Heaters	16 & 18
M083K	Champion 8" 130w reversible	6	MFA128	Defrost kit for MM-1090002	17
M0912T	Nylon Pull Through Tie Kit	15	MFA129	Engine fitting kit for Stoker Heaters	17
M093K	Champion 9" 130w reversible	6	MFA130	Defrost kit for MM-1090002	17
M103K	Champion 10" 130w reversible	6	MFA132	Mounting bracket for Santa Fe Heater	18
M113K	Champion 11" 130w reversible	6	MJJ150	Junior Jet 150 PSI w/carry bag and accessories	21
M122K	Champion 12" 225w reversible	6	MJS13K	Jetstreme I - single 12" 130w fans - no controls	9
M123K	Champion 12" 130w reversible	6	MJS13KC	Jetstreme I - 12" 130w w/MFA100 harness	9
M142K	Champion 14" 225w reversible	6	MJS16K	Jetstreme I - single 12" 160w fans	9
M143K	Champion 14" 130w puller	7	MJS16KC	Jetstreme I - single 12" 160w w/harness	9
M146K	Champion 14" 160w reversible	6	MJS22K	Jetstreme II Platinum - dual 12" 225w fans	9
M162K	Champion 16" 225w reversible	6	MJS22KC	Jetstreme II Platinum - dual 12" 225w fans - w/harnesses	9
M163K	Champion 16" 130w puller	7	MJS23K	Jetstreme II - dual 12" 130w fans	9
M166K	Champion 16" 160w reversible	6	MJS23KC	Jetstreme II - dual 12" 130w w/harnesses	9
MC109K	Challenger 10" 90w reversible	10	MJS26K	Jetstreme II - dual 12" 160w fans	9
MC119K	Challenger 11" 90w reversible	10	MJS26KC	Jetstreme II - dual 12" 160w w/harnesses	9
MC136K	Challenger 13" 160w reversible	10	MM-1090002	9" Stoker w/2 - 3" outlets	17
MC162K	Challenger 16" 225w reversible	10	MM-1090004	9" Stoker w/flanged grille	17
MC166K	Challenger 16" 160w reversible	10	MM-1090009	9" Stoker w/grille	17
MFA100	Relay Fan Harness w/Adj. Tstat	14	MM12K	Mach One - single 16" 225w no controls	8
MFA101	Condenser Relay Fan Harness	14	MM12KC	Mach One - single 16" 225w w/MFA100 harness	8
MFA102	Relay Fan Harness w/185 Temp sensor	14	MM22K	Mach Two - dual 11" 225w no flange, puller	8
MFA103	Relay Fan Harness w/195 Temp sensor	14	MM22KS	Mach Two - dual 11" 225w side flanges, puller	8
MFA104	Rad Fan Metal Brkt kit	15	MM22KT	Mach Two - dual 11" 225w top/bot flange, puller	8
MFA105	Rad Fan Alum Brkt kit (14"/16" Champ Series)	15	MM22KX	Mach Two Extreme - dual 16" 225w Truck fan	12
MFA106	Jetstreme I Brkt Kit (92-00 Civic)	15	MP089K	Pacesetter 8" 90w reversible	11
MFA107	Jetstreme I & II Universal Brkt Kit	15	MP099K	Pacesetter 9" 90w reversible	11
MFA108	185 degree replacement temp switch	14	MP109K	Pacesetter 10" 90w reversible	11
MFA109	195 degree replacement temp switch	14	MP119K	Pacesetter 11" 90w reversible	11
MFA110	Adjustable replacement temp switch	14	MP126K-6	Pacesetter 12" 160w reversible (6 volt)	11
MFA111	Dual Fan adapter harness	14	MP136K	Pacesetter 13" 160w reversible	11
MFA112	Spacer Kit	15	MP146K-6	Pacesetter 14" 160w reversible (6 volt)	11
MFA113	Mating 9" pigtail connector for all Maradyne fans	14	MP162K	Pacesetter 16" 225w reversible	11
MFA114	14" Texas Twister Fan Blade	13	MP166K	Pacesetter 16" 160w reversible	11
MFA115	15" Texas Twister Fan Blade	13	MP166K-6	Pacesetter 16" 160w reversible (6 volt)	11
MFA116	16" Texas Twister Fan Blade	13	TA11A3001	Champion 11" high profile, 225w, puller only	7
MFA117	17" Texas Twister Fan Blade	13	TA12A3001	Champion 12" high profile, 225w, puller only	7

The information above has been compiled from industry guides with known sizes of fans recommended for vehicles listed and not necessarily from actual vehicle fit up.

MARADYNE®

HIGH PERFORMANCE FANS

Our Other Product Line Catalogs

