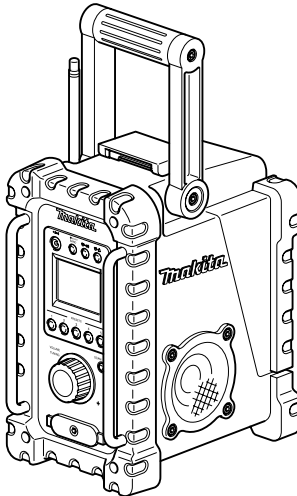


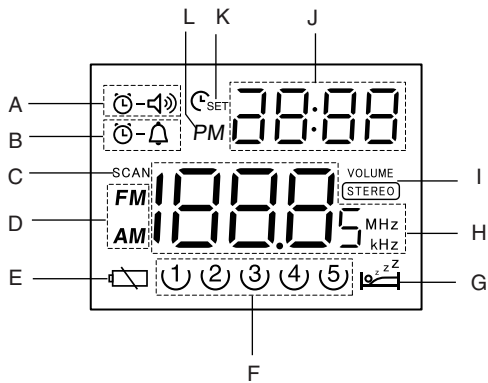
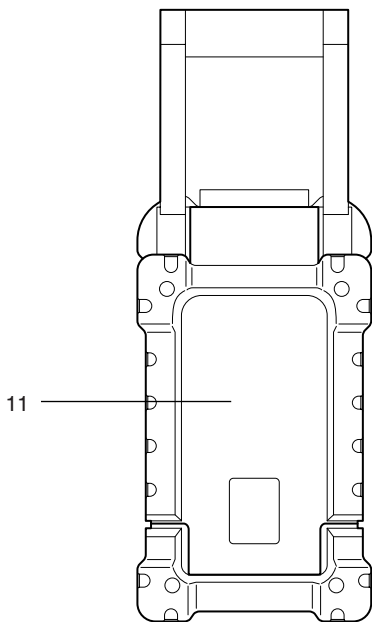
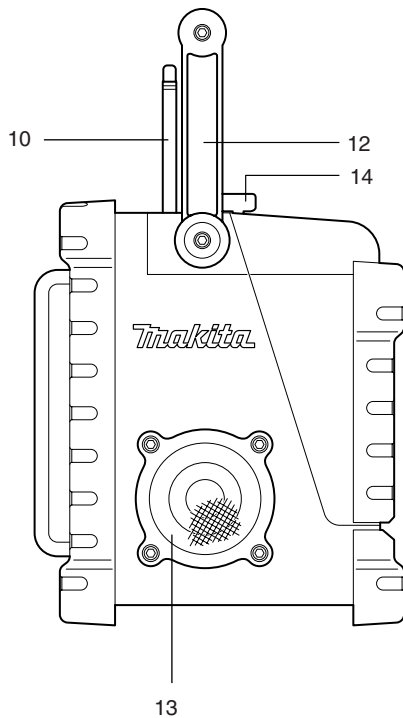
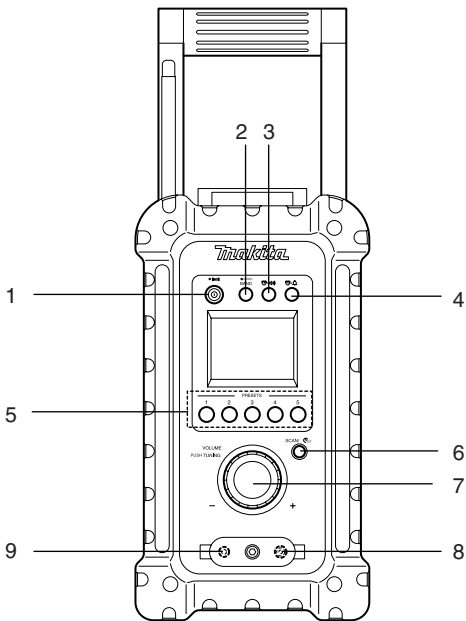


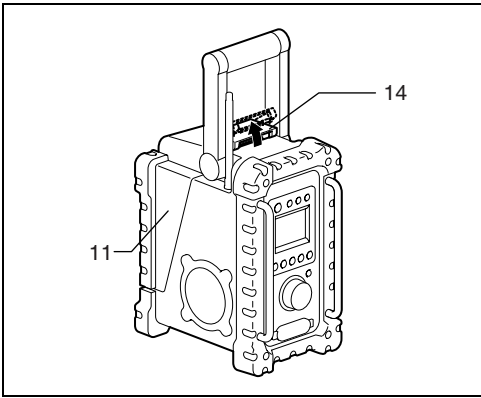
Radio

Instruction manual

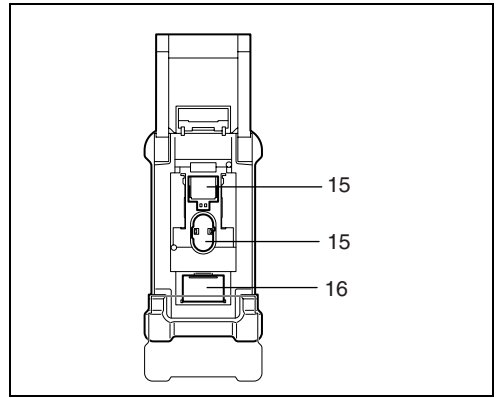
BMR100



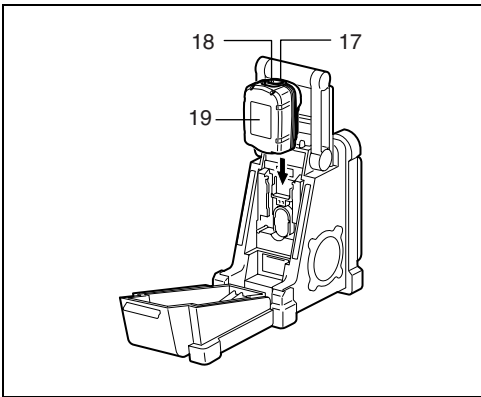




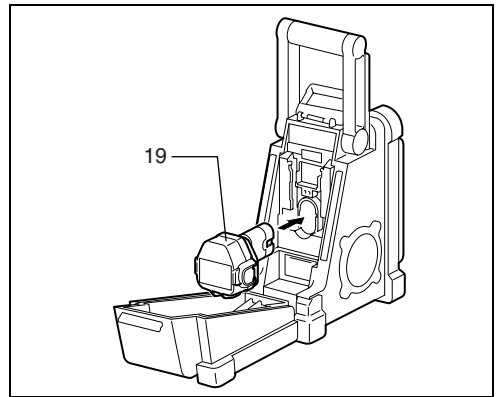
1



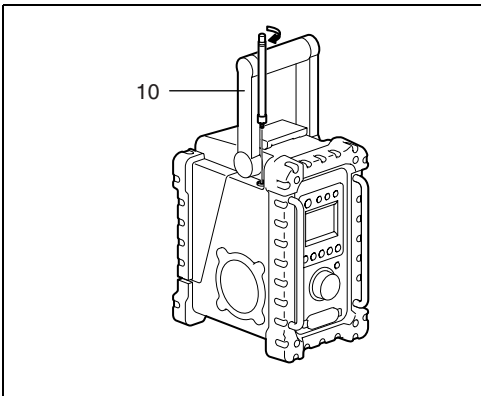
2



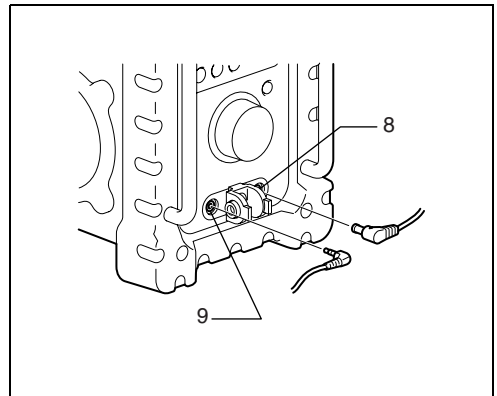
3



4



5



6

Symbols

The following show the symbols used for the equipment. Be sure that you understand their meaning before use.

Symboles

Nous donnons ci-dessous les symboles utilisés pour l'appareil. Assurez-vous que vous en avez bien compris la signification avant d'utiliser l'outil.

Símbolos

A continuación se muestran los símbolos utilizados para el equipo. Asegúrese de que entienda su significado antes de usarla.



- Read instruction manual.
- Lire le mode d'emploi.
- Lea el manual de instrucciones.



Ni-Cd



Ni-MH



Li-ion

- Always recycle batteries
- Toujours mettre les batteries au recyclage
- Recicle siempre las baterías

ENGLISH

IMPORTANT SAFETY INSTRUCTIONS

WARNING:

When using electric tools, basic safety precautions should always be followed to reduce the risk of fire, electric shock, and personal injury, including the following:

1. Read this instruction manual and the charger instruction manual carefully before use.
2. Clean only with dry cloth.
3. Do not block any ventilation opening. Install in accordance with the manufacturer's instruction.
4. Do not install near any heat sources such as radiators, heat registers, stoves, or other apparatus (including amplifiers) that produce heat.
5. Only use attachments/accessories specified by the manufacturer.
6. Unplug this apparatus during lightning storms or when unused for long periods of time.
7. A battery operated radio with integral batteries or a separate battery pack must be recharged only with the specified charger for the battery. A charger that may be suitable for one type of battery may create a risk of fire when used with another battery.
8. Use battery operated radio only with specifically designated battery packs. Use of any other batteries may create a risk of fire.
9. When battery pack is not in use, keep it away from other metal objects like: paper clips, coins, keys, nails, screws, or other small metal objects that can make a connection from one terminal to another. Shorting the battery terminals together may cause sparks, burns, or a fire.
10. Avoid body contact with grounded surfaces such as pipes, radiators, ranges and refrigerators. There is an increased risk of electric shock if your body is grounded.

SAVE THESE INSTRUCTIONS.

Features:

- AM/FM-stereo PLL Synthesized
- Large LCD display with illumination
- Manual/Preset/Scan tuning
- Rotary tuning and volume control
- 5 preset stations each band
- Time and 2 alarm timers (radio and HWS buzzer) with Snooze
- Adjustable sleep (auto shut off) timer
- Stereo speaker for rich sound performance
- Ultra rugged design
- Water resistant to JIS 4
- Powered by both Makita battery pack and supplied power adaptor

Explanation of general view

Controls:

1. Power and Sleep timer
2. Band/Tuning step selection and Mono button
3. Radio alarm set
4. Buzzer alarm set
5. Preset stations
6. Scan tuning and Time set
7. Volume and Tuning controls
8. DC IN socket
9. Headphone socket
10. Soft bended rod antenna
11. Battery compartment (including main battery pack and back up batteries)
12. Handle
13. Speaker
14. Battery compartment locker
15. Main battery compartment
16. Back up battery compartment
17. Red part
18. Button
19. Battery cartridge

LCD Display:

- A. Radio alarm
- B. HWS buzzer alarm
- C. Scan tuning
- D. Band Indicator
- E. Low battery indicator
- F. Preset stations
- G. Sleep and Snooze status
- H. Frequency
- I. Stereo symbol and Volume
- J. Clock
- K. Time set
- L. PM for clock

Battery Installation

Note:

Keeping back up batteries inside the compartment prevent stored data in preset memories from being lost.

1. Pull out the battery compartment locker to release battery compartment. There are main battery pack compartment and back up battery compartment. (Fig.1 & 2)
2. Remove back up battery compartment cover and insert 2 fresh UM-3 (AA sizes). Make sure the batteries are with correct polarity as shown inside the compartment. Replace the battery cover.
3. After back up batteries are inserted, insert the main battery pack to power radio. The suitable battery packs for this radio listed as below.

Cluster Battery:

9.6V: 9135 | 9134 | 9122 | PA09 | 9120

12V: 1235 | 1234 | 1222 | PA12 | 1220

14.4V: 1435 | 1434 | 1422 | PA14 | 1420

18V: 1835 | 1834 | 1822 | PA18

Slide Battery:

9.6V: BH9033 | BH9033A | BH9020 | BH9020A

12V: BH1233 | BH1233C | BH1220C

14.4V: BH1433 | BH1420 | BL1430

18V: BL1830

24V: BH2433 | BH2420

The following tables indicate the operating time on a single charge.


Battery Capacity	Battery Cartridge*Voltage					Operating time* (At Max. Volume)
	9.6V	12V	14.4V	18V	24V	
1.3 Ah	PA09 9120	PA12 1220	PA14 1420	PA18	–	Approx. 7 hour
2.0 Ah	9122 BH9020 BH9020A	1222 BH1220C	1422 BH1420	1822	BH2420	Approx. 11 hour
2.6 Ah	9134	1234	1434	1834	–	Approx. 13 hour
3.0 Ah	9135	1235	1435 BL1430	1835 BL1830	–	Approx. 16 hour
3.3 Ah	BH9033 BH9033A	BH1233 BH1233C	BH1433	–	BH2433	Approx. 17 hour

* Operating time may differ by the type of battery, charging or operating conditions.

3-1. Installing or removing Slide battery cartridge (Fig. 3)


- To insert the battery cartridge, align the tongue on the battery cartridge with the groove in the housing and slip it into place. Always insert it all the way until it locks in place with a little click.
- Do not use force when inserting the battery cartridge. If the cartridge does not slide in easily, it is not being inserted correctly.
- To remove the battery cartridge, withdraw it from the tool while sliding the button on the front of the cartridge or pressing the buttons on both sides of the cartridge.

3-2. Installing or removing Cluster battery cartridge (Fig.4)

- To insert the battery cartridge, align the tongue on the battery cartridge with the groove in the housing and slip it into place.
- Do not use force when inserting the battery cartridge. If the cartridge does not slide in easily, it is not being inserted correctly.
- To remove the battery cartridge, withdraw it from the Job site radio.
- 4. Replace battery compartment locker.
- 5. Reduced power, distortion and a “stuttering sound” or low battery sign  that appears on the display are all the signs that the main battery pack needs to replace.

Note:

The battery pack can't be charged via the supplied AC power adaptor.

6. When low battery sign  appears and an “E” keeps on flashing is the time to replace the back up batteries.

Installing the Soft bended rod antenna (Fig.5)

Install the Soft bended rod antenna as show in the figure.

Using Supplied AC power adaptor (Fig.6)

Remove the rubber protector and insert the adaptor plug into the DC socket on the front side of the radio. Plug the adaptor into a standard mains socket outlet. Whenever the adaptor is used, the battery pack are automatically disconnected. The AC adaptor should be disconnected from the main supply when not in use.

Setting the clock

1. Clock can be set either when the radio is power on or off.
2. Display will show “-: -” when the back up batteries are installed.
3. Long press the time set button C_{SET} for more than 2 seconds, display will flash time set symbol C_{SET} and also the hour digit, followed by a beep.
4. Rotate Tuning control to set the required hour.
5. Press \odot button to confirm hour setting, the minute digit will flash.
6. Rotate Tuning control to set the required minute.
7. Press the \odot button again to complete clock setting.

Operating the radio

This radio equips with three tuning methods – Scan tuning, Manual tuning and Memory presets recall.

Scan Tuning

1. Press the Power button to turn on the radio.

2. Select the required waveband by pressing the Band button. Make sure the rubber bended rod antenna has been well placed for best FM reception. For AM (MW) band, rotate the radio to get best signal. Try to avoid to operate the radio next to computer screen and other equipment which will cause interference to radio.
3. Press and release Scan button (long press Scan button more than 2 seconds will activate time setting), LCD display will flash Scan symbol and the radio will up search and stop automatically when it finds a radio station. Press the Scan button again to pick up the found station.

Note:

A stereo symbol will appear on the display, if the station found is a stereo station.

Note:

The radio will continue to search next available stations if you do not press Scan button again when it finds a radio station.

4. Rotate the Volume control to get required sound level. LCD display will show sound level changes.

Note:

During operating volume control, you can press in Tuning/Volume control knob to change volume control to tuning control status.

5. To turn off the radio, press the Power button. Display will show OFF.

Manual Tuning

1. Press the Power button to turn on the radio.
2. Select the required waveband by pressing the Band button. Adjust the antenna as described above.
3. A single rotary to the Tuning control will change the frequency in the following increment:
FM: 50 or 100 kHz
AM (MW): 9 or 10 kHz

Note:

If the radio is in volume control status, press in the tuning/volume control to become Tuning status.

4. Keep on rotating the Tuning control until the required frequency shown on the display.
5. Rotate the volume control to get required sound level.
6. To turn off the radio, press the Power button. Display will show OFF.

Storing stations in preset memories

There are 5 memory presets for each waveband.

1. Press the Power button to turn on the radio.
2. Tune to required station using one of the methods previously described.
3. Press and hold down the required preset until radio beeps. The preset number will appear in the display and the station will be stored under chosen preset button.
4. Repeat this procedure for the remaining presets.
5. Stations stored in preset memories can be overwritten by following above procedures.

Recall stations from preset memories

1. Press the power button to turn on the radio.
2. Select the required waveband.
3. Momentarily press the required Preset button, the preset number and station frequency will appear in the display.

Setting the radio alarm

When the radio alarm is selected, the radio will turn on and play the chosen radio station at the chosen alarm time. The radio alarm will continue for one hour unless turned off by pressing the Power button. Pressing the Power button whilst the alarm is activated will cancel the alarm for 24 hours.

Note:

When the radio is in low battery status, the radio alarm can't be activated.

a. Setting radio alarm time:

1. The radio alarm can be set either when radio is on or off.
2. Press and release radio alarm button (🔔-🔊), the radio alarm symbol will flash.
3. During radio alarm symbol flashing, press (C_{SET}) button for more than 2 seconds followed by a beep.
4. Display Hour will flash, rotate Tuning Control to select the hour then press (C_{SET}) button again to confirm hour setting.
5. Follow same procedures of setting hour to set required minute. Press (C_{SET}) button to complete alarm time setting.

b. Setting radio alarmed station

1. During setting radio alarm time and radio alarm symbol is flashing, press Band button to activate the radio to select required wake-up band and station by manual tuning and recall the preset stations. Press (🔔-🔊) button to complete radio alarm setting. Display will show (🔔-🔊).
2. When above radio alarm time and station are set, press and hold down radio alarm button (🔔-🔊) for 2 seconds followed by a beep to switch alarm on or off. Display will show (🔔-🔊) when radio alarm is set.

Note:


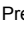
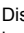
If new radio alarm station is not selected, it will select the last alarm station.

Setting the HWS (Humane Wake System) buzzer alarm

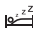
A beep tone will activate when selecting the HWS buzzer alarm.

The alarm beep will become shorter and shorter every 15 seconds for one minute followed by one minute silence before repeating the cycle.

The HWS alarm will sound for one hour until turning off by pressing the Power button. Press the Power button whilst the alarm is activated will cancel the alarm for 24 hours.

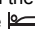
1. The HWS buzzer alarm can be set either radio is on or off.
2. Press and release the HWS buzzer alarm button , the symbol will flash.
3. During the symbol flashes, long pressing the **C_{SET}** button for more than 2 seconds followed by a beep and display Hour digit will flash.
4. Rotate Tuning Control to select required alarm hour, then press time set button again. The minute digit will then flash.
5. Rotate Tuning Control to select required alarm minute, the press time set button **C_{SET}** again to complete HWS buzzer alarm setting.
6. Press and hold down buzzer alarm button  for more than 2 seconds followed by a beep to switch on or off the HWS buzzer alarm.
Display will appear  when buzzer alarm has been set.

Snooze function

1. Whilst the alarm is activated, pressing any buttons except the Power Button will activate the snooze function. The radio or HWS buzzer alarm will be silenced with interval of 5 minutes.
2. The display will flash both the snooze symbol  and the alarm symbol. The snooze function can be repeatedly during one hour that the alarms are active.

Sleep function

The sleep timer will automatically switched off the radio after a preset time has elapsed.

1. Press and continue to hold down the Power button for more than 2 seconds, followed by a beep tone, the display will cycle through the available sleep times in the order 60-45-30-15-120-90-60.
Release the Power button when the required sleep time appears in the display. The  symbol will appear in the display and the radio will play the last station selected.
2. To cancel the sleep function, press the Power button. The Symbol will disappear and radio is off.

Display illumination

Press any buttons or rotate tuning/volume control will illuminate the LCD display for approx. 15 seconds. During scanning stations and alarm activated, will also automatically illuminate the display.

Setting tuning step

Tuning steps on some countries are different from where you purchase the radio. If you buy the radio in Europe and intend to use in Northern America or some Southern American countries, you may have to adjust tuning step so the radio may continue to serve you well.

While radio is switched off, long pressing Step/Band button for more than 2 seconds will first show current FM tuning step.

Continue pressing Step/Band button for approx. another 5 seconds until display FM and 50 kHz (tuning step) flashing followed by a beep. By rotating the Tuning control, you may adjust to 100 kHz per tuning step.

After FM tuning step is reset, pressing Step/Band button again, display will show AM (MW) and flash 9 kHz. By rotating Tuning control, you may adjust to 10 kHz per tuning step. Complete the setting by pressing Step/Band button.

Change Stereo to Mono

When the stereo FM station reception is weak, you can improve it by pressing Mono button for 2 seconds. The sound is no longer in stereo and stereo indicator disappears.

Headphone socket

A 3.5 mm headphone socket located in front of your radio is provided for use with either headphones or an hairpiece. Inserting a plug automatically mutes the internal speaker.

Specifications:

Power Requirements

AC power adaptor DC12V 700mA, center pin positive
 Battery UM-3 (AA size) x 2 for back up
 Cluster battery: 9.6 - 18V
 Slide battery: 9.6 - 24 V

Frequency coverage: FM 87.50 - 108 MHz
 AM520 - 1710 kHz (10 kHz/step)

Circuit feature

Loudspeaker 3 inches 8 ohm
 Output Power 9.6V: 0.8 W x 2, 12V: 1.2 W x 2
 14.4V: 2W x 2, 18V: 3W x 2
 24V: 5W x 2

Headphone socket 3.5 mm dia.

Antenna system FM: soft bended rod antenna
 AM: bar antenna

Dimension (W x H x D) in mm:
 263 x 305 x 166

Weight 4.2kg (without battery)