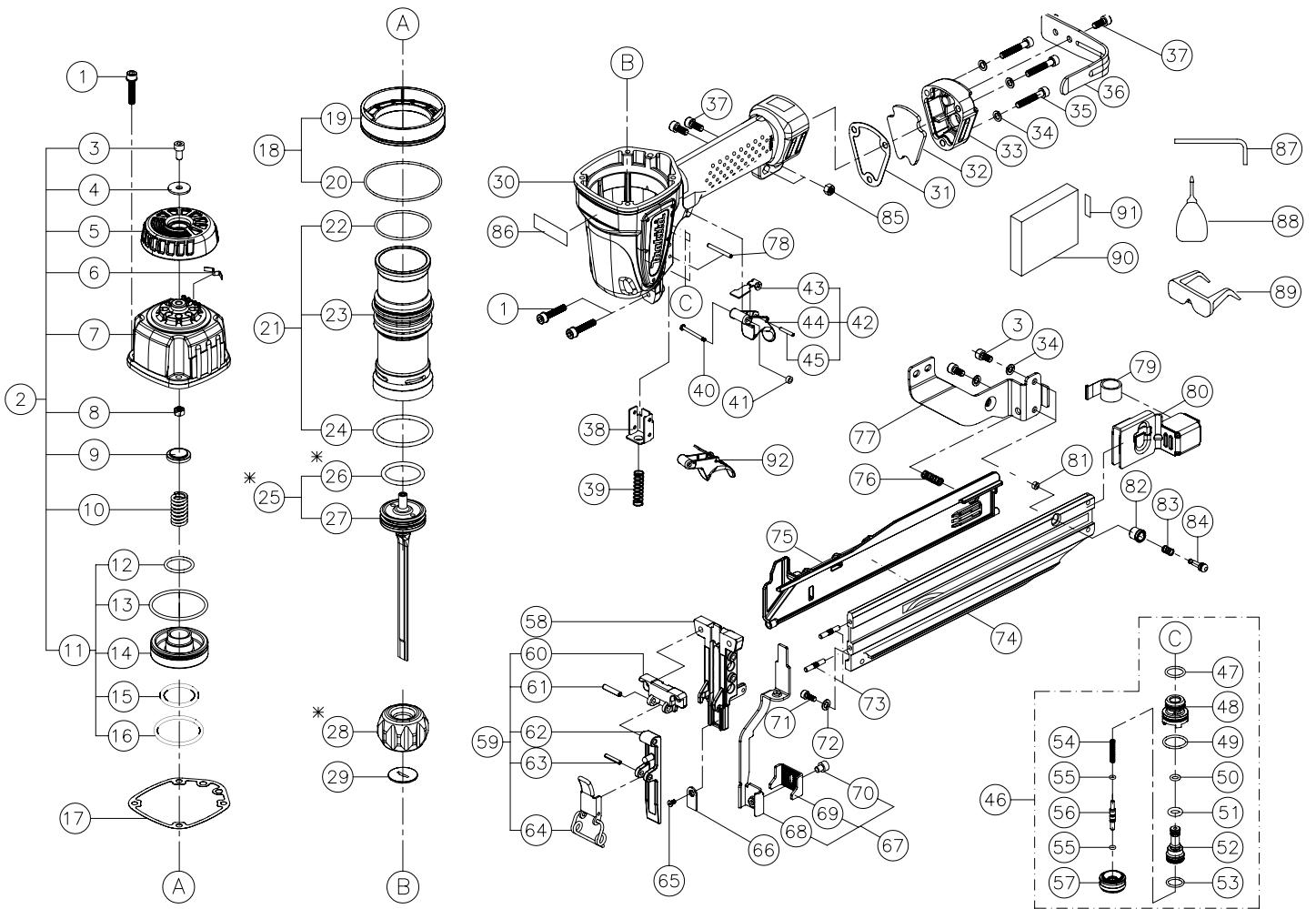




Parts List For Medium Crown Stapler AT1150A USA



ITEM NO.	PART NO.	DESCRIPTION	QTY	ITEM NO.	PART NO.	DESCRIPTION	QTY	ITEM NO.	PART NO.	DESCRIPTION	QTY
1	B0000-0301	SCREW SET M5*25	6	32	A0203-0151	INLET FILTER	1	63	A0011-0601	SPRING PIN 3*18	1
2	K0300-3431	TOP CAP SET	1	33	A0306-0811	INLET CAP	1	64	B0800-0341	CLICK LEVER SET	1
3	A0000-1131	SCREW M5*10	3	34	A0005-0031	WASHER 5*1.2t	5	65	A0000-1451	SCREW M3*6	1
4	A0005-1271	FLAT WASHER	1	35	A0000-0161	SCREW M5*30	3	66	A0708-0571	PLATE	1
5	A0304-0611	EXHAUST COVER	1	36	A0316-0311	HOOK	1	67	K0700-5101	CONTACT ARM SET	1
6	A0105-0081	SPRING PLATE	1	37	A0000-0061	SCREW M5*12	3	68	A0711-2401	CONTACT ARM	1
7	A0301-1221	CAP, MAIN BODY	1	38	A0712-1421	HOLDER	1	69	A0714-0491	SAFETY ELEMENT	1
8	A0004-0001	HEX. NUT M5	1	39	A0100-2371	SPRING	1	70	A0000-0331	SCREW M5*6	1
9	A0311-0631	SEAL, AIR	1	40	A0006-0732	TRIGGER PIN	1	71	A0000-0231	SCREW M4*12	1
10	A0100-2391	COMPRESSION SPRING	1	41	A0005-0311	PIN RETAINER 5.5*2	1	72	A0005-0561	WASHER 4*8*0.5	1
11	K0300-3441	DISC VALVE SET	1	42	K0500-1371	TRIGGER ASSEMBLY(DUAL-ACTION)	1	73	A0006-1481	PIN	2
12	A0200-2121	O-RING 20.8*2.4	1	43	A0501-0551	TRIGGER, INNER	1	74	K0700-5601	MAGAZINE COMPLETE	1
13	A0200-1701	O-RING 47.3*2.62	1	44	A0500-0831	TRIGGER	1	75	K0700-5591	MAGAZINE COVER COMPLETE	1
14	A0308-0591	DISC VALVE	1	45	A0011-0251	SPRING PIN 2.5*16	1	76	A0100-0241	COMPRESSION SPRING	1
15	A0200-4131	O-RING 30*4	1	46	K0500-1351	TRIGGER VALVE SET	1	77	A0706-1521	SUPPORT	1
16	A0200-4121	O-RING 41.7*3.5	1	47	A0200-2111	O-RING 13.8*1.9	1	78	A0011-0151	SPRING PIN 3*28	4
17	A0205-0571	TOP CAP GASKET	1	48	A0503-0391	TRIGGER VALVE GUIDE	1	79	A0102-0151	SPRING	1
18	K0300-3451	SPACER SET	1	49	A0200-2071	O-RING 17.8*1.9	1	80	A0707-1921	PUSHER	1
19	A0800-0861	SPACER	1	50	A0200-4061	O-RING 5.5*1.8	1	81	A0005-0291	PIN RETAINER 6*2.9	1
20	A0200-1011	O-RING 64*2	1	51	A0200-2471	O-RING 7.59*2.62	1	82	A0719-0991	RETAINER SEAT	1
21	K0300-3461	CYLINDER SET	1	52	A0504-0641	PILOT VALVE	1	83	A0100-2461	SPRING	1
22	A0200-2231	O-RING 45*2	1	53	A0200-4071	O-RING 12.1*1.7	1	84	A0007-0621	RETAINER	1
23	A0303-0831	CYLINDER	1	54	A0100-1301	SPRING	1	85	A0004-0021	NYLON NUT M5	2
24	A0200-3821	O-RING 44.7*3.5	1	55	A0200-3891	O-RING 2.5*1.5	2	86	A0919-5581	NAME PLATE	1
25	K0600-1831	PISTON UNIT	1	56	A0504-0621	TRIGGER VALVE STEM	1	87	A0913-0011	HEX. WRENCH	1
26	A0200-2921	O-RING 33.8*3.5	1	57	A0503-0671	TRIGGER VALVE CASE	1	88	A0907-0001	OIL POT	1
27	B0600-2361	DRIVER COMPLETE	1	58	A0713-0791	DRIVER GUIDE	1	89	A0908-0171	SAFETY GOGGLE	1
28	A0309-0751	BUMPER	1	59	K0700-5111	DRIVER GUIDE COVER SET	1	90	A0902-1261	COLOR BOX	1
29	A0310-0671	NOZZLE	1	60	A0719-0981	STOPPER	1	91	A0919-4761	SEALING LABEL	1
30	K0400-0631	HOUSING COMPLETE	1	61	A0006-0671	PIN 4*20	1	92	K0500-1441	SEQUENTIAL TRIGGER SET	1
31	A0205-0551	INLET CAP GASKET	1	62	A0713-0801	DOOR	1				