

Makita

MEDIUM & WIDE CROWN STAPLERS

MEDIUM & WIDE CROWN STAPLERS FEATURE LIGHTWEIGHT DESIGN FOR COMFORT AND CONTROL

Top-Loading Magazine Allows User to Quickly Load 16 GA Staples Varying in Length from 1" to 2"

"Tool-less" Nail Jam Clearing Minimizes Downtime

Built-in Air Filter Minimizes Dust and Debris from Entering Tool

Hook Allows Tool to Remain Close-by but Never in the Way

Ideal for Framing & Roofing Contractors, Furniture & Cabinet Manufacturers, General Contractors and More



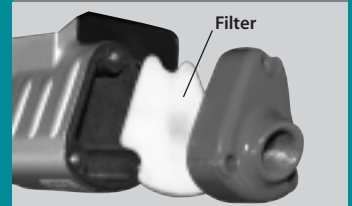
Models
AT1150A
AT2550A

EFFICIENCY



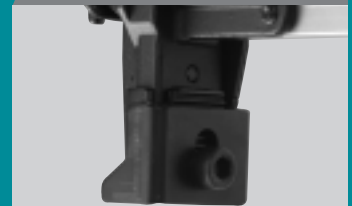
Quick release cam-lock opens guide assembly to easily clear jammed staples, minimizing downtime

DURABILITY



Built-in air filter minimizes dust and debris, prolonging life and minimizing maintenance

ACCURACY



Depth drive adjustment allows user to drive staples to the precise level on the surface

CONVENIENCE



Hook allows tool to remain close-by but never in the way

PNEUMATICS

MEDIUM & WIDE CROWN STAPLERS

Models AT1150A / AT2550A

FEATURES & BENEFITS

- Lightweight design for comfort and control
- Rugged aluminum magazine has large holding capacity (up to 140 staples)
- Quick release cam-lock opens guide assembly to easily clear jammed nails, minimizing downtime
- Depth adjustment drives staples to the precise level on the surface
- Hook allows tool to remain close by but never in the way
- Built-in air filter minimizes dust and debris from entering tool
- Multi-directional exhaust port directs exhaust air away from user
- Rubber bumpers protect the tool and surface from damage
- Rubberized grip gives user better control and comfortable handling

STANDARD EQUIPMENT

- Oil Supply (A09070001)
- Safety Glasses (A09080171)
- Hex Wrench (A09130011)
- Tool Hook (A03160311)

SPECIFICATIONS

	AT1150A	AT2550A
Operating Pressure	65 - 120 PSI	65 - 120 PSI
Staple Size	7/16" x 1" to 2"	1" x 1" to 2"
Magazine Capacity	140 staples	140 staples
Dim. (L x W x H)	14-1/2" x 3-7/16" x 11-3/8"	14-1/2" x 3" x 10-1/4"
Net Weight	4.9 lbs.	5.1 lbs.
Shipping Weight	6.8 lbs.	7.0 lbs.
UPC Code	088381-07749-1	088381-07750-7

OPTIONAL ACCESSORIES

- Premium Vinyl Air Hose



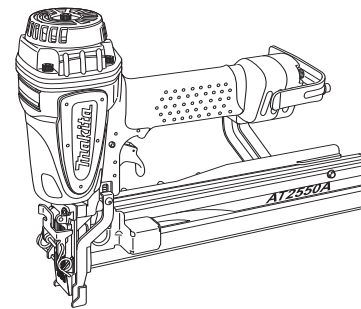
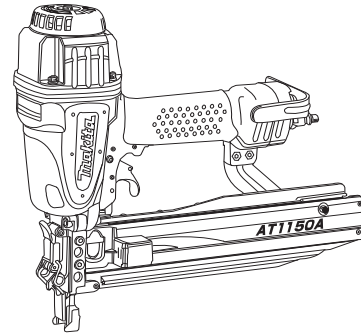
Size	3/Package Part#	5/Package Part#	10/Package Part#
1/4" x 25'			1121-1
1/4" x 50'		1122-1	
1/4" x 100'	1123-1		
3/8" x 25'			VAH25
3/8" x 50'		VAH50	
3/8" x 100'	VAH100		

- Industrial Rubber Air Hose



Size	3/Package Part#	5/Package Part#	10/Package Part#
3/8" x 25'			RAH25
3/8" x 50'		RAH50	
3/8" x 100'	RAH100		

- Tool First Aid Repair Kit (193006-6)



- Air Fittings



Type	Body	Size	Thread Style	2/Package Part#
Automotive	1/4"	1/4"	Male	311008-A
		1/4"	Female	311004-A
		3/8"	Male	311009-A
		3/8"	Female	311005-A
Automotive	3/8"	1/4"	Male	311016-A
		1/4"	Female	311012-A
		3/8"	Male	311017-A
		3/8"	Female	311013-A
Industrial	1/4"	1/4"	Male	311006-A
		1/4"	Female	311002-A
		3/8"	Male	311007-A
		3/8"	Female	311003-A
Industrial	3/8"	1/4"	Male	311014-A
		1/4"	Female	311010-A
		3/8"	Male	311015-A
		3/8"	Female	311011-A

- Universal Quick Coupler



Style	Size	Thread Style	2/Package Part#
Fits 1/4" automotive & industrial fittings	1/4"	Male	036003-1
	1/4"	Female	311018-A

