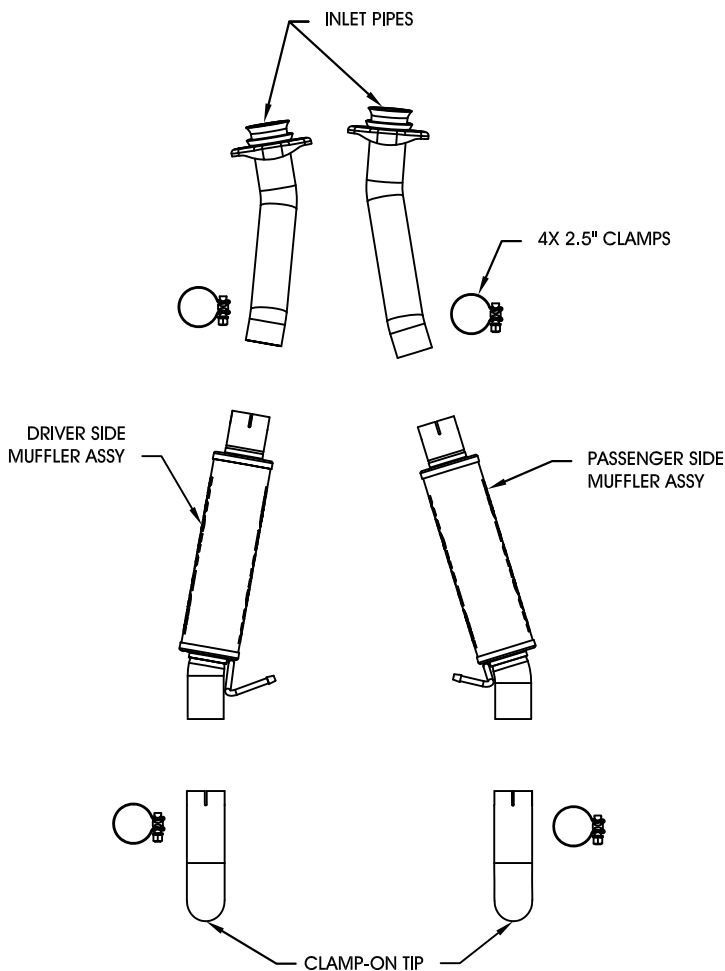


1984 - 2004 FORD MUSTANG - 8CYL 4.6/5.0L

NOTE: Magnaflow Performance exhaust systems are designed for a correct fit on vehicles with OEM components. Aftermarket accessories such as headers, and/or cross-over assemblies (H-pipe / X-Pipe) may not fit like the OEM components, and may require fabrication for proper fit of your MAGNAFLOW system.

Warning: When working under or around any vehicle exercise caution. Please allow the vehicle's exhaust system to cool before removal, as exhaust system temperatures may cause severe burns. If working without a lift, always consult vehicle manual for correct lifting specifications. Always wear safety glasses and ensure safe work area. Serious injury or death could occur if safety measures are not followed.



Step 1: To begin removal of your OEM exhaust system, you will need to cut the tail-pipes just behind the mufflers. Remove the tail pipes from the OEM rubber insulators. Do not damage the rubber insulators, as they will be re-used with your new system. Next unbolt the extension pipes from the H-pipe and remove the mufflers from their OEM rubber insulators. Do not discard the fasteners required to bolt the extension pipes to the mufflers, as they will be re-used.

Step 2: Begin installation by bolting the new front extension pipes to the H-pipe with the supplied flanges and the OEM fasteners. Leave all components loose until a final position is chosen for aesthetics and clearance. Working rearwards, slip the new mufflers over the ends of the extension pipes and mount the muffler hangers into the OEM rubber insulators. Loosely slip the Clamp-On Tips over each Muffler assembly outlet pipes and secure using the supplied clamps.

Step 3: Adjust all components for clearance of the frame, bodywork and overall aesthetics. (MAGNAFLOW recommends at least 1/2" of clearance between the exhaust tips and the rear fascia to avoid heat related body damage or fire.)

Step 4: Once a final position has been set, evenly tighten all fasteners from front to rear, including the OEM H-pipe fasteners, U-bolt clamps and the tip assembly fasteners to complete installation. Inspect all fasteners after 25-50 miles of operation, and re-tighten if necessary.

*MAGNAFLOW Performance Exhaust recommends professional installation on all their products