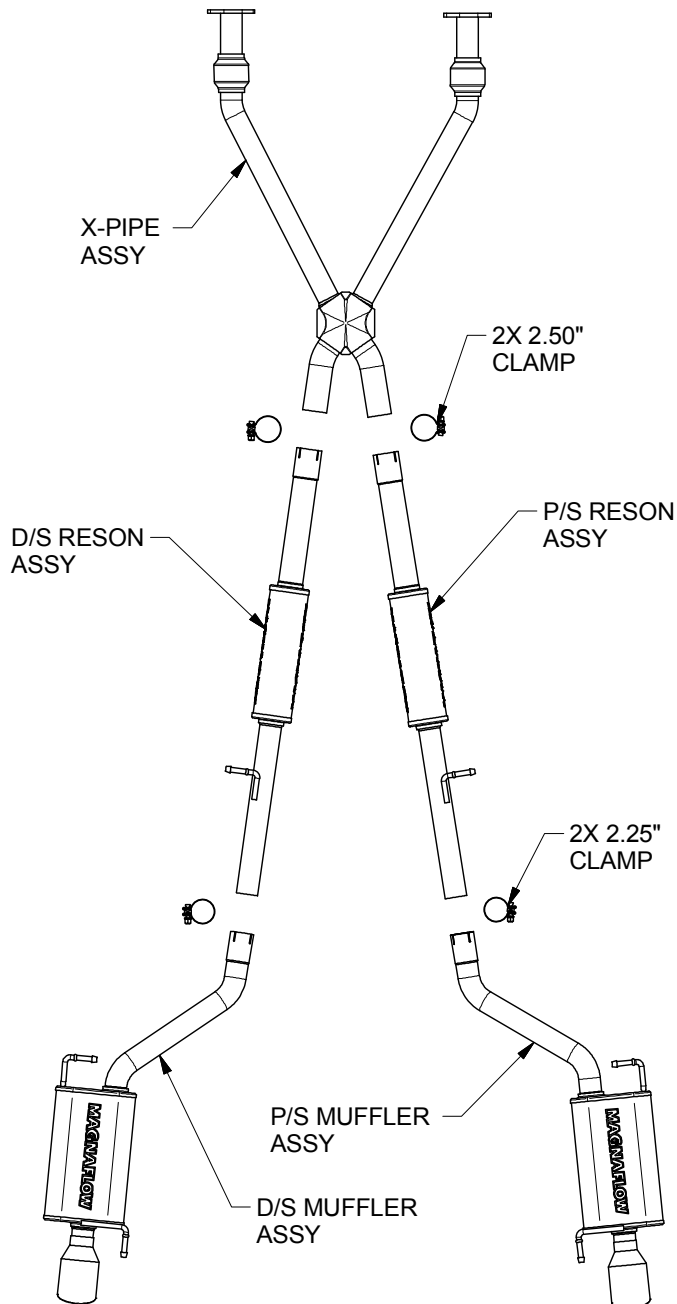


### 2007-2008 Infiniti G35 Sedan



**Warning:** When working on, under, or around any vehicle exercise caution. Please allow the vehicle's exhaust system to cool before removal, as exhaust system temperatures may cause severe burns. If working without a lift, always consult vehicle manual for correct lifting specifications. Always wear safety glasses and ensure a safe work area. Serious injury or death could occur if safety measures are not followed.

**Step 1:** Begin removal of the OEM exhaust by unbolting the 2-bolt flanges behind the catalytic converters, you can now disengage the hangers and remove the system. Do not discard or damage the OEM fasteners and rubber insulators as they will be reused to mount the new system.

**Step 2:** Install the new X-Pipe Assembly by bolting it to the catalytic converter reusing the OEM gaskets and fasteners. Leave all clamps and fasteners loose for final adjustment of the complete system. Install the Resonator Assemblies by fitting the welded hangers into the rubber insulators and by fastening it to the X-Pipe Assembly using the supplied 2.50" clamps. Install the Muffler Assemblies in a similar fashion using the 2.25" clamps.

**Step 3:** With all components mounted loosely, adjust the system for overall aesthetics and clearance of frame & bodywork. (MAGNAFLOW recommends at least 1/2" of clearance between the exhaust system and any body panels to prevent heat-related body damage or fire.)

**Step 4:** Once a final position has been chosen for the new system, evenly tighten all fasteners from front to rear. The supplied band clamps must be VERY tight to properly align the pipes and prevent leaks (Approximately 40ft-lbs). Inspect all fasteners after 25-50 miles of operation and retighten if necessary.

**\*\* Magnaflow Performance Exhaust recommends professional installation on all their products**