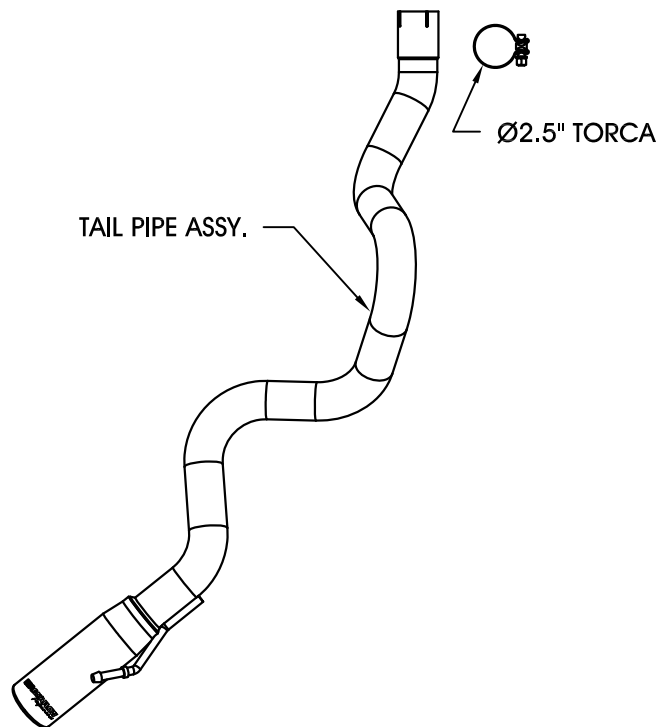
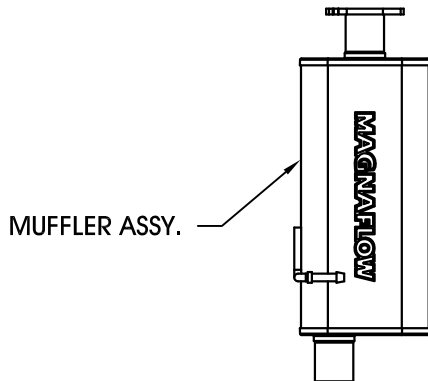


1994 - 1997 Land Rover Defender 90 V-8

Warning: When working on, under, or around any vehicle exercise caution. Please allow the vehicle's exhaust system to cool before removal, as exhaust system temperatures may cause severe burns. If working without a lift, always consult vehicle manual for correct lifting specifications. Always wear safety glasses and ensure a safe work area. Serious injury or death could occur if safety measures are not followed.



Step 1: (Carefully read all instructions before installation) Disconnect the vehicle's battery before removal of the OEM exhaust. This will allow the computer to reset itself with the new system, and prevent electrical accidents.

Step 2: Unbolt the OEM exhaust from the catalytic converter flange. Carefully remove the system making sure to retain all mounting hardware and rubber insulators as they will be needed to install your new MAGNAFLOW system.

Step 3: Begin installing your new system by bolting the inlet flange of the muffler assembly to the catalytic converter flange using the existing nuts and bolts. Attach the mounting hanger to the rubber insulator. Next, slip the tail pipe assembly inlet over the muffler assembly outlet, attach the mounting hanger to the rubber insulator. Secure using the supplied clamp. Working front to rear install the rest of the system locating the hangers into the existing rubber insulators.

Step 4: With all components mounted loosely, adjust the system for overall aesthetics and clearance of frame & bodywork. (MAGNAFLOW recommends at least 1/2" of clearance between the exhaust system and any body panels to prevent heat-related body damage or fire.)

Step 5: Once a final position has been chosen for the new system, evenly tighten all fasteners from front to rear. The supplied band clamps must be VERY tight to properly align the pipes and prevent leaks (Approximately 65ft-lbs). U-bolt clamps should be tightened to approximately 30-35ft-lbs. Inspect all fasteners after 25-50 miles of operation and retighten if necessary.

*MAGNAFLOW Performance Exhaust recommends professional installation on all their products