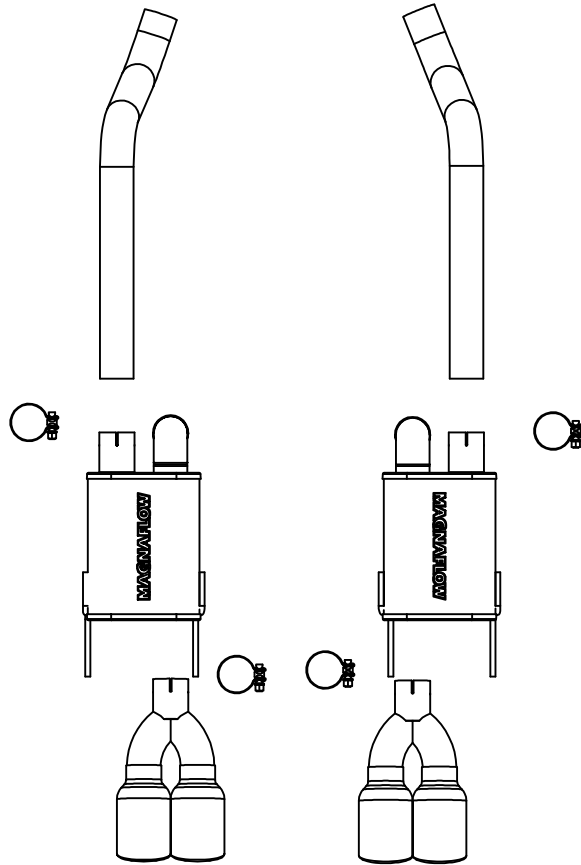


### 2005- CHEVROLET CORVETTE 6.0L V8

#### TOP VIEW



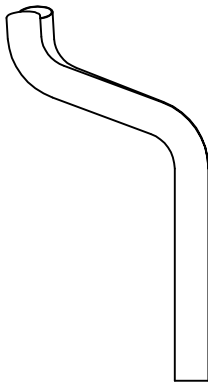
**Warning:** When working on, under, or around any vehicle exercise caution. Please allow the vehicle's exhaust system to cool before removal, as exhaust system temperatures may cause severe burns. If working without a lift, always consult vehicle manual for correct lifting specifications. Always wear safety glasses and ensure a safe work area. Serious injury or death could occur if safety measures are not followed.

**Step 1:** (Carefully read all instructions before installation) Disconnect the vehicle's battery before removal of the OEM exhaust. This will allow the computer to reset itself with the new system, and prevent electrical accidents. Begin removal of the OEM muffler assemblies by loosening the clamps that fasten the mufflers to the H-pipe. To aid in removal of the OEM muffler assemblies, especially in automatic trans. applications, you may need to rotate the assemblies forward then cut the inlet pipes just after the bend to go up over the axles. The mufflers can then be rotated rearward and removed from the vehicle.

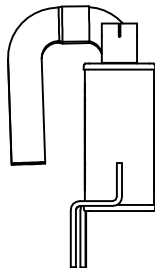
**Step 2:** Working from the rear forward, begin by fitting the welded hangers on the passenger and driver side mufflers into the OEM rubber insulators. Install the over-axle pipes using the supplied 2.50" band clamps and the OEM hardware. Leave all clamps and fasteners loose for final adjustment of the complete system. With the system now loosely in place, you can install the tips using the supplied clamps.

### 2005- CHEVROLET CORVETTE 6.0L V8

FRONT OF VEHICLE



BOTTOM



TOP



REAR

**Warning:** When working on, under, or around any vehicle exercise caution. Please allow the vehicle's exhaust system to cool before removal, as exhaust system temperatures may cause severe burns. If working without a lift, always consult vehicle manual for correct lifting specifications. Always wear safety glasses and ensure a safe work area. Serious injury or death could occur if safety measures are not followed.

**Step 3:** With all components mounted loosely, adjust the system for overall aesthetics and clearance of frame & bodywork. When installing the muffler assemblies, be sure to allow at least 5/8" clearance between the back of the muffler body and the inside of the bumper. The adjustment process may be time consuming to achieve optimal results; each joint will have an effect on the tip alignment, up/down and right/left. (MAGNAFLOW recommends at least 1/2" of clearance between the exhaust system and any body panels to prevent heat-related body damage or fire.)

**Step 4:** Once a final position has been chosen for the new system, evenly tighten all fasteners from front to rear, and connect the battery. The supplied band clamps must be VERY tight to properly align the pipes and prevent leaks (Approximately 65ft-lbs). Inspect all fasteners after 25-50 miles of operation and retighten if necessary.

\*MAGNAFLOW Performance Exhaust recommends professional installation on all their products