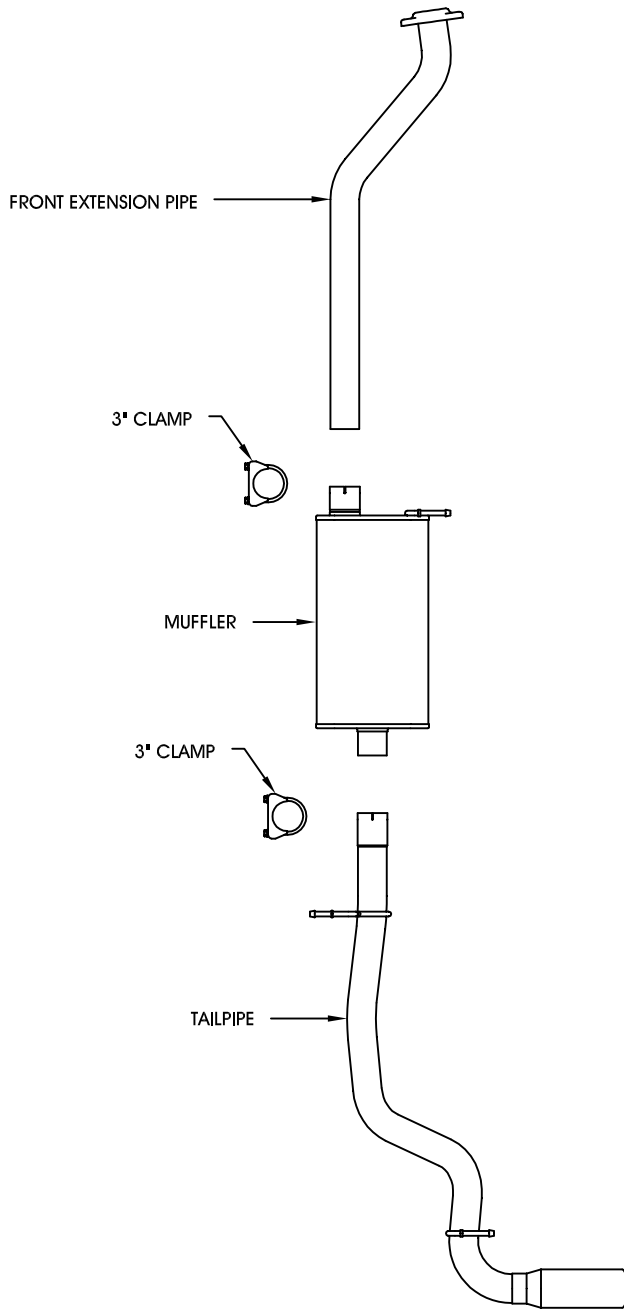


2003- GM SILVERADO/SIERRA 1500 V8 5.3L EC/SB & CC/SB



Warning: When working on under or around any vehicle exercise caution. Please allow the vehicle's exhaust system to cool before removal, as exhaust system temperatures may cause severe burns. If working without a lift, always consult vehicle manual for correct lifting specifications. Always wear safety glasses and ensure safe work area. Serious injury or death could occur if safety measures are not followed.

Step 1: (Carefully read all instructions before installation)

To remove the OEM exhaust system, unbolt the front muffler extension from the catalytic converter extension at the 2-bolt flange. Do not discard the OEM fasteners, as they will be re-used to mount the new system. Remove the exhaust from the OEM rubber insulators. Do not damage the OEM rubber insulators, as they will be re-used to mount the new system.

Step 2: To begin installation, attach the new front extension pipe to the catalytic converter extension at the 2-bolt flange with the OEM fasteners. Leave all components loose for final adjustment. Install the muffler by sliding the inlet end over the outlet of the front extension pipe and by fitting the welded hanger into the OEM rubber insulator. Install the tailpipe by sliding the inlet end over the outlet end of the muffler and by fitting the welded hangers into the OEM rubber insulators.

Step 3: With all components mounted loosely, adjust the system for overall aesthetics and clearance of frame & bodywork. (MAGNAFLOW recommends at least 1/2" of clearance between the exhaust system and any body panels to prevent heat-related body damage or fire.)

Step 4: Once a final position has been chosen for the new system, evenly tighten all fasteners from front to rear. Inspect all fasteners after 25-50 miles of operation and retighten if necessary.

*MAGNAFLOW Performance Exhaust recommends professional installation on all their products