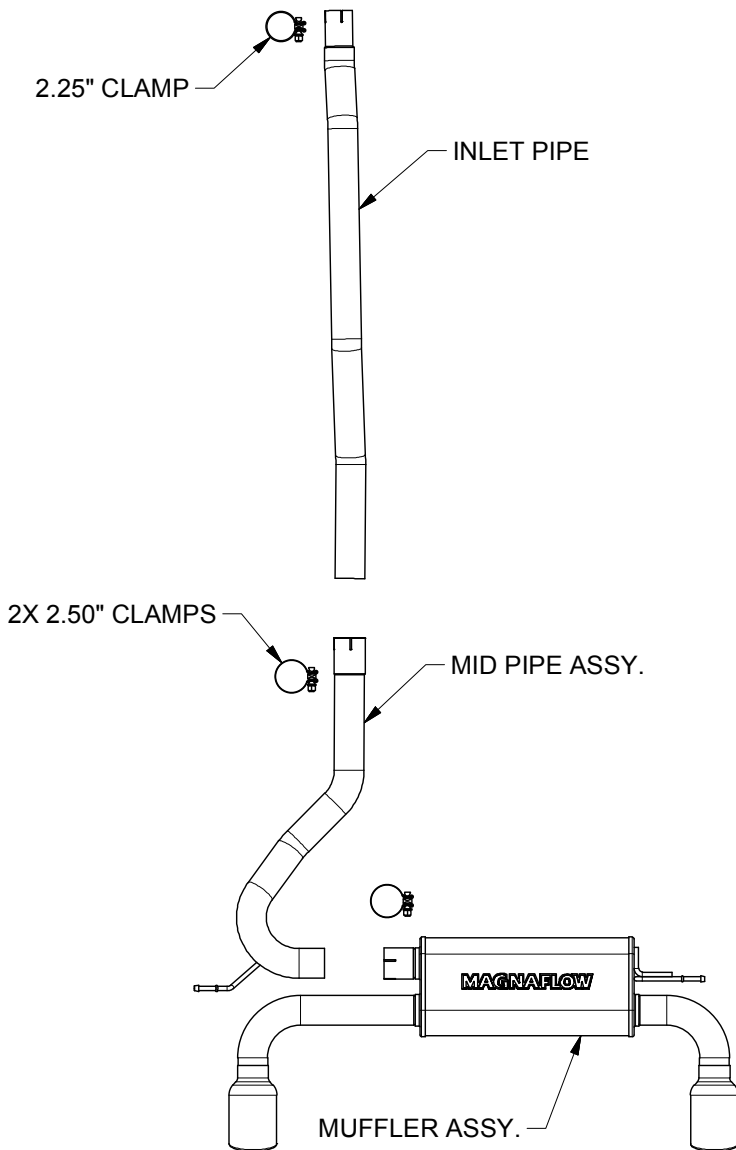


### 2011 Mini Countryman S 1.6L



**Warning:** When working on, under, or around any vehicle exercise caution. Please allow the vehicle's exhaust system to cool before removal, as exhaust system temperatures may cause severe burns. If working without a lift, always consult vehicle manual for correct lifting specifications. Always wear safety glasses and ensure a safe work area. Serious injury or death could occur if safety measures are not followed.

**Step 1:** (Carefully read all instructions before installation) Begin removal of your OEM exhaust system by first cutting the inlet pipe 4.25" rearward of the front resonator. Remove all welded hangers from the rubber isolators. The exhaust can now be removed. Retain all mounting hardware as it will be needed to mount your new MAGNAFLOW performance exhaust system.

**Step 2:** Install your new system by first slipping the reduced end of the inlet pipe over the outlet pipe you have cut rearward of the resonator. Loosely secure using the supplied 2.25" clamp. Install the mid pipe assembly and the muffler assembly in a similar fashion loosely secure using the supplied 2.50" clamps.

**Step 2:** With all components mounted loosely, adjust the system for overall aesthetics and clearance of frame & bodywork. (MAGNAFLOW recommends at least 1/2" of clearance between the exhaust system and any body panels to prevent heat-related body damage or fire.)

**Step 3:** Once a final position has been chosen for the new system, evenly tighten all fasteners from front to rear. The supplied band clamps must be VERY tight to properly align the pipes and prevent leaks (Approximately 40ft-lbs). U-bolt clamps should be tightened to approximately 30-35ft-lbs. Inspect all fasteners after 25-50 miles of operation and retighten if necessary.

**\*\* Magnaflow Performance Exhaust recommends professional installation on all their products**