



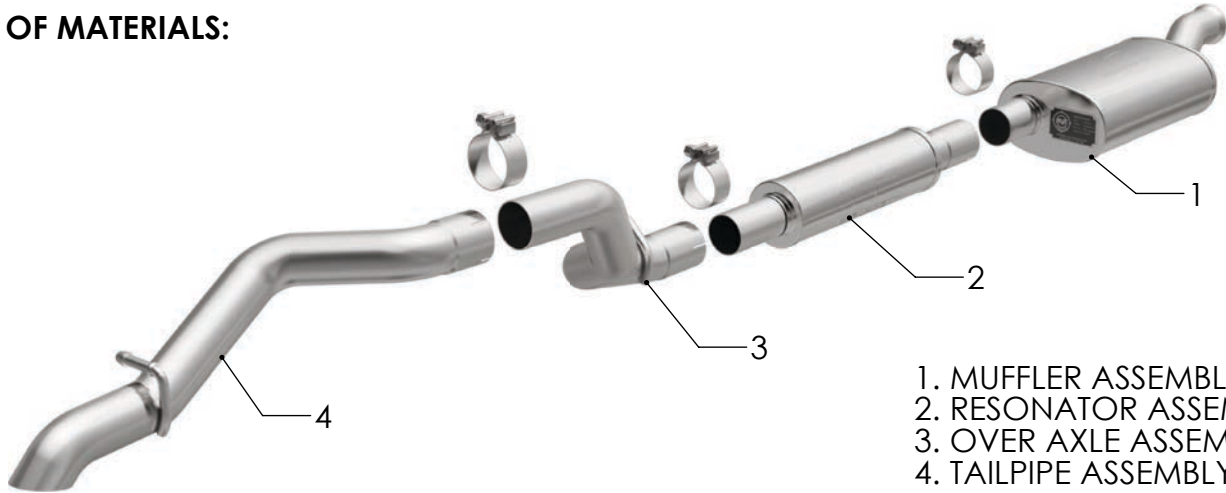
INSTALLATION INSTRUCTIONS



JEEP WRANGLER JL 3.6L

PART NO. 19592

BILL OF MATERIALS:



- 1. MUFFLER ASSEMBLY
- 2. RESONATOR ASSEMBLY
- 3. OVER AXLE ASSEMBLY
- 4. TAILPIPE ASSEMBLY



WEAR SAFETY GLASSES



READ INSTRUCTIONS THOROUGHLY BEFORE INSTALLING PRODUCT



SPRAY LUBRICANT

To ease removal of existing exhaust components (especially on older vehicles) spray penetrating lubricant on all fasteners and hangers/insulators that will be loosened or removed and let soak before disassembly.

HARDWARE KIT:

- 1. [3] 2.50" Band Clamp

MINIMUM REQUIRED TOOLS:



15mm



Hanger Tool (Or Pry Bar)

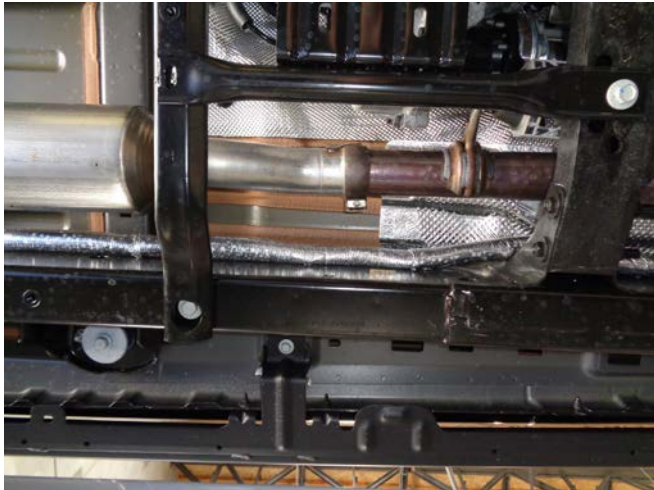
MAGNAFLOW RECOMMENDS PROFESSIONAL INSTALLATION ON ALL THEIR PRODUCTS



WARNING: When working on, under, or around any vehicle exercise caution. Please allow the vehicle's exhaust system to cool before removal, as exhaust system temperatures may cause severe burns. If working without a lift always consult vehicle manual for correct lifting specifications. Always wear safety glasses and ensure a safe work area. Serious injury or death could occur if safety measures are not followed.

ATTENTION: Always install any supplied band or V-band clamps to the proper torque specifications of 40-45 ft-lbs for band clamps and 70 in-lbs for V-band clamps. Over tightening will result in the clamp breaking and will NOT be warranted by MagnaFlow.

INSTALLATION INSTRUCTIONS



Begin removal of the OEM exhaust system by loosening the clamp attaching the exhaust to the catalytic converter.



With the system supported, working front to rear disengage the hangers from rubber insulators and remove the OEM system. Do not discard or damage the clamp or rubber insulators as they will be used to install the new system.



Begin installation of your new MAGNAFLOW system by attaching the Muffler Assembly to the catalytic converter outlet using the OEM clamp. Engage the welded hanger to the rubber insulators. Keep all fasteners and clamps loose until final adjustment.



Next attach the Resonator Assembly inlet to the Muffler Assembly outlet using the supplied clamp.

INSTALLATION INSTRUCTIONS



Next loosely install the Over-Axle Assembly using the supplied clamp. Locate the welded hanger to the rubber insulator.



loosely install the Tailpipe Assembly to the Over-Axle Assembly using the supplied clamp. Locate the welded hanger to the rubber insulator.

