

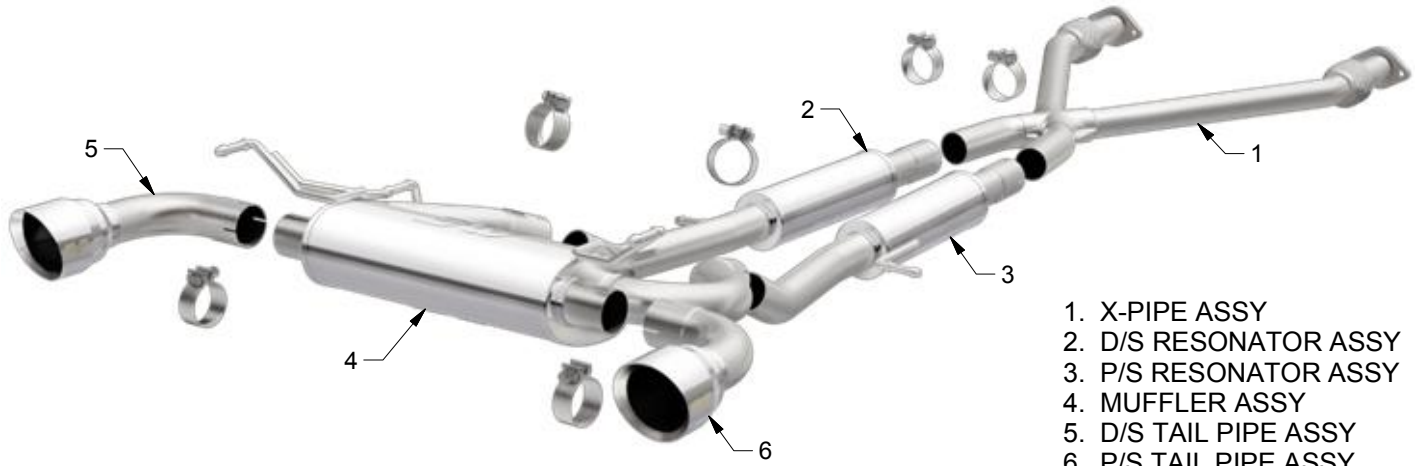


INSTALLATION INSTRUCTIONS



2009-2015 NISSAN 370Z 3.7L | PART NO. 19135

BILL OF MATERIALS:



- 1. X-PIPE ASSY
- 2. D/S RESONATOR ASSY
- 3. P/S RESONATOR ASSY
- 4. MUFFLER ASSY
- 5. D/S TAIL PIPE ASSY
- 6. P/S TAIL PIPE ASSY



WEAR SAFETY GLASSES



READ INSTRUCTIONS THOROUGHLY BEFORE INSTALLING PRODUCT

SHOP SUPPLIES:



SPRAY LUBRICANT

To ease removal of existing exhaust components (especially on older vehicles) spray penetrating lubricant on all fasteners and hangers/insulators that will be loosened or removed and let soak before disassembly.

HARDWARE KIT:

- 1. [6] 2.50" Clamp

MINIMUM REQUIRED TOOLS:



15mm
13mm



Hanger Tool
(Or Pry Bar)

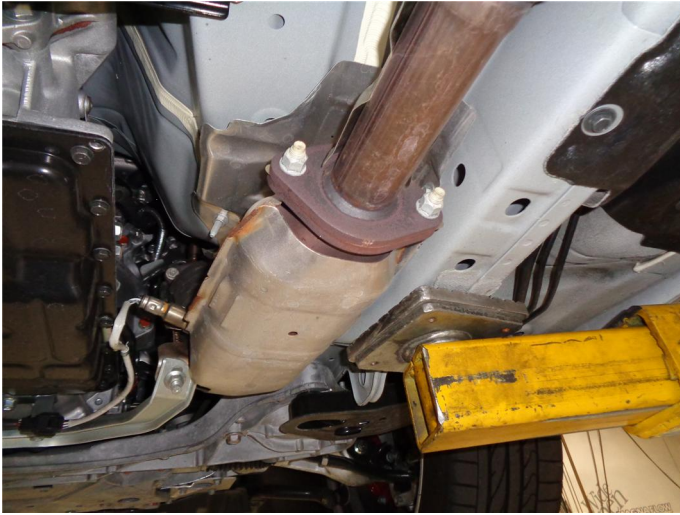
MAGNAFLOW RECOMMENDS PROFESSIONAL INSTALLATION ON ALL THEIR PRODUCTS



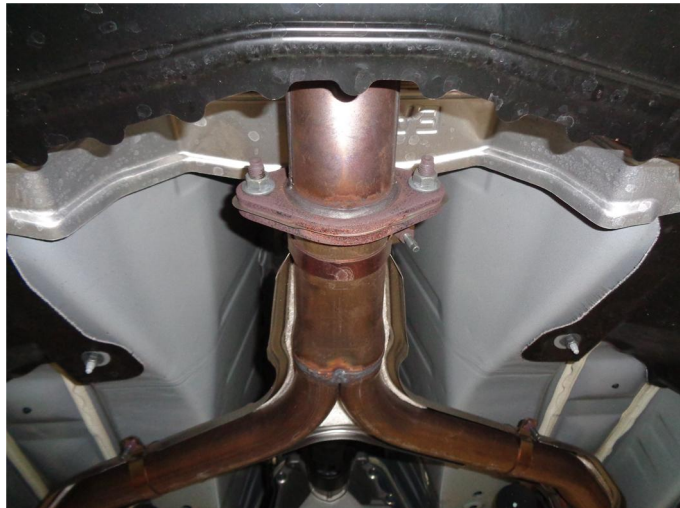
WARNING: When working on, under, or around any vehicle exercise caution. Please allow the vehicle's exhaust system to cool before removal, as exhaust system temperatures may cause severe burns. If working without a lift always consult vehicle manual for correct lifting specifications. Always wear safety glasses and ensure a safe work area. Serious injury or death could occur if safety measures are not followed.

ATTENTION: Always install any supplied band or U-bolt clamps to the proper torque specifications of 40-45 ft-lbs for band clamps and 30-35 ft-lbs for U-bolt clamps. Over tightening will result in the clamp breaking and will NOT be warranted by MagnaFlow.

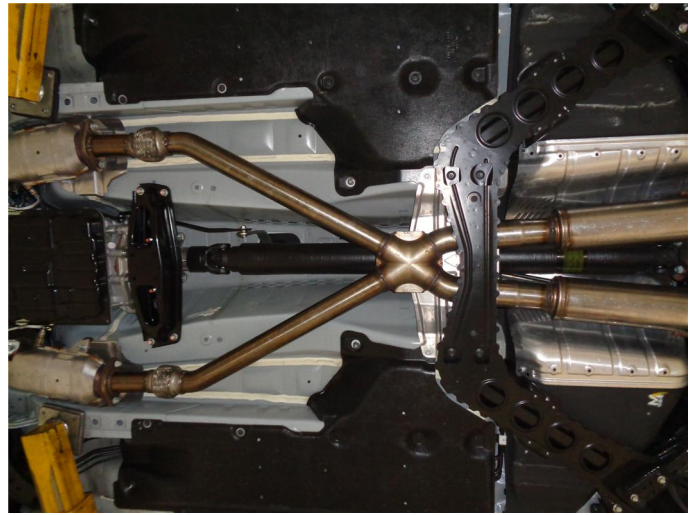
INSTALLATION INSTRUCTIONS



Step 1. Begin removal of the OEM exhaust by unbolting the inlet pipes from the catalytic converters at the flange junctions.



Step 2. Unbolt the flanges coupling the inlet pipe assembly to the resonator assembly. You may also unbolt the muffler assembly to ease the system removal process. Working front to rear disengage all welded hangers from the rubber insulators. Retain all mounting hardware as it will be needed to install your new MAGNAFLOW system.

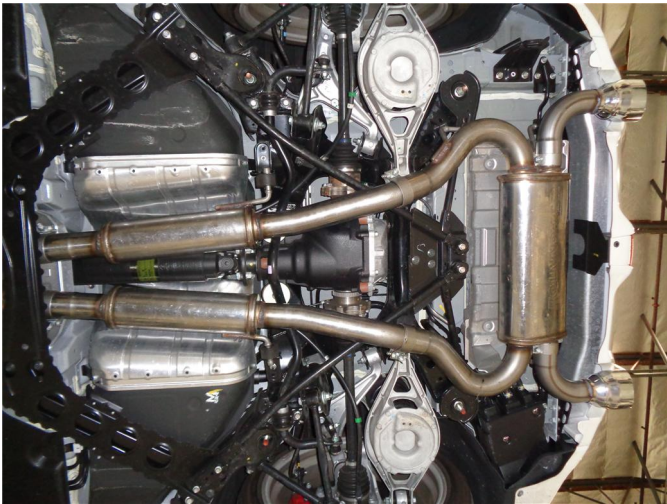


Step 3. Install the new X-Pipe Assembly by loosely bolting it to the catalytic converter outlets using the OEM gaskets and fasteners.



Step 4. Next loosely attach both Resonator Assemblies to the X-Pipe Assembly outlets using the supplied clamps. Locate both welded hangers to the rubber insulators.

INSTALLATION INSTRUCTIONS



Step 5. Install the Muffler Assembly by loosely attaching the inlets to the Resonator Assembly outlets using the supplied clamps. Locate the welded hangers to the rubber insulators.



Step 6. Install both Tail Pipe Assemblies to the Muffler Assembly. Loosely secure using the supplied clamps.



Step 7. Once a final position has been chosen for the new exhaust system, evenly tighten all clamps from front to rear using the torque specifications on page one of the instructions. Inspect all fasteners after 25-50 miles of operation and re-tighten if necessary.