

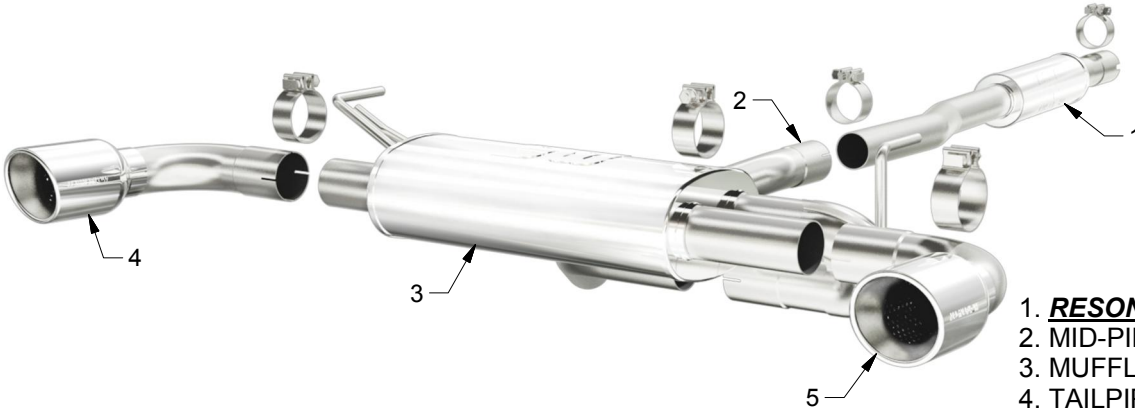


INSTALLATION INSTRUCTIONS



2014 Jeep Cherokee 3.2L 4x4 | PART NO. 15327

BILL OF MATERIALS:



- 1. **RESONATOR ASSEMBLY**
- 2. MID-PIPE
- 3. MUFFLER ASSEMBLY
- 4. TAILPIPE ASSEMBLY D/S
- 5. TAILPIPE ASSEMBLY P/S



WEAR SAFETY
GLASSES



READ INSTRUCTIONS
THOROUGHLY BEFORE
INSTALLING PRODUCT

SHOP SUPPLIES:



SPRAY LUBRICANT

To ease removal of existing exhaust components (especially on older vehicles) spray penetrating lubricant on all fasteners and hangers/insulators that will be loosened or removed and let soak before disassembly.

HARDWARE KIT:

- 1.[5] 2.50" Clamp

MINIMUM REQUIRED TOOLS:



15mm



Hanger Tool
(Or Pry Bar)

INSTALLATION INSTRUCTIONS



Step 1. Begin removal of the OEM exhaust system by loosening the clamp behind the "Y" collector.



Step 2. Disengage hangers from rubber insulators and remove the OEM exhaust.



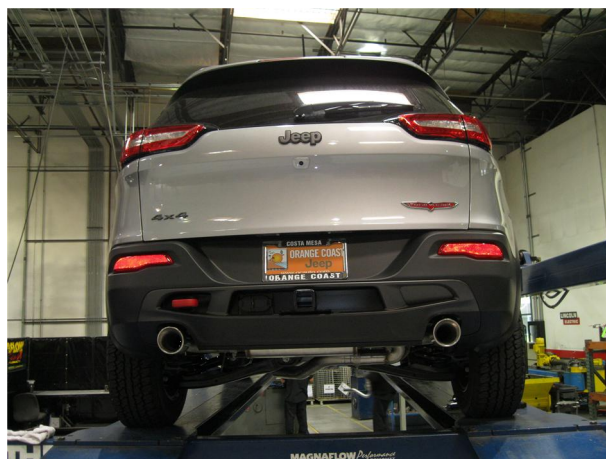
Step 3. Begin installation of your new MAGNAFLOW system by attaching the Resonator Assembly to the "Y" collector outlet using the supplied 2.50" clamp. Keep all fasteners and clamps loose until final adjustment.



Step 4. Next use the supplied 2.50" clamp to attach the Mid-Pipe to the Resonator Assembly.



Step 5. Next use the supplied 2.50" clamps to attach the Muffler Assembly to the Mid Pipe and the Tail Pipe Assemblies to the Muffler. Fit hangers into rubber insulators.



Step 6. Once a final position has been chosen for the new exhaust system, evenly tighten all clamps from front to rear using the torque specifications on page one of the instructions. Inspect all fasteners after 25-50 miles of operation and re-tighten if necessary.