

# **MAD-RAMPS**

## **MR0206** MAD-RAMPS Flatbed Kit Installation Instructions

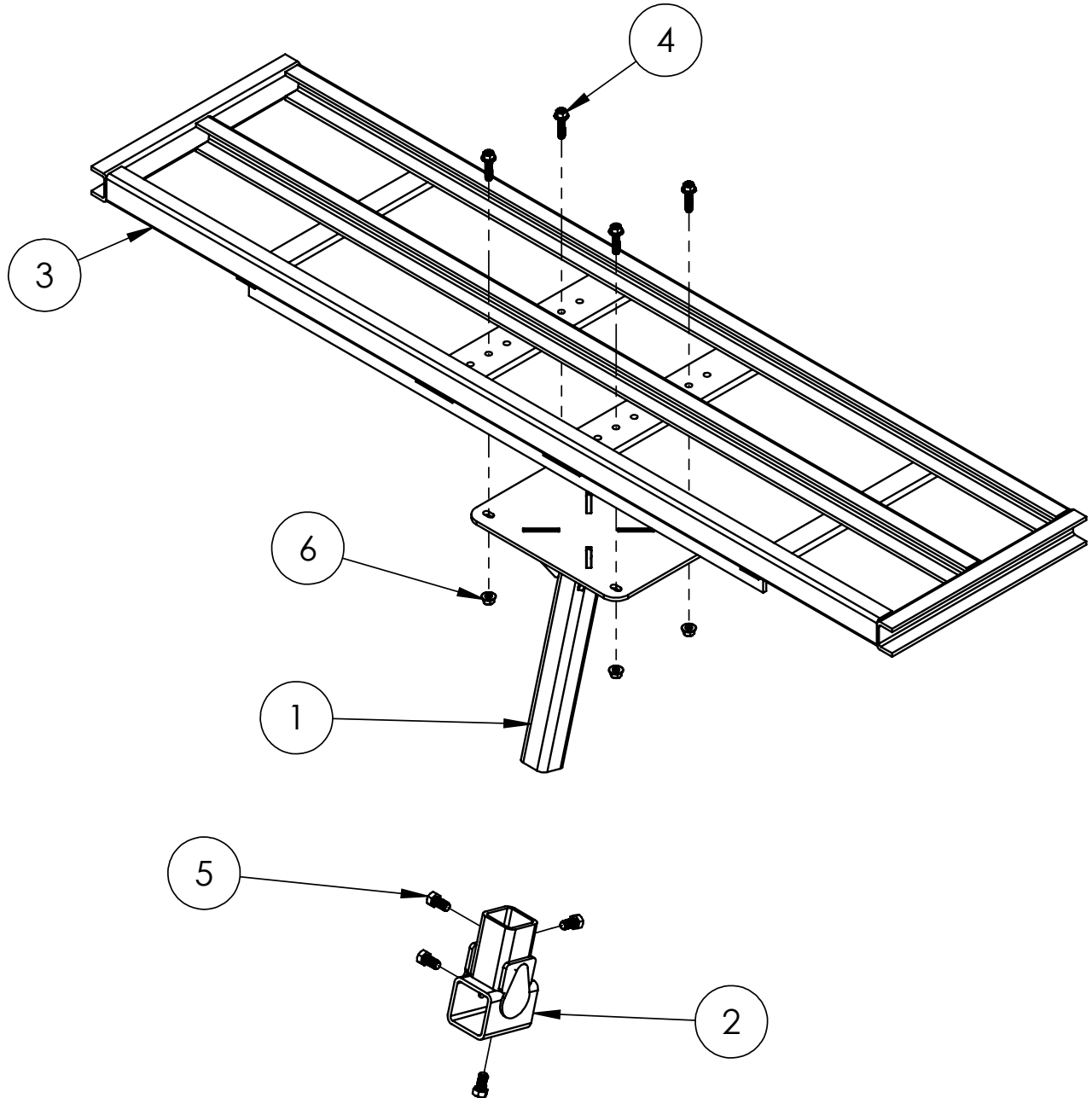


### **THE MAD-RAMPS FLATBED KIT OWNER'S MANUAL**

**Please read this manual entirely prior to assembly or operation of  
the MAD-RAMPS with Flatbed Kit.**

# MR0206 MAD-RAMPS Flatbed Kit

## Installation Instructions



Item No.	Part No.	Description	Qty.
1.....	61-8321.....	Flatbed Extension Mount .....	1
2.....	61-8352.....	Flatbed Extension Tube Mount .....	1
3.....	61-8359.....	66" Flatbed Extension.....	1
4.....	201-1034.....	3/8"-16 x 1-1/2" Whiz Flange Bolt, Grade 5, FT, ZP .....	4
5.....	201-1123 .....	1/2"-13 x 1" Hex Head Bolt, Grade 5, ZP .....	4
6.....	202-0071.....	3/8"-16 Hex Flange Whiz Lock Nut, ZP.....	4

# MRO206 MAD-RAMPS Flatbed Kit

## Installation Instructions

Thank you for purchasing the MAD-RAMPS Flat Bed Kit. Your MAD-RAMPS are now more versatile than ever, allowing you to load, unload, and transport your machine on both standard truck beds and now flat beds.

### Installing & Using MAD-RAMPS Flatbed Kit

#### Step 1:

Pre-thread four of the provided jam bolts into the Base, and then slide the Base onto the receiver end of the Main Arm (The Base slides onto the Main Arm first, and then the Bumper Guard). Position the Base on the Main Arm as close to the angled end as possible without touching the weld on the Main Arm, as shown in Figure 1. Once the Base is in its proper position, tighten and then torque the two jam bolts that affix the Base to the Main Arm to 70 ft/lbs. each.



**Figure 1**

**Note:** If the Flat Bed Kit is purchased after the initial assembly of The MAD-RAMPS Pivoting Ramp System, the Bumper Guard must be removed prior to installing the Flat Bed Kit. Once the Bumper Guard, tighten and then torque the two jam bolts in the Bumper Guard back to 70 ft/lbs each.

#### STEP 2:

Insert the Pedestal into the Base. Once the Pedestal is inserted into the Base, tighten and then torque the two jam bolts that affix the Pedestal to the base to 70 ft/lbs. each.

Continued on Page 4

# MR0206 MAD-RAMPS Flatbed Kit

## Installation Instructions

### STEP 3:

Place the Virtual Tailgate on top of the Pedestal's platform, and align the pre-drilled holes of the Pedestal with the pre-drilled holes of the Virtual Tailgate, as shown in Figure 2. Use the four provided 3/8" bolts, washers, and lock nuts to secure the Virtual Tailgate to the Pedestal. Fully tighten and then torque the four bolts to 23 ft/lbs. each.



Figure 2

Figure 3 below, shows the Flat Bed Kit when fully assembled and properly installed on The MAD-RAMPS Pivoting Ramp System.



Figure 5

**\*\*As an important reminder, always remember to periodically check the jam bolts on every part of your MAD-RAMPS Pivoting Ramp System. These bolts sometimes need to be re-tightened and re-torqued.\*\***