

MAD-RAMPS™

MR0105
MAD-RAMPS
Ramp Extensions
Installation Instructions

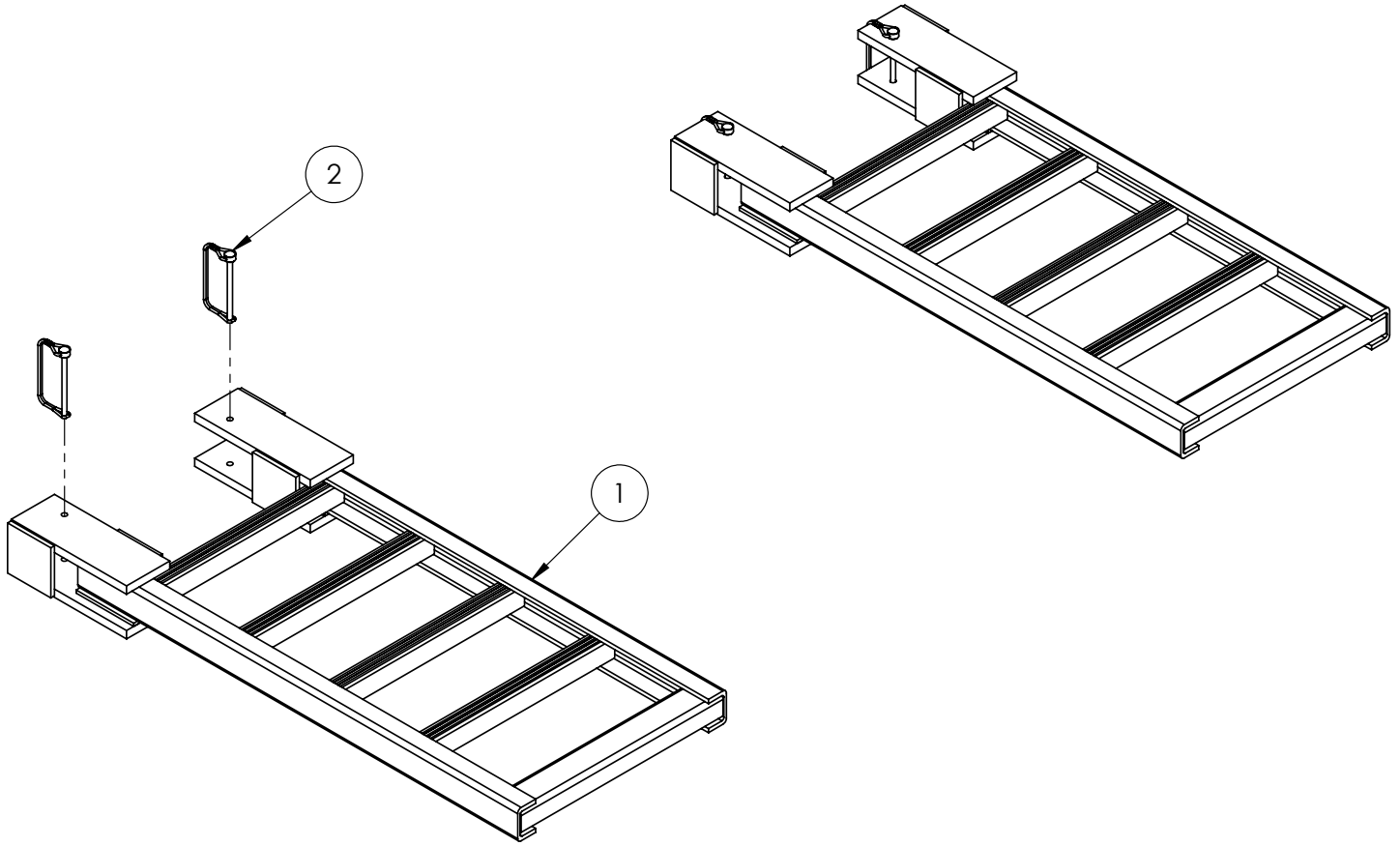


THE MAD-RAMPS RAMP EXTENSIONS OWNER'S MANUAL

Please read this manual entirely prior to assembly or operation of the MAD-RAMPS with Ramp Extensions.

MR0105 MAD-RAMPS Ramp Extensions

Installation Instructions



Item No.	Part No.	Description	Qty.
1.....	61-8317	Aluminum Ramp Extension	2
2.....	229-1159	1/4" x 3-5/8" Clevis Pin w/ Square Wire Retainer, ZP.....	4

MR0105 MAD-RAMPS Ramp Extensions

Installation Instructions

The Ramp Extensions for the MAD-RAMPS Pivoting Ramp System are an essential accessory for trucks with receiver hitch heights greater than 24 inches from the ground. When installed, the Ramp Extensions reduce the incline angle of the ramps for safer and easier loading and unloading of your machine.

Installing & Using MAD-RAMPS Ramp Extensions

Step 1:

To attach the extensions, slide one extension onto the end of one aluminum ramp. The extensions are interchangeable between the left and right side, they are not side specific. Insert two retainer pins into the pre-drilled holes to secure the extension to the aluminum ramp (Figure 1). Repeat the process for the extension and the ramp on the other side (Figure 2).

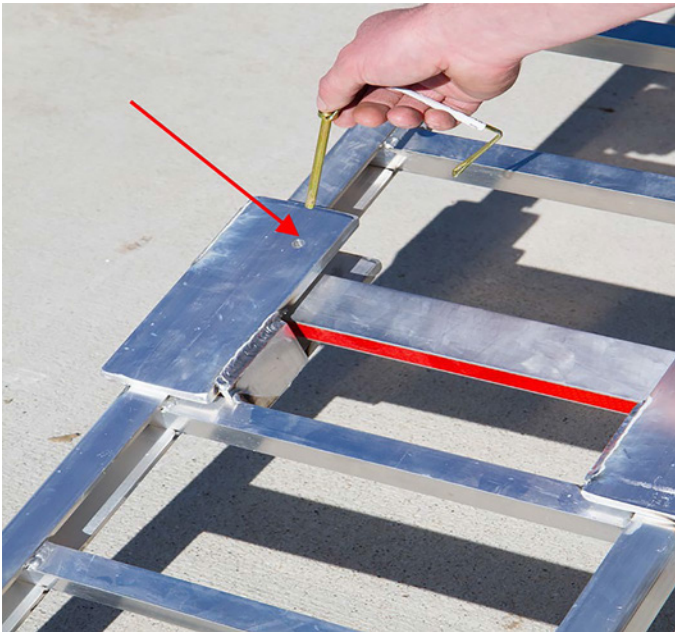


Figure 1

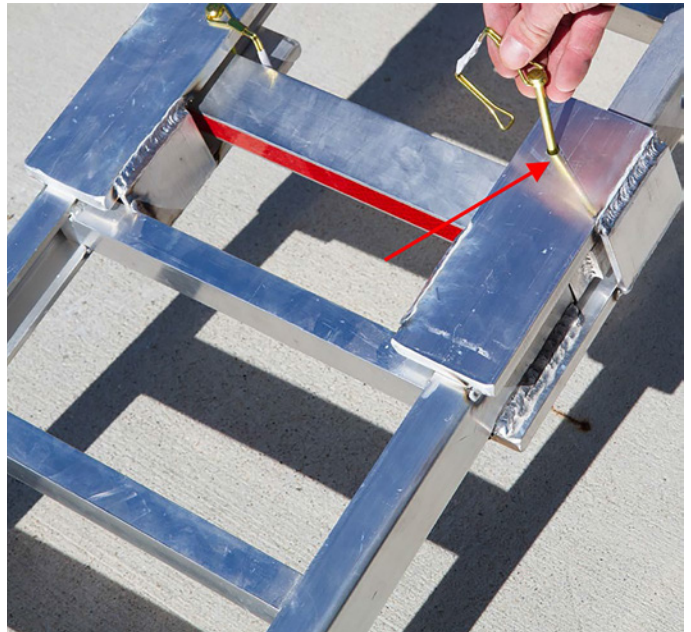


Figure 2

MR0105 MAD-RAMPS Ramp Extensions

Installation Instructions

STEP 2:

To detach each extension, once you have loaded your machine, simply pull the two retainer pins and remove the extension (Figures 3 and 4). Repeat the process for the extension on the other side.

Note: Extensions must be detached and safely stored for transport. Be sure to put the retainer pins back in the extensions so they are stowed away and ready for future use.



Figure 3



Figure 4

Figure 5 below illustrates the reduced angle for loading and unloading that is achieved with the Ramp Extensions in comparison to the standard-length ramps.

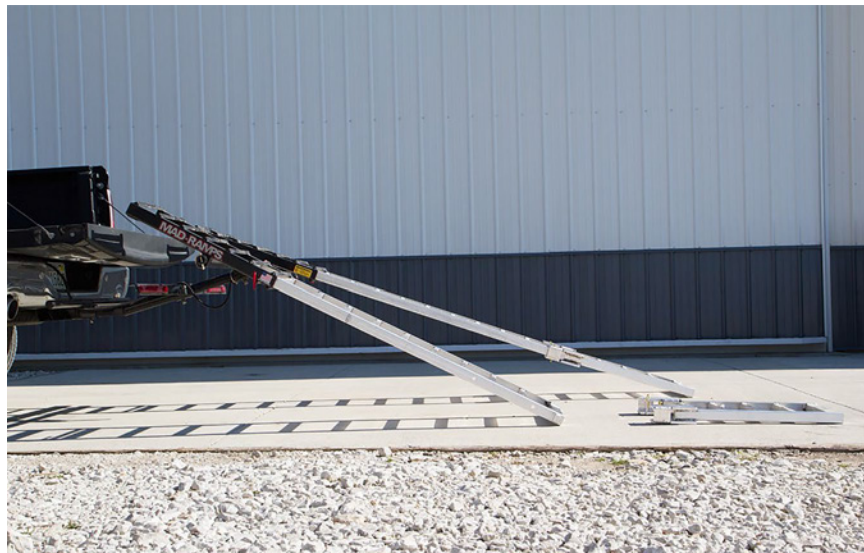


Figure 5

STEP 3:

To unload your machine, simply reattach the extensions.