

MAD-RAMPS™

MR0104
MAD-RAMPS Bed Guards
Installation Instructions

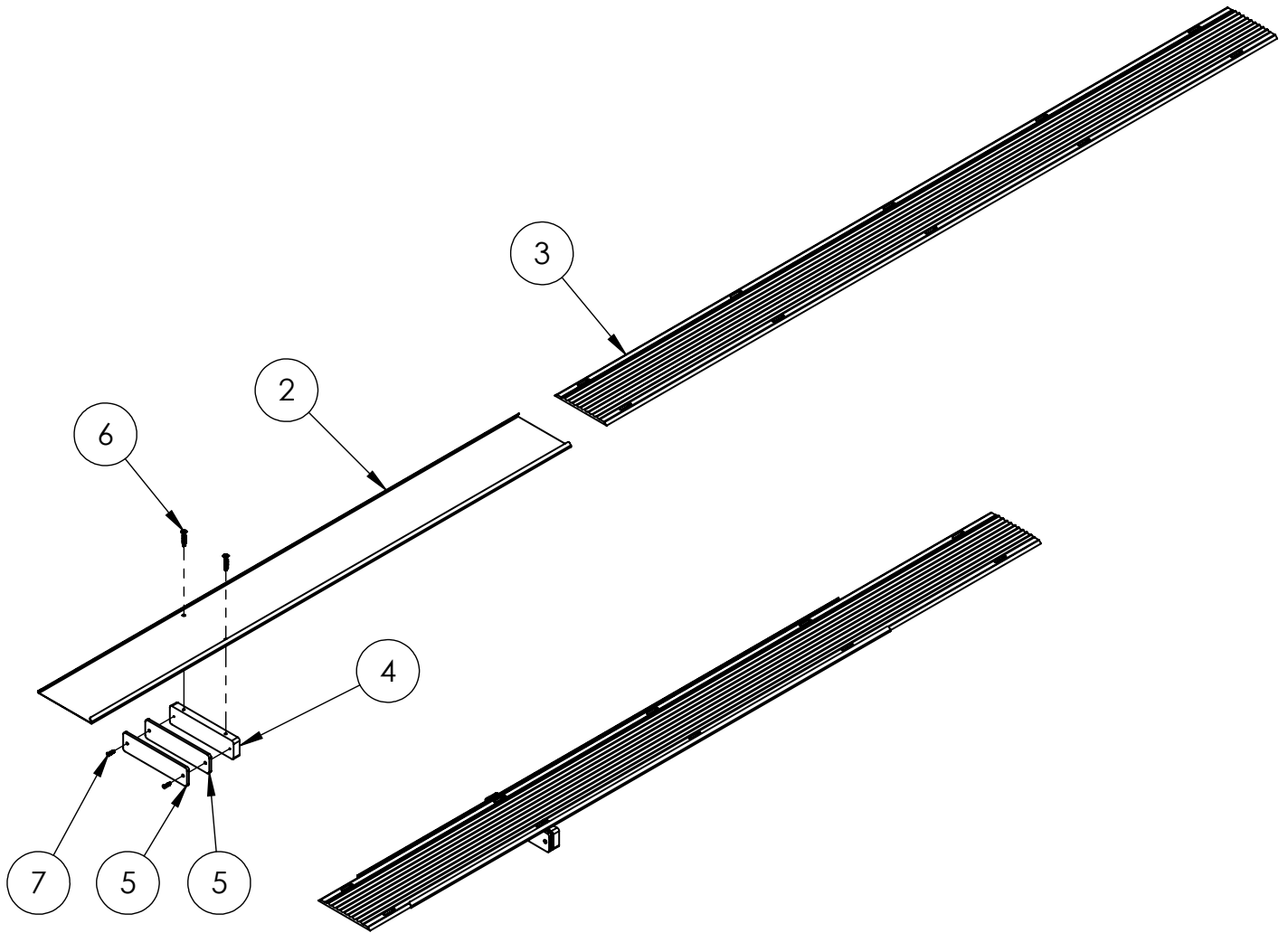


THE MAD-RAMPS BED GUARDS OWNER'S MANUAL

Please read this manual entirely prior to assembly or operation of the MAD-RAMPS with Bed Guards.

MR0104 MAD-RAMPS Bed Guards

Installation Instructions



Item No.	Part No.	Description	Qty.
1.....	63-4770(not shown)	Bolt Bag with Manual Package.....	1
2.....	101-10412	Ski Guide Plate.....	2
3.....	190-0235	Ski Guide.....	2
4.....	190-0236	Spacer	2
5.....	190-0237	Shim	4
6.....	201-1125	1/4"-10 x 1-1/2 Round Head Torx, ZP.....	4
7.....	201-1126(not shown)	#10-14 x 3/4" Flat Head Torx, ZP	4
8.....	229-1157(not shown)	T20 x 2" Torx.....	1

MR0104 MAD-RAMPS Bed Guards

Installation Instructions

The Bed Guards for the MAD-RAMPS Pivoting Ramp System are an essential accessory for trucks to help protect the tailgate and box from damage. The carbides under most snowmobile skis are sharp enough to eventually cut through the metal of the tailgate and box.

USE CAUTION THE EDGES MAY BE SHARP

Installing & Using MAD-RAMPS Bed Guards

Step 1:

Included are four (4) 1/4" thick poly shims and torx screws. Up to two (2) can be added to the front or back of each poly stop. Shims are necessary if the gap between the tailgate and box is over 3/4". This is due to the variances in different makes and models of trucks. Be sure to keep extra or unused items for possible future use.

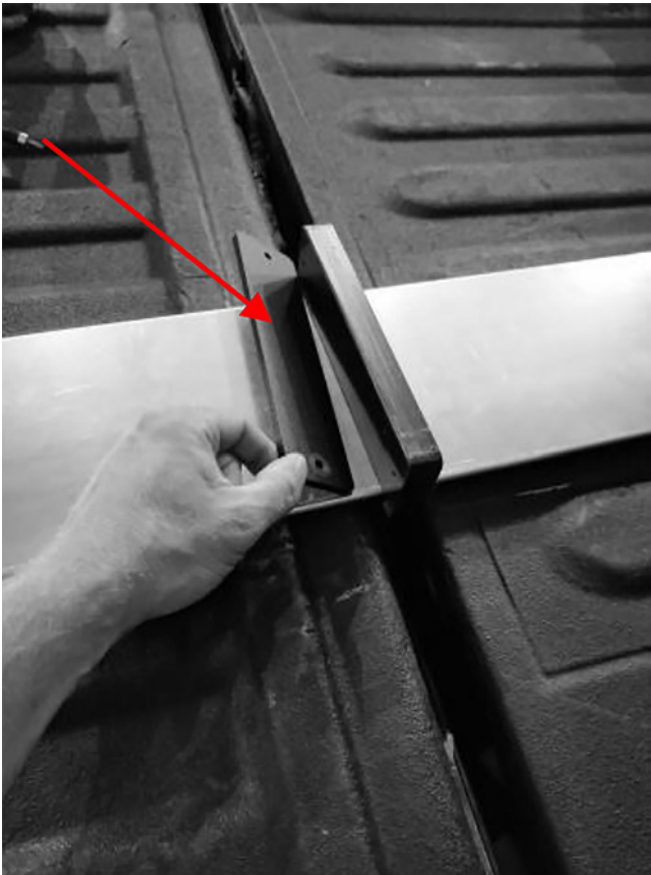


Figure 1

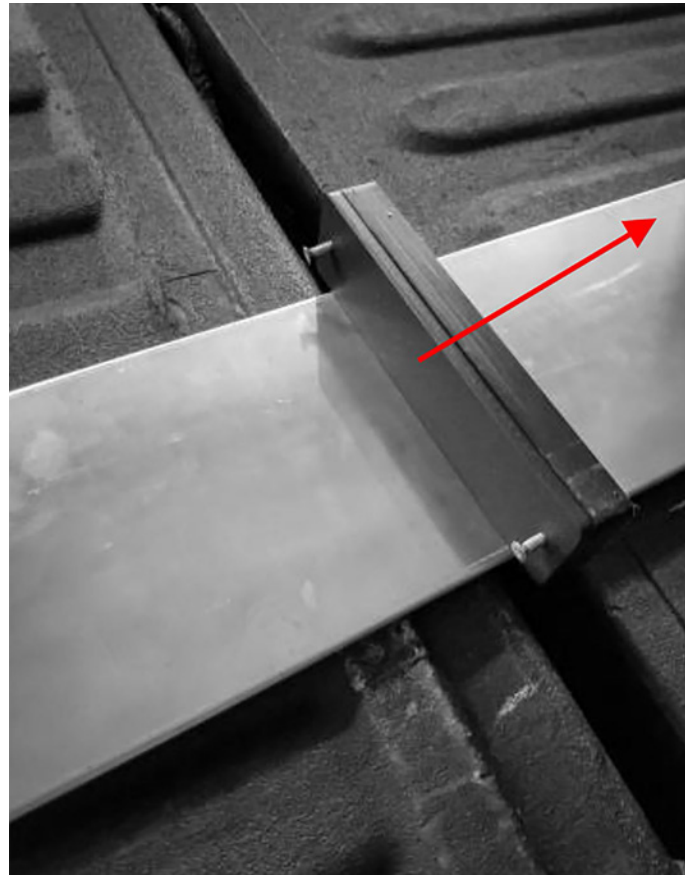


Figure 2

MR0104 MAD-RAMPS Bed Guards

Installation Instructions

STEP 2:

Simply line up the Bed Guards with the stance of your machines skis. **Note:** Bed Guards must be removed and stored before traveling when not in use.



Figure 3



Figure 4



Figure 5