

# MAD-RAMPS™

MR0103  
MAD-RAMPS Snowmobile  
Conversion Kit  
Installation Instructions



## THE MAD-RAMPS SNOWMOBILE CONVERSION KIT OWNER'S MANUAL

Please read this manual entirely prior to assembly or operation of the MAD-RAMPS Snowmobile Conversion Kit.

# MR0103 MAD-RAMPS Snowmobile Conversion Kit

## Installation Instructions

### GENERAL SAFETY RULES

**⚠ WARNING:** Never exceed truck manufacturer's maximum tongue-weight rating or truck's payload capacity. Vehicle specific information can be found in your truck's owner's manual.

**⚠ WARNING:** When using the MAD-RAMPS Pivoting Ramp System, basic safety precautions should always be followed to reduce the risk of personal injury or damage to your equipment.

**⚠ WARNING:** During the loading and unloading processes, all persons must stand clear of MAD-RAMPS. Make sure no persons or animals are under or near the ramps or truck bed when loading or unloading your machine.

**Reminder:** All loading and unloading must be done on a flat, level, and dry surface.

**⚠ WARNING:** Prior to each use, check for any worn, loose, or damaged components on the MAD-RAMPS Pivoting Ramp System. If any damage is present, **DO NOT USE THE RAMPS.**

**⚠ WARNING:** Do not add to or modify the MAD-RAMPS Pivoting Ramp System in any way. Any modifications will void all warranties and may affect the structural integrity of MAD-RAMPS.

**⚠ WARNING:** Prior to each use, verify that all bolts on the MAD-RAMPS Pivoting Ramp System are properly torqued to 70 ft/lbs each. This routine inspection is required to ensure product components do not loosen or shift during use or transport.

### PERSONAL SAFETY

- Avoid working alone. If an accident occurs, a second person can bring help.
- Keep your work area clean. Cluttered work areas can contribute to accidents.
- Observe work area conditions. Keep work area well lighted at all times.
- Dress properly. Avoid wearing loose clothing or jewelry as they can get caught in moving parts.
- Do not overreach. Keep proper footing and balance at all times.
- Do not use MAD-RAMPS under the influence of drugs or alcohol. Read warning labels on prescription medication to determine if your judgment or reflexes may be impaired while taking medication. If there is any doubt, **DO NOT USE MAD-RAMPS.**
- All ATV/UTV/Snowmobile riders should always wear helmets, eye protection, and protective clothing.
- All ATV/UTV/Golf Cart/Snowmobile drivers should be at least 16 years old with valid drivers' licenses.

# MR0103 MAD-RAMPS Snowmobile Conversion Kit

## Installation Instructions

### INTENDED USE

The MAD-RAMPS Pivoting Ramp System is intended to load, unload, and transport ATVs, UTVs, Golf Carts and Snowmobiles only. Depending on ATV/UTV/Golf Cart/Snowmobile weight, a minimum of a Class III or a Class IV receiver hitch is required for the MAD-RAMPS Pivoting Ramp System. It is imperative that you check your owner's manual to determine the tongue-weight rating for your truck's specific receiver hitch. Once you know your truck's specific tongue-weight rating, you will need to perform one quick calculation: Add together the total weight of the MAD-RAMPS Pivoting Ramp System (151 pounds) and two-thirds of the weight of your ATV, UTV, Golf Cart or Snowmobile ( $2/3 = \text{machine weight} \times 0.67$ ). After you have completed this calculation, you must make sure that the combined weight of the MAD-RAMPS Pivoting Ramp System and two-thirds of the weight of your ATV/UTV/Golf Cart/Snowmobile is less than the maximum tongue-weight rating for your truck's receiver hitch. If this combined weight is more than the maximum tongue-weight rating for your truck's receiver hitch, the MAD-RAMPS Pivoting Ramp System should NOT be used on your truck.

Furthermore, it is imperative that you closely inspect your truck's receiver hitch to determine whether it is in good working condition. You need to ensure that the structural integrity of your truck's receiver hitch has not been degraded from years of use or misuse, or from the use of highway salts and other degrading compounds that your truck may have encountered.

MAD-RAMPS are DOT compliant for highway travel in the United States. In order to maintain compliance, three straps must be used to secure your machine prior to transport. For maximum safety, it is recommended that ratchet straps be used to secure your machine for transport—two at the front of your ATV/UTV/Golf Cart/Snowmobile and one in the rear, as a minimum.

**NOTE:** When UTV/Side by Side exceeds 1,000 lbs dry weight we recommend backing the machine on the MAD-RAMP. Due to the higher weight and continuous stress load on the MAD-RAMP we make this recommendation so that more weight is carried by the pickup and less transferred to the MAD-RAMP, which decreases the continuous load and helps maintain the strength and integrity of the unit.

### MAINTENANCE

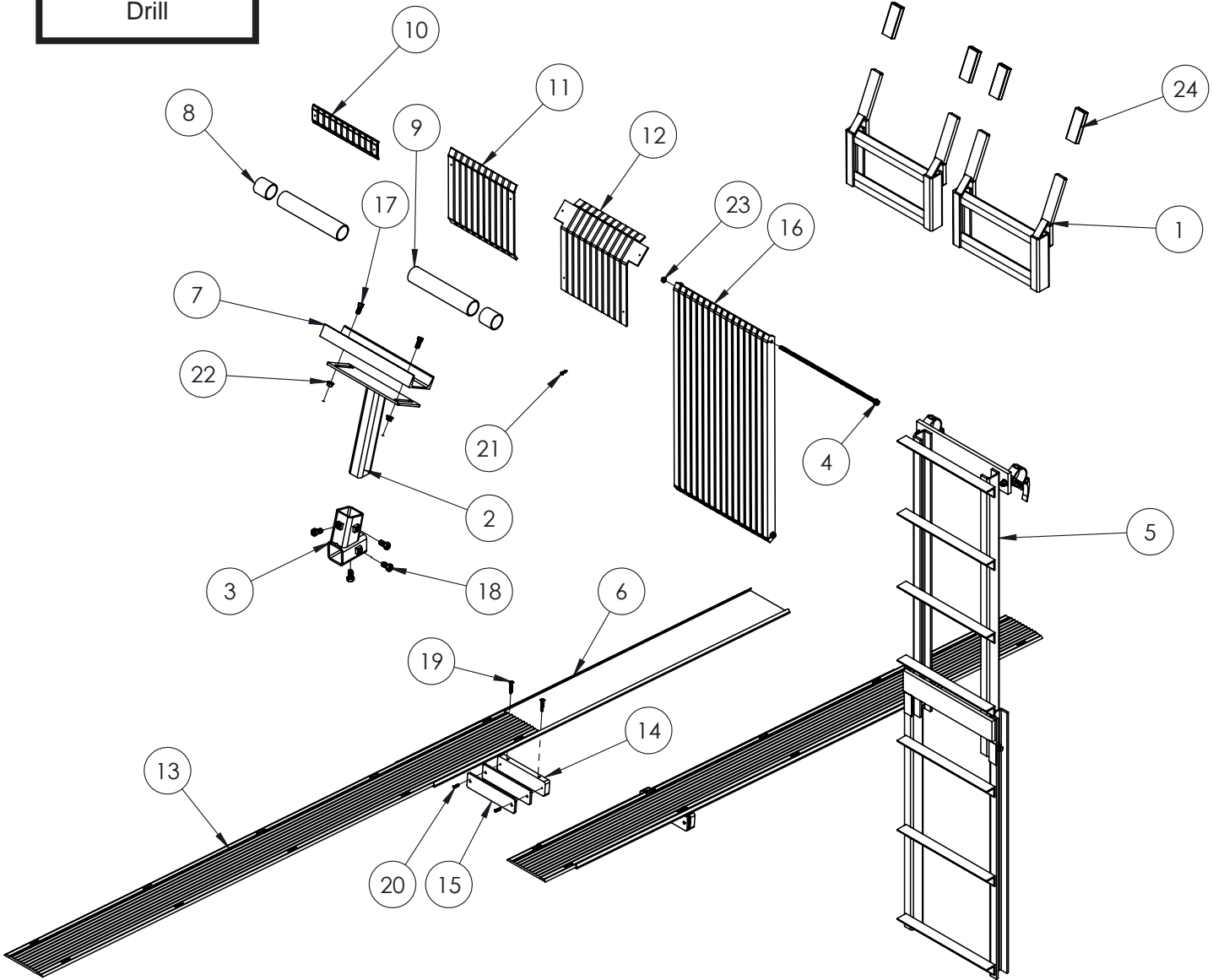
The MAD-RAMPS Pivoting Ramp System is free from any regular or scheduled maintenance. There are no bearings, grease fittings, lubrication points, etc. However, several sound practices will ensure the safety, longevity, and durability of your MAD-RAMPS for years to come.

- Keep all components clean and free from any mud or debris that can accumulate with regular use.
- Use a torque wrench to ensure all of the jam bolts are tightened to 70 ft/lbs each prior to each use.
- Periodically check to ensure proper function of brake lights, tail lights, and turn signals.
- When not in use for extended periods of time, store MAD-RAMPS indoors.

# MR0103 MAD-RAMPS Snowmobile Conversion Kit

## Installation Instructions

**Tools Required**  
1/2" Wrench  
1/2" Socket  
3/4" Wrench  
T25 Torx Bit  
Drill



# MR0103 MAD-RAMPS Snowmobile Conversion Kit

## Installation Instructions

Item No.	Part No.	Description	Qty.
1.....	61-8312.....	Pivot Stop.....	2
2.....	61-8315.....	Track Support Pedestal.....	1
3.....	61-8316.....	Pedestal Coupler.....	1
4.....	62-4267.....	Pivot Cover Mounting Bolt.....	2
5.....	62-4268.....	Center Ramp.....	1
6.....	101-10412.....	Ski Guide Plate.....	1
7.....	103-0165.....	Track Support Channel, Aluminum.....	1
8.....	190-0230.....	Short Poly Spacer.....	2
9.....	190-0231.....	Long Poly Spacer.....	2
10.....	190-0232.....	Rung Cover.....	14
11.....	190-0233.....	Lower Ram Cover.....	2
12.....	190-0234.....	Pivot Stop Cover.....	2
13.....	190-0235.....	Ski Guide.....	2
14.....	190-0236.....	Spacer.....	2
15.....	190-0237.....	Shim.....	4
16.....	190-0238.....	Pivot Cover.....	2
17.....	201-0443.....	3/8"-16 x 1" Hex Head Bolt, Grade 5, ZP.....	2
18.....	201-1123.....	1/2"-13 x 1" Hex Head Bolt, Grade 5, ZP.....	4
19.....	201-1125.....	1/4"-10 x 1-1/2" Rounded Head Torx, ZP.....	4
20.....	201-1126.....	#10-14 x 3/4" Flat Head Torx, ZP.....	4
21.....	201-1128.....	#10-16 x 3/4" Round Head Torx, Self Drill, SS.....	49
22.....	202-0071.....	3/8"-16 Hex Flange Whiz Lock Nut, ZP.....	2
23.....	202-0097.....	5/16"-18 Hex Nylon Insert Lock Nut, ZP.....	2
24.....	290-0625.....	1/2" x 1-1/2" Black Rectangle Cap.....	4
25.....	229-1157(not shown).....	T20 x 2" Torx.....	1



# MR0103 MAD-RAMPS Snowmobile Conversion Kit Installation Instructions

## MAD-RAMPS SNOWMOBILE KIT ASSEMBLY GUIDE

### Step 1:

1a. Place the left ramp of your original MAD-RAMPS on the ground with the top facing downward.



1b. Place the lower poly ramp cover on the end of ramp with reflective tape. Using a T-25 Torx bit secure the two (2) self drilling screws.



1c. Center and secure rung covers to each rung with two (2) self drilling screws. There are seven (7) rung covers per ramp.



1d. Repeat steps 1a-1c on right ramp.

# MR0103 MAD-RAMPS Snowmobile Conversion Kit Installation Instructions

## Step 2:

2a. Slide coupler onto main arm, then down to light bar.



2b. Reinstall pivot bar. **Note:** Bolts should be torqued to 70 ft/lbs.



2c. Place pedestal in coupler. Do not secure coupler at this time.



2d. Install polycarbonate spacers. Install both the 10" and 2" spacers toward inside of pivot bar.  
**Note:** Spacers must be used in wide setting for snowmobiles.



# MR0103 MAD-RAMPS Snowmobile Conversion Kit Installation Instructions

2e. Install two (2) retainer clips, one behind the pivot bar and one in front of the rear marker light.



2f. Once Step 2 is complete the set-up should look as shown.



## Step 3:

3a. Install left pivot cage and place poly pivot cover on pivot cage.



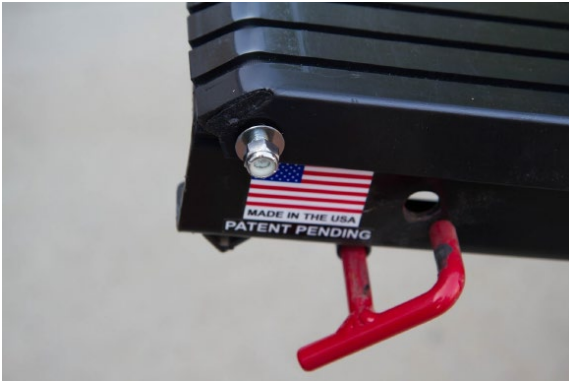
3b. Install four (4) 5/16" x 16-3/4" bolts as shown, two (2) per side.





# MR0103 MAD-RAMPS Snowmobile Conversion Kit Installation Instructions

3c. Install four (4) 5/16" washers and nylon lock nuts. Do not fully tighten at this time.



3d. Tighten all four (4) nuts until snug. Leave a minimum of 2-3 full threads sticking out past the nylon lock nut.



3e. Repeat steps 3a-3d on right pivot cage.



# MR0103 MAD-RAMPS Snowmobile Conversion Kit Installation Instructions

## Step 4:

4a. Pre-thread four (4) 1/2" jam bolts into coupler.



4b. With coupler approx 1/4" from light bar secure coupler by torquing side jam bolt to 70 ft/lbs.



4c. Next torque bottom jam bolt to 70 ft/lbs.



4d. Then torque upper two (2) jam bolts to 70 ft/lbs.



# MR0103 MAD-RAMPS Snowmobile Conversion Kit

## Installation Instructions

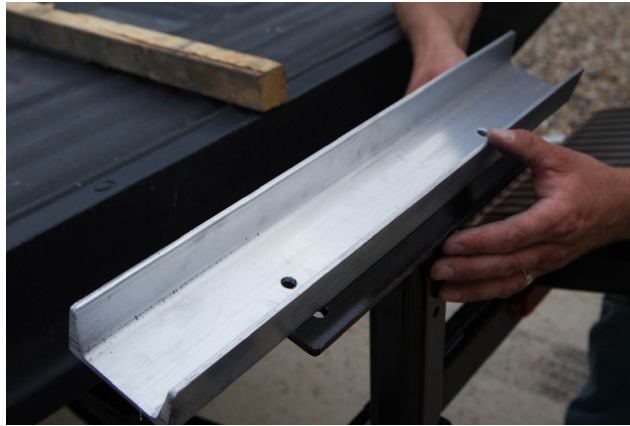
### Step 5:

5a. Place aluminum channel track support on pedestal, it can be secured in two (2) different locations to offer custom fit for machine/truck combinations. The higher the position of the aluminum channel, the more weight placed on the pedestal. This also allows for greater tailgate clearance.

**Note:** Start aluminum channel at lowest and move to highest position setting as needed.



**Position 1**



**Position 2**

5b. Secure using two (2) 3/8" x 1-1/2" Grade 8 bolts with washers and nylon lock nuts. Torque to 23 ft/lbs.



### Step 6:

6a. Place folding ramp onto pivot bar.



# MR0103 MAD-RAMPS Snowmobile Conversion Kit Installation Instructions

6b. Turn/rotate the lever on the quick clamps in or out to adjust tension. Clamps should be snug.



6c. Once adjusted fold levers down.



6d. Install pivot stop into pivot cage. Do this for both ramps.



6e. Snowmobile conversion kit fully installed.



**Note:** Pivot stops and folding center ramp must be removed and secured before transport.



# MR0103 MAD-RAMPS Snowmobile Conversion Kit

## Installation Instructions

The Bed Guards for the MAD-RAMPS Pivoting Ramp System are an essential accessory for trucks to help protect the tailgate and box from damage. The carbides under most snowmobile skis are sharp enough to eventually cut through the metal of the tailgate and box.

**USE CAUTION THE EDGES MAY BE SHARP**

### Installing & Using MAD-RAMPS Bed Guards

#### Step 1:

Included are four (4) 1/4" thick poly shims and torx screws. Up to two (2) can be added to the front or back of each poly stop. Shims are necessary if the gap between the tailgate and box is over 3/4". This is due to the variances in different makes and models of trucks. Be sure to keep extra or unused items for possible future use.

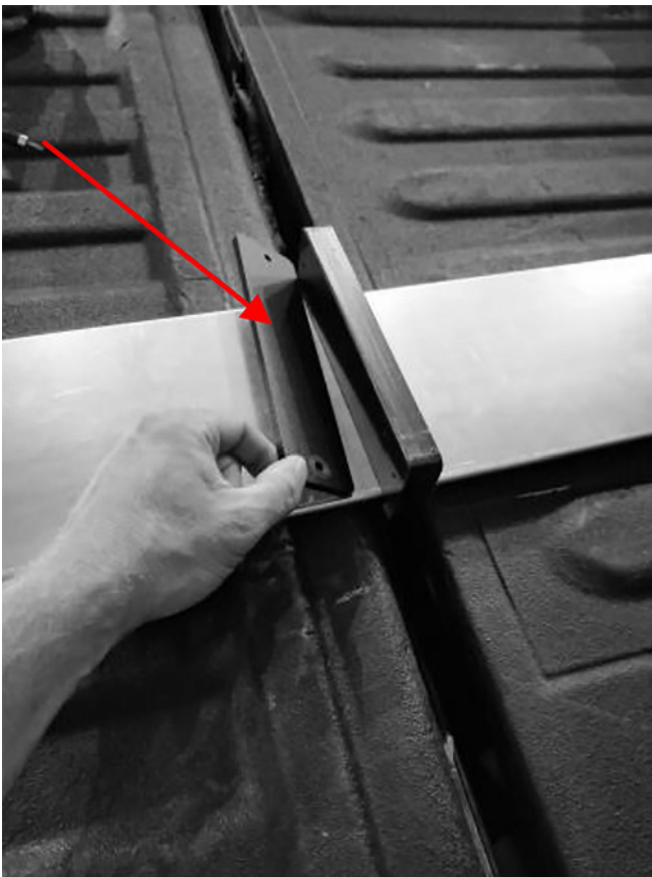


Figure 1

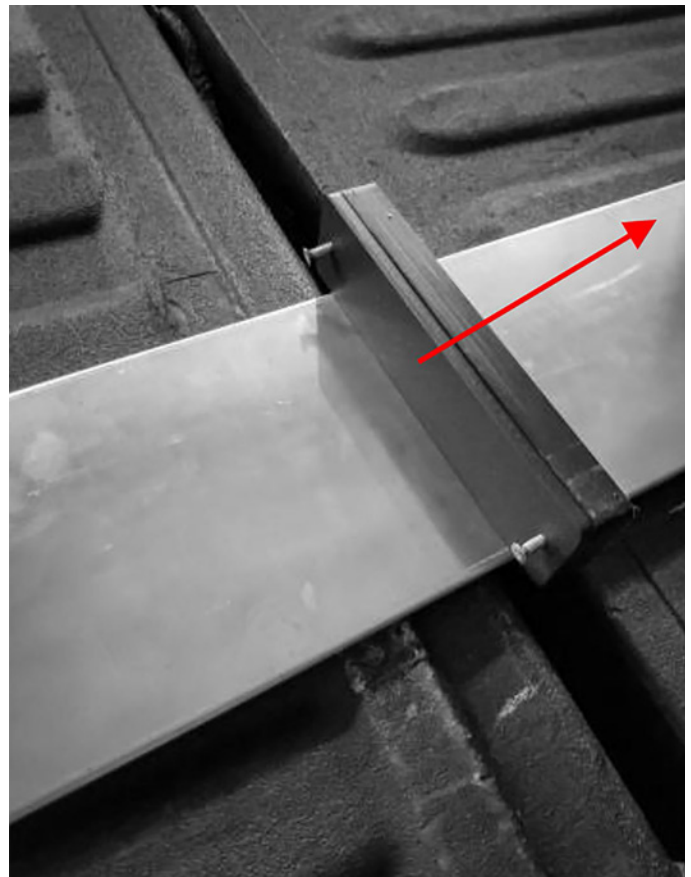


Figure 2

# MR0103 MAD-RAMPS Snowmobile Conversion Kit

## Installation Instructions

**STEP 2:**

Simply line up the Bed Guards with the stance of your machines skis. **Note:** Bed Guards must be removed and stored before traveling when not in use.



Figure 3



Figure 4



Figure 5

# MR0103 MAD-RAMPS Snowmobile Conversion Kit

## Installation Instructions

### **Switching Ramp System from Snowmobile to ATV/UTV/Golf Cart**

1. Remove pivot cage poly covers.
2. Loosen the two (2) jam bolts on pedestal.
3. Remove pedestal.
4. Standing behind truck remove drivers side aluminum ramp from pivot cage. Flip over ramp and insert into passenger side pivot cage. Be sure the plastic covers are face down. Do the same with the remaining ramp.
5. Remove and store Bed Guards.

# MR0103 MAD-RAMPS Snowmobile Conversion Kit

## Installation Instructions

### **WARRANTY**

#### **LIMITED WARRANTY ON THE MAD-RAMPS PIVOTING RAMP SYSTEM**

**THIS LIMITED WARRANTY GIVES YOU SPECIFIC LEGAL RIGHTS AND YOU MAY ALSO HAVE OTHER RIGHTS, WHICH MAY VARY FROM STATE TO STATE.**

**WE WARRANT THAT, DURING THE WARRANTY PERIOD, THIS PRODUCT WILL BE FREE FROM DEFECTS IN MATERIALS AND WORKMANSHIP.**

**WE LIMIT THE DURATION AND REMEDIES OF ALL IMPLIED WARRANTIES, INCLUDING WITHOUT LIMITATION THE WARRANTIES OF MERCHANTABILITY AND FITNESS FOR A PARTICULAR PURPOSE, TO THE DURATION OF THIS EXPRESS LIMITED WARRANTY.**

**SOME STATES DO NOT ALLOW LIMITATIONS ON HOW LONG AN IMPLIED WARRANTY LASTS, SO THE ABOVE LIMITATION MAY NOT APPLY TO YOU. OUR RESPONSIBILITY FOR DEFECTIVE GOODS IS LIMITED TO REPAIR OR REPLACEMENT AS DESCRIBED BELOW IN THIS WARRANTY STATEMENT.**

#### **WHO MAY USE THIS WARRANTY?**

MAD-RAMPS (“we”) extends this limited warranty only to the consumer who originally purchased the product (“you”). It does not extend to any subsequent owner or other transferee of the product.

#### **WHAT DOES THIS WARRANTY COVER?**

This limited warranty covers defects in materials and workmanship of the MAD-RAMPS Pivoting Ramp System (the “product”) for the Warranty Period.

#### **WHAT DOES THIS WARRANTY NOT COVER?**

This limited warranty does not cover any damage due to: (a) transportation; (b) storage; (c) improper use; (d) failure to follow the product instruction or to perform any preventive maintenance; (e) modifications; (f) unauthorized repair; (g) normal wear and tear; (h) external causes such as accidents, abuse, or other actions or events beyond our reasonable control; (i) use of the Product for commercial or rental purposes; or (j) for any use of the product outside the United States.

#### **WHAT IS THE PERIOD OF COVERAGE?**

This limited warranty starts on the date of your purchase and lasts for one year (“Warranty Period”). The Warranty Period is not extended if we repair or replace the product. We may change the availability of this limited warranty at our discretion, but any changes will not be retroactive.



# MR0103 MAD-RAMPS Snowmobile Conversion Kit

## Installation Instructions

### **WHAT ARE YOUR REMEDIES UNDER THIS WARRANTY?**

With respect to any defective product during the Warranty Period, we will, in our sole discretion, either repair or replace the product (or the defective part) free of charge. We will also pay for shipping and handling fees to return the repaired or replacement product to you if we elect to repair or replace the defective product.

### **LIMITATION OF LIABILITY**

**THE REMEDIES DESCRIBED ABOVE ARE YOUR SOLE AND EXCLUSIVE REMEDIES AND OUR ENTIRE LIABILITY FOR ANY BREACH OF THIS LIMITED WARRANTY. OUR LIABILITY UNDER NO CIRCUMSTANCES EXCEEDS THE ACTUAL AMOUNT PAID BY YOU FOR THE DEFECTIVE PRODUCT, NOR ARE WE UNDER ANY CIRCUMSTANCES LIABLE FOR ANY CONSEQUENTIAL, INCIDENTAL, SPECIAL OR PUNITIVE DAMAGES OR LOSSES, WHETHER DIRECT OR INDIRECT.**

### **TECHNICAL SPECIFICATIONS**

Product Length (fully assembled in highway travel position)	48 inches
Product Width (fully assembled in any position)	60 inches
Product Weight (fully assembled)	151 pounds
Maximum Load Capacity (lb.)	Supports gross machine weight of 1400 lbs. and supports vertical load of 800 lbs. once machine is loaded.