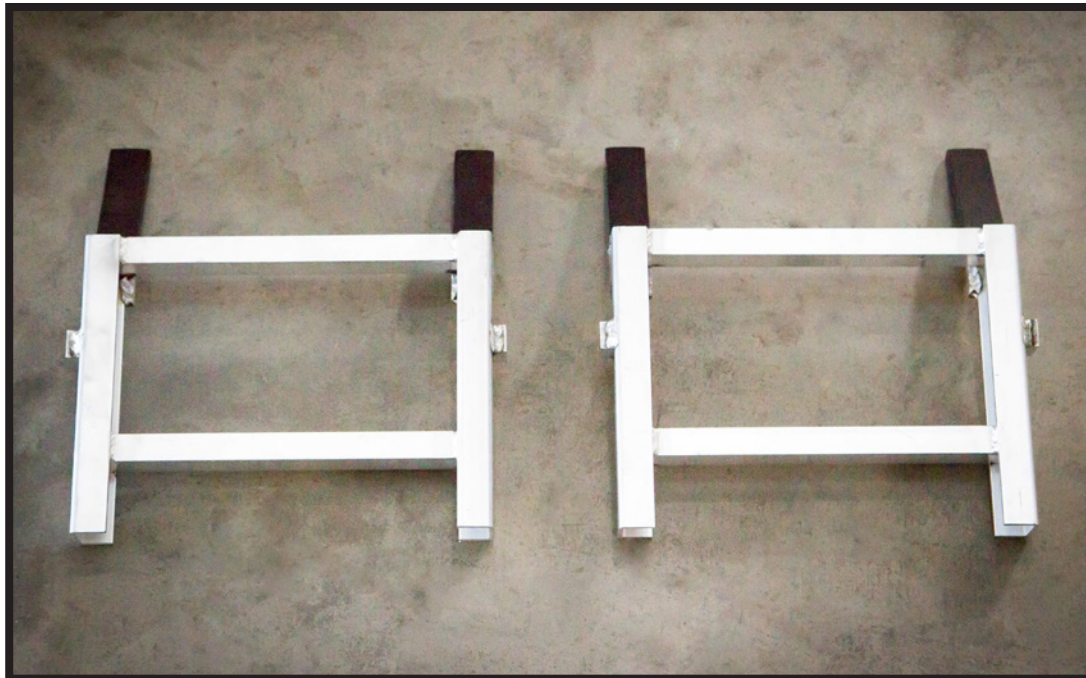


MAD-RAMPS™

MR0102
MAD-RAMPS Pivot Stops
Installation Instructions

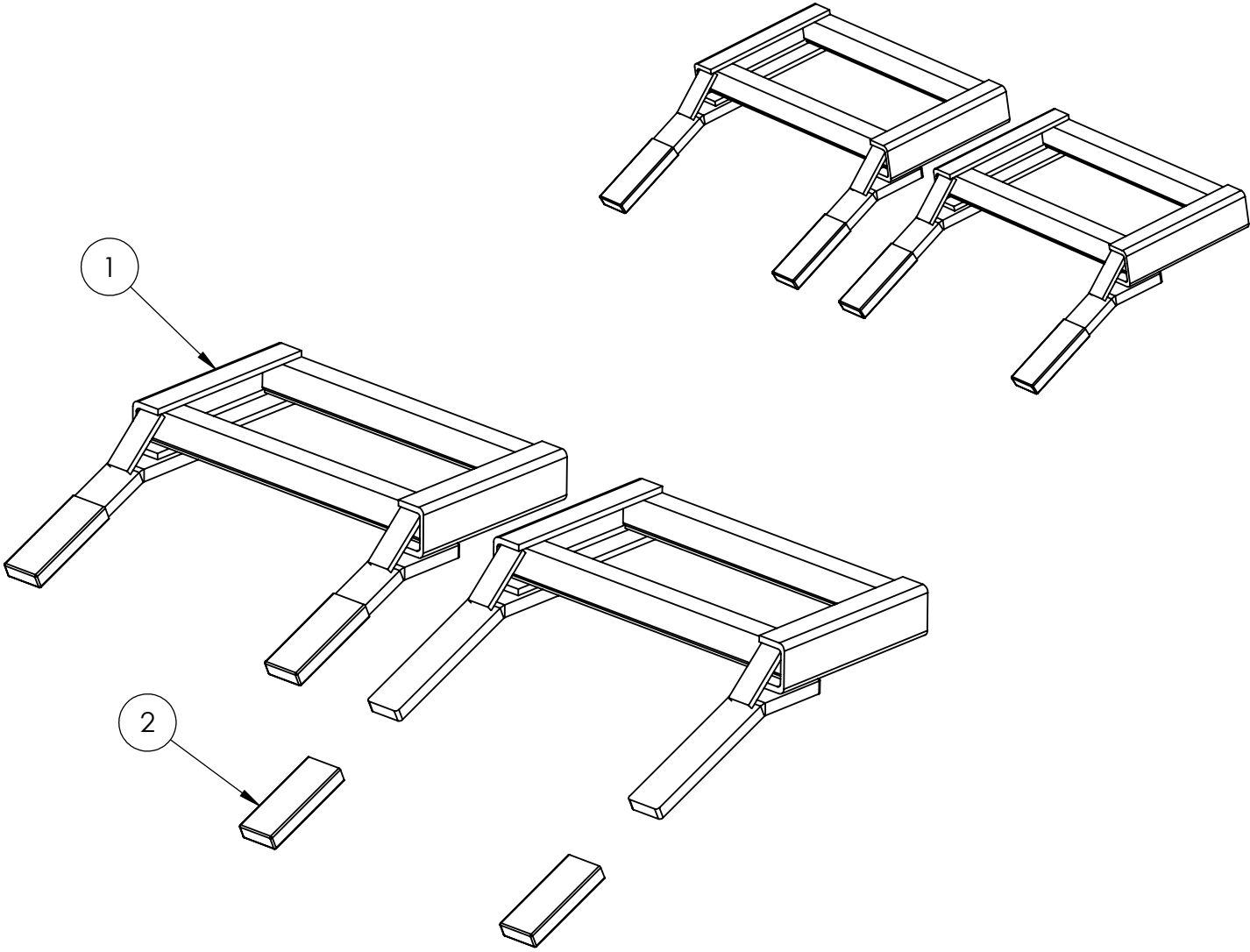


THE MAD-RAMPS PIVOT STOPS KIT OWNER'S MANUAL

Please read this manual entirely prior to assembly or operation of
the MAD-RAMPS with Pivot Stops Kit.

MR0102 MAD-RAMPS Pivot Stops

Installation Instructions



Item No.	Part No.	Description	Qty.
1.....	61-8312.....	Pivot Stop	2
2.....	290-0625.....	1/2" x 1-1/2" Black Rectangular Cap	4

MR0102 MAD-RAMPS Pivot Stops

Installation Instructions

The MAD-RAMPS Pivot Stops are specifically designed to allow users of the MAD-RAMPS Pivoting Ramp System to load a machine entirely into the bed of a truck, and are strongly recommended if you intend to transport a machine in this manner.

Installing & Using MAD-RAMPS Pivot Stops

Step 1:

To use the Pivot Stops, insert one Pivot Stop into the front end of one Pivot Cage, with the Pivot Stop's fingers angled down toward the tailgate (Figure 1). The Pivot Stops are interchangeable between the left and right sides and are not side specific. Ensure that the Pivot Stop is inserted into the Pivot Cage as far as it will go. Repeat the process once more for the Pivot Stop and the Pivot Cage on the other side. The Pivot Stops will fill the gap between the end of the Pivot Cages and your truck's tailgate (Figure 2), preventing the ramps from swiveling down as your ATV/UTV passes over the Pivot Stops. This will also enable your machine to transition smoothly from the ramps to the bed of your truck (Figure 3, found on page 4).



Figure 1

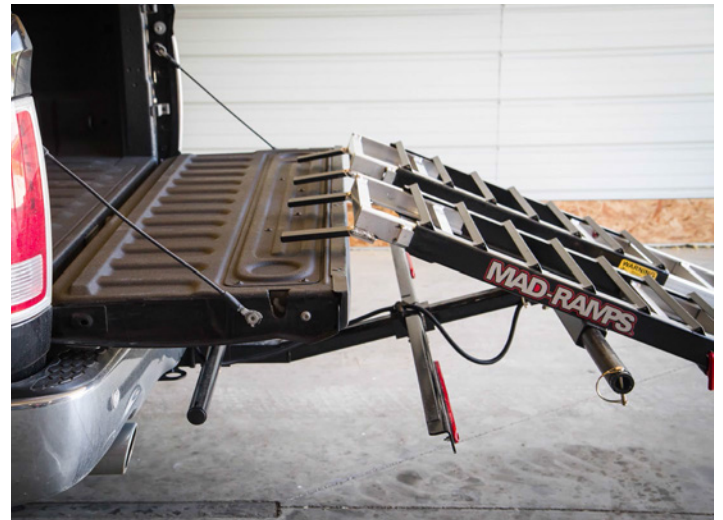


Figure 2

MR0102 MAD-RAMPS Pivot Stops Installation Instructions



STEP 2:

To remove the Pivot Stops, once you have loaded your machine, simply pull them out of the end of each Pivot Cage, and safely stow them so they are ready for future use.

STEP 3:

To unload your machine, simply re-insert the Pivot Stops into the Pivot Cages to once again fill the gap between the end of the Pivot Cages and your truck's tailgate.