

MAD-RAMPS™

MR0101
MAD-RAMPS Poly Spacer
Installation Instructions

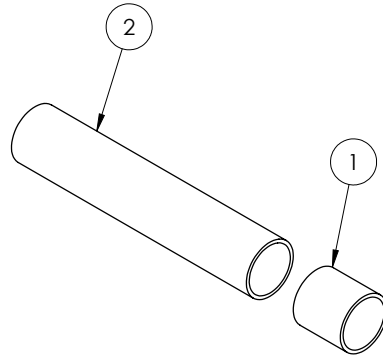
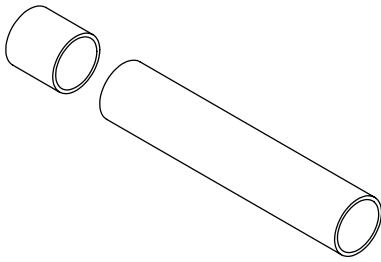


THE MAD-RAMPS POLY SPACERS OWNER'S MANUAL

Please read this manual entirely prior to assembly or operation of the MAD-RAMPS with Poly Spacers.

MR0101 MAD-RAMPS Poly Spacer

Installation Instructions



Item No.	Part No.	Description	Qty.
1.....	190-0230	Poly Spacer, Short.....	2
2.....	190-0231	Poly Spacer, Long	2

Attach poly spacers to the pivot bar to keep ramps from shifting during transport and loading. These polycarbonate spacers are included in the MAD-RAMPS Snowmobile Kit and are required to make the quick clamps on your center ramp work

