

INSTALLATION INSTRUCTIONS AND PARTS LIST

FOR MOUNTING 209918SB SHORT BOX EXTENSION SIDE ENTRY STEPS ON:
1999 AND NEWER CHEVROLET SILVERADO & GMC SIERRA PICKUPS

1. READ INSTRUCTIONS COMPLETELY AND CHECK TO MAKE SURE THAT ALL REQUIRED PARTS (LISTED ON SERVICE PARTS LIST) ARE ON HAND BEFORE STARTING THE INSTALLATION.
2. PEEL AWAY THE PROTECTIVE VINYL COVERING AND CLEAN THE TOP OF EACH STEP PLATE TO REMOVE ANY VINYL COVERING RESIDUE. RUBBING ALCOHOL OR A GOOD GLASS CLEANER SUCH AS WINDEX IS SUGGESTED.
3. ASSEMBLE THE SIDE STEP EXTENSIONS AS FOLLOWS.
 - 3.1 ASSEMBLE THE FRONT AND REAR RIGHT HAND BRACKET TUBES (ITEMS #6 & #8) TO THE BRACKET LOOP (ITEM #5) USING THE ¼-20 X 2-3/4" HEX BOLTS (ITEM #15) AND THE ¼-20 NY-LOCK NUTS (ITEM #19) AS SHOWN IN FIG.1. **[FIG. 2 IS FOR 2007+ VEHICLES]**
 - 3.2 ATTACH THE STEP PLATE ASSEMBLY (ASSEMBLED ITEMS #1, #2, #3, #10 & #18) TO THE MOUNTING BRACKET TUBES (ITEMS #6 & #8) USING THE #10-24 X 1-1/2" CARRIAGE BOLTS (ITEM #14), NEOPRENE WASHERS (ITEM #24) AND THE #10-24 FLANGE NUTS (ITEM #17) AS SHOWN IN FIG. 1. **[FIG. 2 IS FOR 2007+ VEHICLES]**
USE BRACKET (ITEM # 27) OF (ITEM # 4) ON THE REAR APPLICATION
4. MARK THE END OF THE TWO (2) BOX CROSS-MEMBERS IN THE CENTER (1" FROM THE SIDE) AND ½" IN FROM THE END, AND DRILL A 25/64" OR A 13/32" DIAMETER HOLE. SEE FIG. 1.
5. REMOVE THE TWO (2) FACTORY BOLTS THAT SECURE THE BOX TO THE FRAME.
6. ATTACH THE UPPER MOUNTING BRACKETS (ITEM #4) TO THE BOX CROSS-MEMBERS AS FOLLOWS: INSTALL THE 3/8" U-NUTS (ITEM #20) TO THE NUT PLATES (ITEM #13) AND INSERT THEM INTO THE END OF THE BOX CROSS-MEMBER. INSTALL THE 3/8-16 X 1-1/4" HEX BOLTS (ITEM #16), FLAT WASHERS (ITEM #22) AND LOCK WASHERS (ITEM #21) UP THRU THE OBOURND HOLE IN THE MOUNTING BRACKET AND INTO THE U-NUT (ITEM #20). LEAVE THESE FASTENERS FINGER TIGHT. **[FIG. 2 IS FOR 2007+ VEHICLES WHICH WILL NOT REQUIRE ANY DRILLING].** USE BRACKET (ITEM #27) INSTEAD OF (ITEM #4) ON THE REAR APPLICATION.
7. INSTALL THE RIGHT HAND MUD SHIELD (ITEM #11) TO THE LOWER FLANGE OF THE OUTSIDE BOX PANEL. (**NOTE:** NOTCHED TO CLEAR FENDER BRACE RODS.) BECAUSE OF THE WARPING OF THE MUD SHIELD INTO AN ARC IT MAY BE NECESSARY TO SECURE THE ENDS OF THE MUD SHIELD TO THE FENDER PANEL WITH THE #8 X 1 TEK SCREWS (ITEM #23) PROVIDED IN THE FASTENER PACKAGE. USE ONE ON EACH END APPROXAMATELY ½" IN FROM EACH END. PRE-DRILL A 1/8" DIAMETER HOLE FOR THE SCREW.
8. 2014 SILVERADO & SIERRA STEP INSTALLATION.
 - 8.1 REMOVE WIND DEFLECTOR ON THE FRONT OF THE REAR WHEEL WELL
 - 8.2 PLACE STEP ON THE BRACKETS, SEE IF THERE IS ANY INTERFERANCE WITH THE BACK PLASTIC PIECE ON THE STEP AND THE BODY. IF THERE IS THE PLASTIC PIECE ON THE STEP CAN BE TRIMMED TO FIT.
9. POSITION THE SIDE ENTRY STEP ASSEMBLY UP INSIDE THE BOX, SO THAT THE HOLES IN THE BRACKET LOOPS (ITEM #5), LINE UP WITH THE HOLES IN THE UPPER MOUNTING BRACKET AND THE HOLES IN THE MOUNTING BRACKETS (ITEMS #6 & #8), LINE UP WITH THE HOLES WHERE THE BOX IS FASTENED TO THE FRAME.



INSTALLATION INSTRUCTIONS AND PARTS LIST

10. RE-INSTALL THE FACTORY MOUNTING BOLTS TO SECURE THE BOX AND THE SIDE ENTRY STEP TO THE FRAME. INSTALL THE 5/16-18 X 1.00" CARRIAGE BOLTS (ITEM #25) THRU THE SLOTTED HOLES IN THE UPPER MOUNTING BRACKETS AND THE FLAT SWAGES OF THE BRACKET LOOP AND NUT WITH 5/16-18 SERRATED FLANGE NUTS (ITEM #26).
11. REPEAT STEPS #3 - #10 TO INSTALL THE SIDE ENTRY STEP LEFT SIDE OF THE VEHICLE AND TIGHTEN ALL FASTENERS.

SERVICE PARTS LIST

ITEM	PART NO.	QTY	DESCRIPTION
1	549429	2	STEP PLATE – SES, 209918SB
2	104250	2	END CAP-RH FRONT/LH REAR
3	104251	2	END CAP-LH FRONT/RH REAR
4	549387	4	BRACKET– MTG, UPPER, 209918 SER
5	549388	2	BRACKET LOOP – RH/LH, 209918SB
6	549432	1	BRACKET TUBE – MOUNTING, FRONT, RH, 209918SB
7	549433	1	BRACKET TUBE – MOUNTING, FRONT, LH, 209918SB
8	549434	1	BRACKET TUBE – MOUNTING, REAR, RH, 209918SB
9	549435	1	BRACKET TUBE – MOUNTING, REAR, LH, 209918SB
10	105501	2	PAD- SES, SPECIAL, 5.50" X 5.50" LG
11	549436	1	MUD SHIELD – RH, 209918SB
12	549438	1	MUD SHIELD – LH, 209918SB
13	549437	4	NUT PLATE – 209918SB
14	104389	8	BOLT-CARRIAGE, SST, #10-24 X 1-1/2"
15	104391	4	SCREW – CAP, HEX HD, ¼-20 X 2-3/4", ZP
16	100047	4	SCREW – CAP, HEX HEAD, 3/8-16 X 1-1/4"
17	104261	8	NUT - SERR FLANGE, HEX, SST, #10-24
18	104257	16	NUT-HEX, SINGLE SELF THDG, CAP WASHER, 1/4"
19	102375	4	NUT – HEX, NY-LOCK, ¼-20, ZP
20	104282	4	NUT - U, MULTI THD, 3/8-16
21	100059	4	WASHER – LOCK, 3/8"
22	100062	4	WASHER – FLAT, 3/8"
23	103435	4	SCREW – TEK, SEMS, OVAL, XREC, #8 X 1, BLACK
24	104530	8	WASHER – FLAT, NEOPRENE, .200 SQ X .468
25	100021	8	BOLT- CRG, 5/16-18 UNC X 1.00, STL, ZP
26	100178	8	NUT- SERR FLG, HEX, 5/16-18 UNC, STL, ZP
27	550138	2	BRACKET-MTG,UPPER 480714



SERVICE PARTS LIST

MODEL NO. - 209918SB

FOR THE 1999 - 2007 TRUCKS

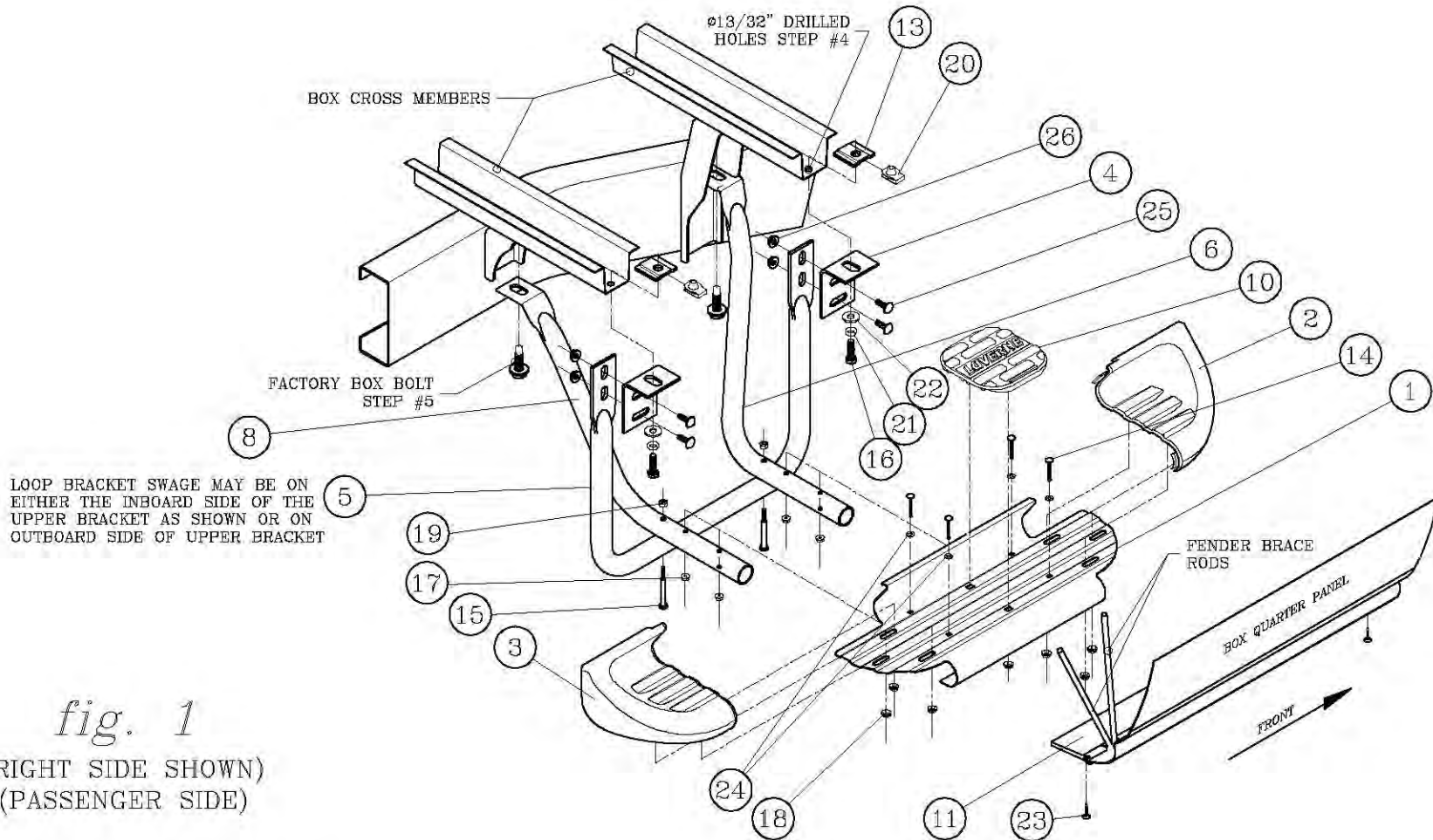


fig. 1

(RIGHT SIDE SHOWN)
(PASSENGER SIDE)



SERVICE PARTS LIST

MODEL NO. - 209918SB

INSTALLATION ADDENDUM
FOR THE 2007 AND NEWER TRUCKS

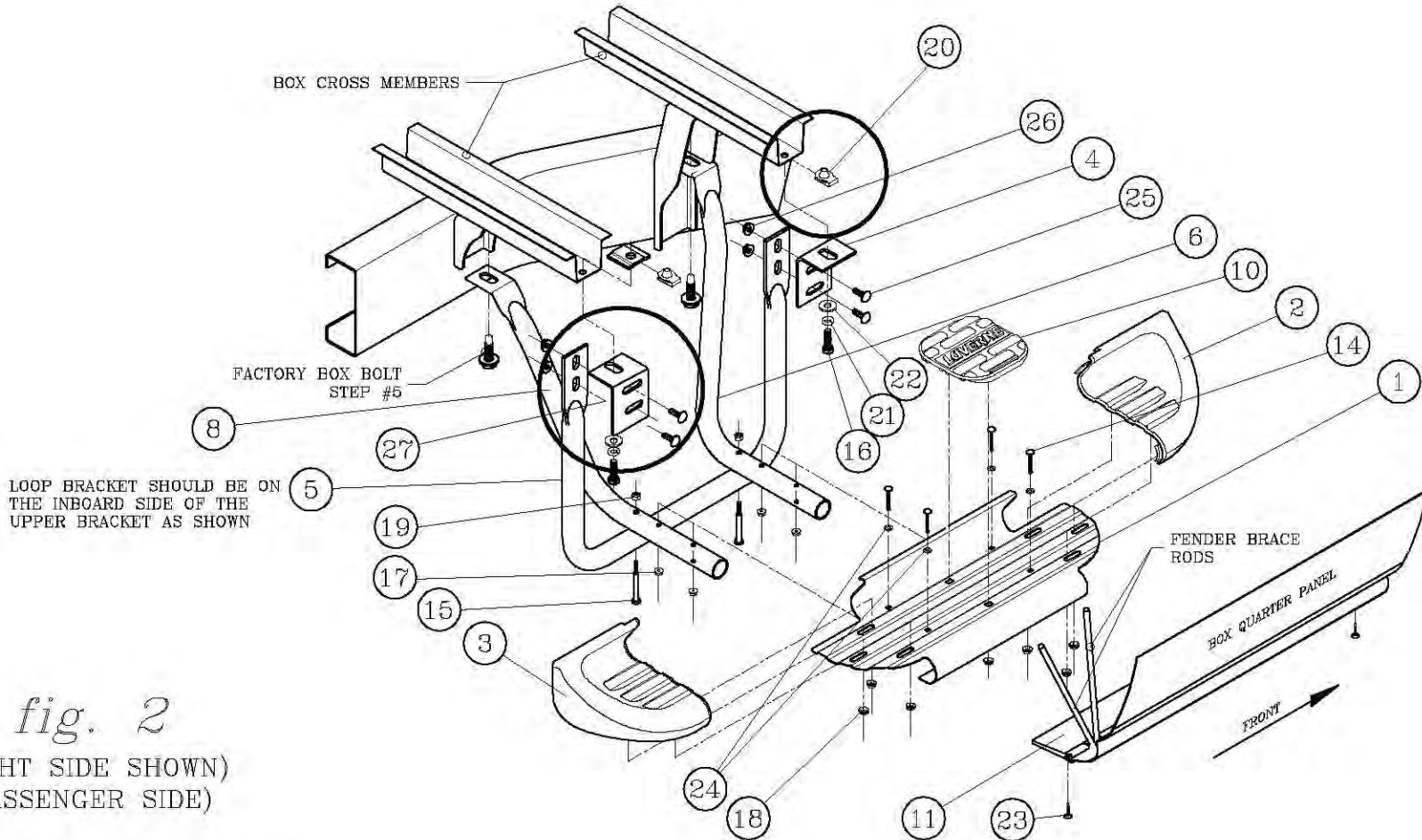


fig. 2

(RIGHT SIDE SHOWN)
(PASSENGER SIDE)

